

Notes:

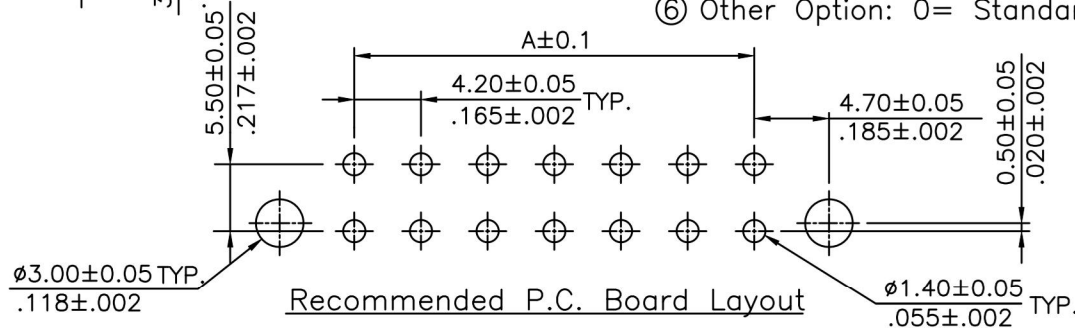
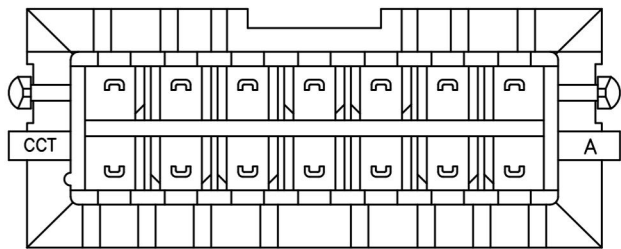
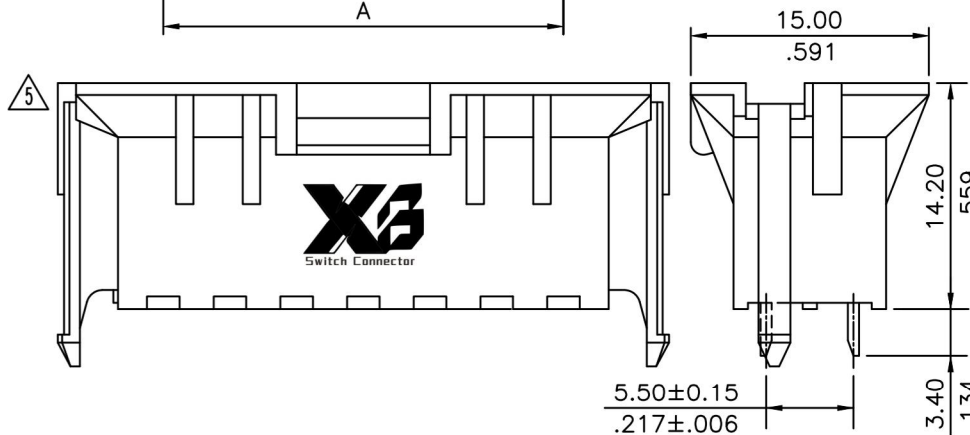
- Material:  
Insulation: Nylon 6, Color Nature  
Contact: Brass
- Glow wire requirement:  
IEC 60695-2-12 GWFI  
960°C@0.38mm & 930°C@0.75mm  
& 960°C@1.50mm & 960°C@3.00mm  
IEC 60695-2-11 GWEPT 750°C ≤2S
- For Tin-Lead Wave Flow Process
- With drain holes shown

Ordering Code:

CP-01 3 \*\* I H 0  
① ② ③ ④ ⑤ ⑥

- Series No.
- Type of Connector:  
3= Straight PCB mount header
- No of Circuits: See below table
- Plating Code:  
1= Tin Plated over Nickel  
A= Selective gold flash plated over 1.27μm(50μ") Nickel  
B= Selective 0.38μm(15μ") gold plated over 1.27μm(50μ") Nickel  
C= Selective 0.76μm(30μ") gold plated over 1.27μm(50μ") Nickel  
I= Selective 0.38μm(15μ") gold plated over contact area & gold flash plated over solder tail above 1.27μm(50μ") Nickel  
J= Selective 0.76μm(30μ") gold plated over contact area & gold flash plated over solder tail above 1.27μm(50μ") Nickel
- Variation:  
H= UL 94V-2, B.M.I type  
(Glow wire test approval)
- Other Option: 0= Standard

Circuits	Dimension	
	A	B
4	4.20(.165)	15.1(.594)
6	8.40(.331)	19.3(.760)
8	12.60(.496)	23.5(.925)
10	16.80(.661)	27.7(1.091)
14	25.20(.992)	36.1(1.421)
16	29.40(1.157)	40.3(1.587)
18	33.60(1.323)	44.5(1.752)
24	46.20(1.819)	57.1(2.248)



Tin-Lead Process  
RoHS Compliant

SYM	NAME	DATE	REVISIONS	APPROVED BY:	DATE	UNIT:	TITLE:	DRAWING NO. PART NO. SCALE			
⑤	Sandy	5/6-21'	ECNT121112			mm / inch	4.2mm(.165") PITCH	CP0149AF CP-013***HO 2 / 1			
④	Sandy	3/15-21'	ECNT121071/ECRT121011	DRAWN BY: Sandy	5/13-21'	TOLERANCE UNLESS OTHERWISE SPECIFIED .X ± 0.38/.015 .X' ± r' .XX ± 0.25/.010 .X" ± .XXX ± 0.10/.004 .XX" ±	BMI TYPE PLUG CONNECTOR	DONG GUAN XI BANG ELECTRONICS CO., LTD.			
③	Kenny	8/26-20'	ECNT120227	ENGINEER: Sun	5/14-21'			MATERIAL:	SHEET 1 OF 1		
②	Enya	4/22-13'	ECN13088-0	CHECKED BY: David	5/14-21'			FINISH:			