

Notes:

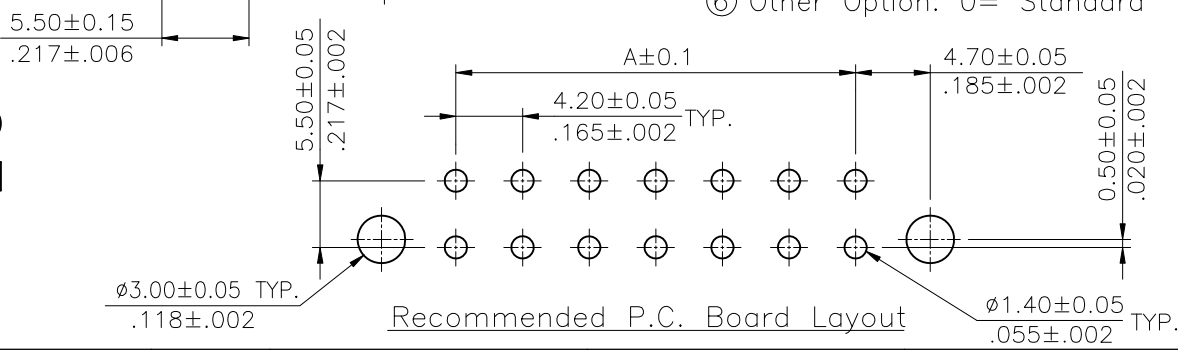
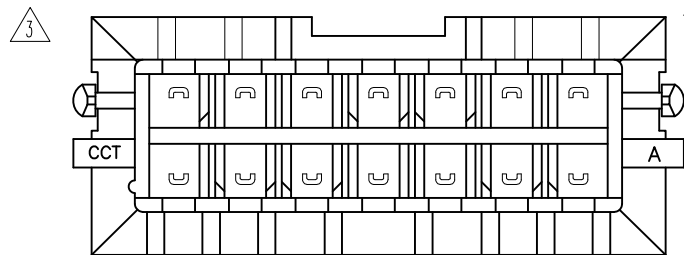
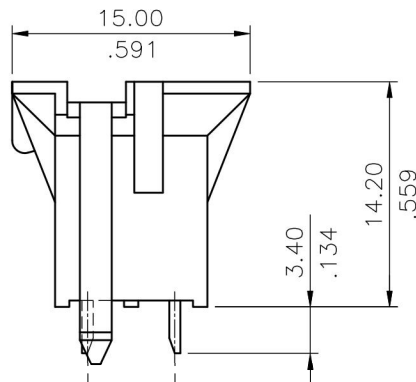
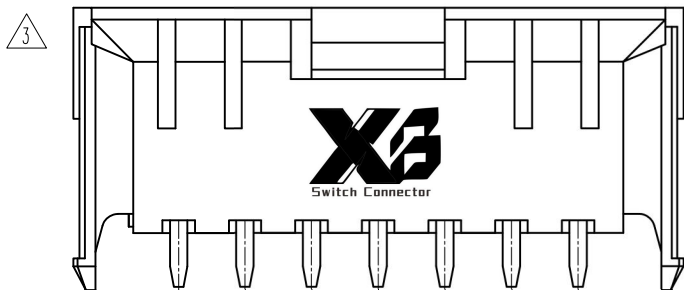
- * Insulation: Nylon 66, Color Nature
- * Contact: Brass
- * For Tin-Lead Wave Flow Process
- △ * With drain holes shown

Ordering Code:

CP-01 3 ** I * 0
 ① ② ③ ④ ⑤ ⑥

Circuits	Dimension	
	A	B
4	4.20(.165)	15.1(.594)
6	8.40(.331)	19.3(.760)
8	12.60(.496)	23.5(.925)
10	16.80(.661)	27.7(1.091)
14	25.20(.992)	36.1(1.421)
16	29.40(1.157)	40.3(1.587)
18	33.60(1.323)	44.5(1.752)
24	46.20(1.819)	57.1(2.248)

- ① Series No.
- ② Type of Connector:
3= Straight PCB mount header
- ③ No of Circuits: See below table
- △ ④ Plating Code:
1= 2.54μm(100μ") Tin over 1.02μm(40μ") Nickel
A= Selective gold flash plated over 1.27μm(50μ") Nickel
B= Selective 0.38μm(15μ") gold plated over 1.27μm(50μ") Nickel
C= Selective 0.76μm(30μ") gold plated over 1.27μm(50μ") Nickel
I= Selective 0.38μm(15μ") gold plated over contact area & gold flash plated over solder tail above 1.27μm(50μ") Nickel
J= Selective 0.76μm(30μ") gold plated over contact area & gold flash plated over solder tail above 1.27μm(50μ") Nickel
- ⑤ Variation:
6= UL 94V-2, B.M.I type
7= UL 94V-0, B.M.I type
- ⑥ Other Option: 0= Standard



Halogen-Free
 Tin-Lead Process
 RoHS Compliant

△	SYM	NAME	DATE	REVISIONS	APPROVED BY:	DATE	UNIT:	TITLE:	MATERIAL:	FINISH:	DRAWING NO.	PART NO.	SHEET
△4							mm / inch	4.2mm(.165") PITCH					
△3	Sandy		3/12-21'	ECNT121071/ECRT121011	DRAWN BY:	Sandy	3/26-21'	BMI TYPE PLUG CONNECTOR					
△2	Enya		4/22-13'	ECN13088-0	ENGINEER:	Sun	3/29-21'						
△1	SUN		9/03/03'	ECN03280	CHECKED BY:	Eisley	4/5-21'						
					APPROVED BY:	Eisley	4/5-21'						

X3 东莞市溪榜电子有限公司
 DONG GUAN XI BANG ELECTRONI CS CO., LTD.

DRAWING NO. CP0124SH PART NO. CP-013***60 CP-013***70
 SCALE 2 / 1 SHEET 1 OF 1