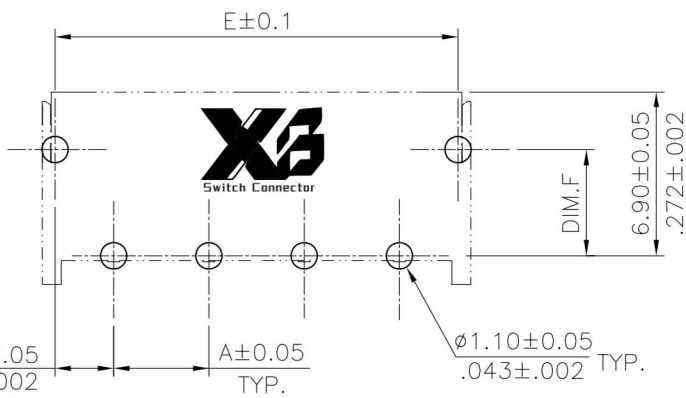
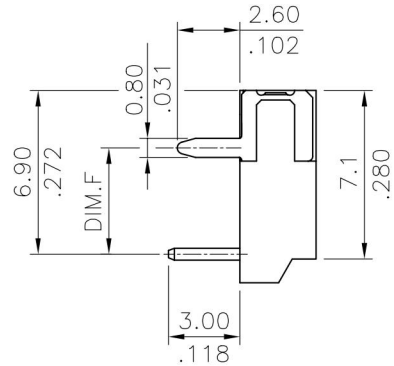
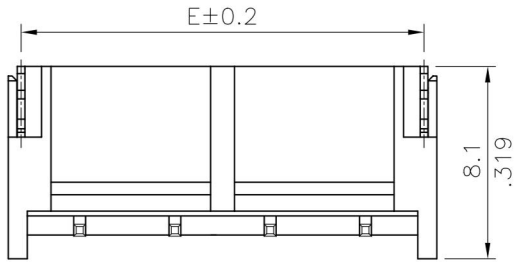


Material:
 Insulator: Nylon 6T + 30% G.F,
 UL 94V-0, Color Nature
 Contact: Brass
 Tab: Brass With Matte Tin Plated



Recommended P.C. Board Layout

Circuits	Dimension				
	A	B	C	D	E
2	4.00	10.00	6.50	4.00	8.90
	8.00	14.00	10.50	8.00	12.90
	12.00	18.00	14.50	12.00	16.90
	16.00	22.00	18.50	16.00	20.90
3	4.00	14.00	10.50	8.00	12.90
	8.00	22.00	18.50	16.00	20.90
4	4.00	18.00	14.50	12.00	16.90
5	4.00	22.00	18.50	16.00	20.90

Ordering Code:

CP04 * * P 1 H T * -NH
 ① ② ③ ④ ⑤ ⑥ ⑦ ⑧ ⑨

- ① Series No.
- ② Circuits: 2, 3, 4 & 5 Pin
- ③ Circuits pitch:
A= 4.0mm, B= 8.0mm, C= 12.0mm, D= 16.0mm
- ④ P= Pin Header
- ⑤ Plating Code:
1= Matte Tin Plated
- ⑥ Contact type: H= Right Angle DIP Type
- ⑦ Packing option: T= Tube Packing
- ⑧ Other option: 0= With metal pegs, DIM.F= 4.45mm
1= With metal pegs, DIM.F= 5.75mm
2= Without metal pegs
- ⑨ -NH= For Leadfree IR Processes and Halogen-Free

Halogen-Free
 Lead Free Process
 RoHS Compliant

4					DATE	UNIT: mm / inch	TITLE: 4.0/8.0/12.0mm PITCH WIRE TO BOARD CONNECTOR	东莞市溪榜电子有限公司 DONG GUAN XI BANG ELECTRONICS CO., LTD.
3				DRAWN BY: Eager	01/30-08'	TOLERANCE UNLESS OTHERWISE SPECIFIED	MATERIAL:	
2				ENGINEER: Easley	02/01-08'	.X ± 0.30/.012 X' ± r	FINISH:	DRAWING NO. CP0461SA
1				CHECKED BY: Easley	02/01-08'	.XX ± 0.20/.008 X' ±		PART NO. CP04**P1HT*-NH
SYM	NAME	DATE	REVISIONS	APPROVED BY: Alex	02/01-08'	.XXX ± 0.10/.004 XX' ±	SCALE	3 / 1
								SHEET 1 OF 1