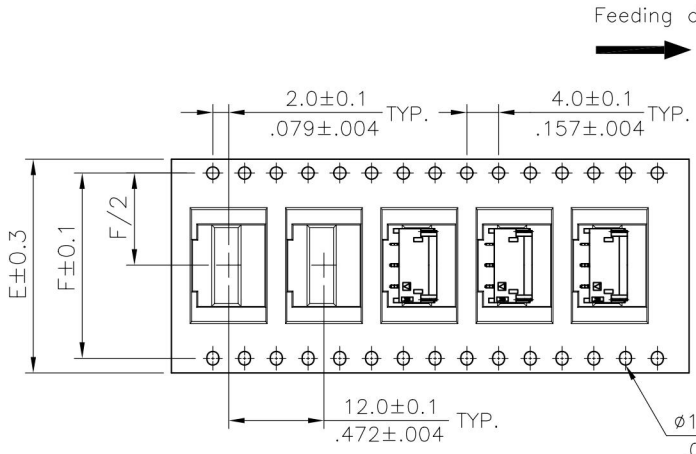
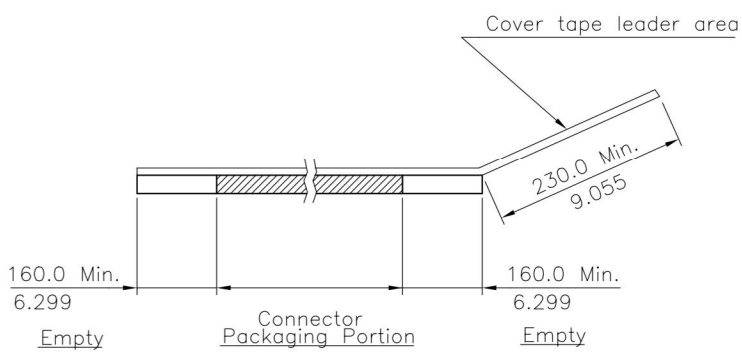


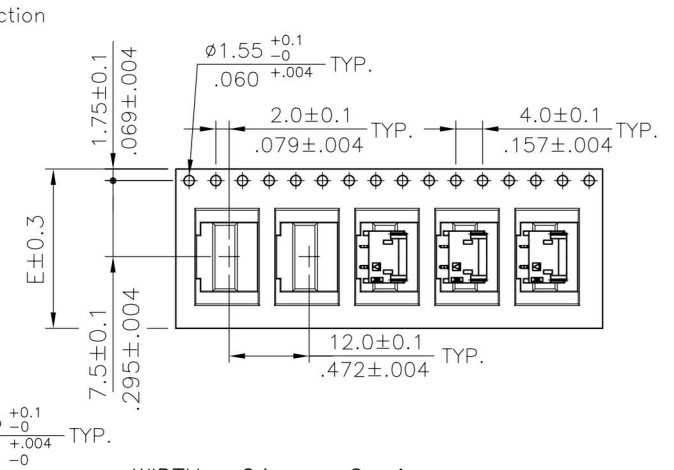
NOTE :

- * Reel Material : HIPS
- * Carrier Material : Clear, Conductive Polystyrene Alloy
- * Cover Tape Material : Polyester
- * Cover Tape Peel Strength : 0.1N – 1.3N
- * Carrier camber is within 1mm in 100mm
- * All dimensions meet EIA-481-B requirements.
- * Quantity : 1000 PCS/Reel

Circuits	Dimension					Packing (Reel/Caton)
	E	F	W1	W2	W3	
2A,2B,3A	24.0(.945)	-	24.5(.965)	30.5(1.200)	24.5(.965)	9
2C,4A	32.0(1.260)	28.40(1.118)	32.5(1.280)	38.5(1.516)	32.5(1.280)	7




WIDTH : 32 mm Carrier



WIDTH : 24 mm Carrier

RoHS Compliant

4					DATE	UNIT: mm / inch	TITLE: 4.0/8.0/12.0/16.0mm PITCH WIRE TO BOARD CONNECTOR	 东莞市溪榜电子有限公司 DONG GUAN XI BANG ELECTRONICS CO., LTD.
3				DRAWN BY: Eager	01/30-08'	TOLERANCE UNLESS OTHERWISE SPECIFIED	MATERIAL:	
2				ENGINEER: Eisley	02/01-08'	.X ±	.X' ± 1'	DRAWING NO. CP0460SA
1				CHECKED BY: Eisley	02/01-08'	.XX ±	.X' ±	PART NO. CP04**P1M*0-NH
SYM	NAME	DATE	REVISIONS	APPROVED BY: Alex	02/01-08'	.XXX ±	.XX' ±	SCALE
								SHEET 2 OF 2