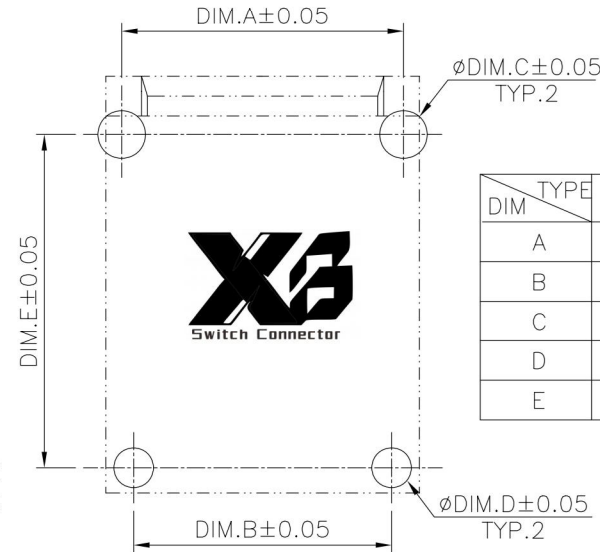
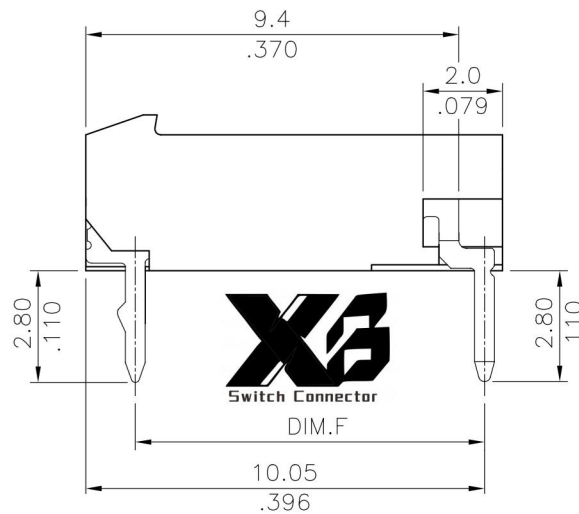
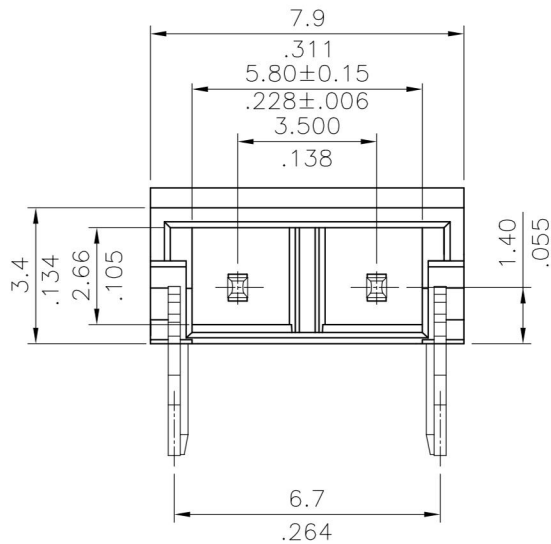
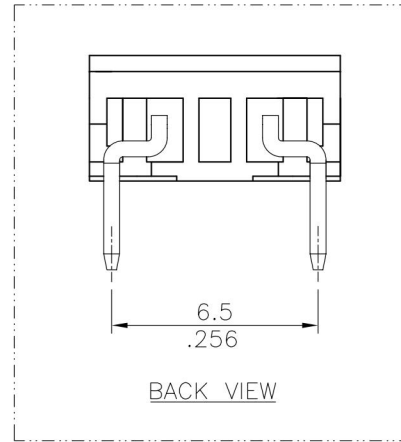


Note:
 Insulator: Nylon 6T+30% G.F UL 94V-0, Color Nature
 Contact: Brass
 Metal Pegs: Brass
 Metal Pegs plating: Matte Tin plated over Nickel

Ordering Code:

CP05 02 P * H L 0 -NH
 ① ② ③ ④ ⑤ ⑥ ⑦ ⑧

- ① Series No.
- ② Circuits: 02
- ③ P= Pin Header
- ④ Plating Code:
1= Tin plated over Nickel
- ⑤ Contact type: H= Right angle DIP Type
- ⑥ Latch option: L= Latch Type
- ⑦ Other option: 0= With metal pegs, DIM.F= 8.80mm
1= With metal pegs, DIM.F= 9.80mm
2= Without metal pegs
- ⑧ -NH= For Lead Free IR Processes and Halogen-Free




DIM TYPE	TYPE 0	TYPE 1
A	7.10(.280)	6.50(.256)
B	6.50(.256)	6.50(.256)
C	1.20(.047)	1.00(.039)
D	1.00(.039)	0.80(.031)
E	8.40(.331)	9.50(.374)

Halogen-Free

Lead Free Process

RoHS Compliant

Recommended P.C. Board Layout

④					DATE	UNIT: mm / inch	TITLE: 3.5mm PITCH WIRE TO BOARD CONNECTOR With Latch Type	 东莞市溪榜电子有限公司 DONG GUAN XI BANG ELECTRONICS CO., LTD.	
③				DRAWN BY: Eager	12/25-07'	TOLERANCE UNLESS OTHERWISE SPECIFIED	MATERIAL:		
②				ENGINEER: Eisley	12/26-07'	.X ± 0.30/.012 X' ± r'	FINISH:		
①				CHECKED BY: Alex	12/26-07'	.XX ± 0.20/.008 .X' ±	DRAWING NO. CP0532SA		
SYM	NAME	DATE	REVISIONS	APPROVED BY: Alex	12/26-07'	.XXX ± 0.10/.004 .XX' ±	PART NO. CP0502P*HLO-NH		
								SCALE 5 / 1	SHEET 1 OF 1