

Ordering Code:

CP05 02 P * M L 0 -NH
 ① ② ③ ④ ⑤ ⑥ ⑦ ⑧

- ① Series No.
- ② Circuits: 02
- ③ P= Pin Header
- ④ Plating Code:
 1= Matte Tin plated over Nickel
 2= Gold flash plated over Nickel
- ⑤ Contact type: M= SMT Type

Material:

Insulator: Nylon 6T+30%GF. UL 94V-0

Color Nature

Contact: Brass

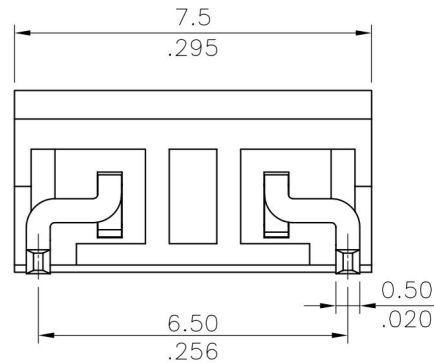
Fixed Tab: Brass

Plating:

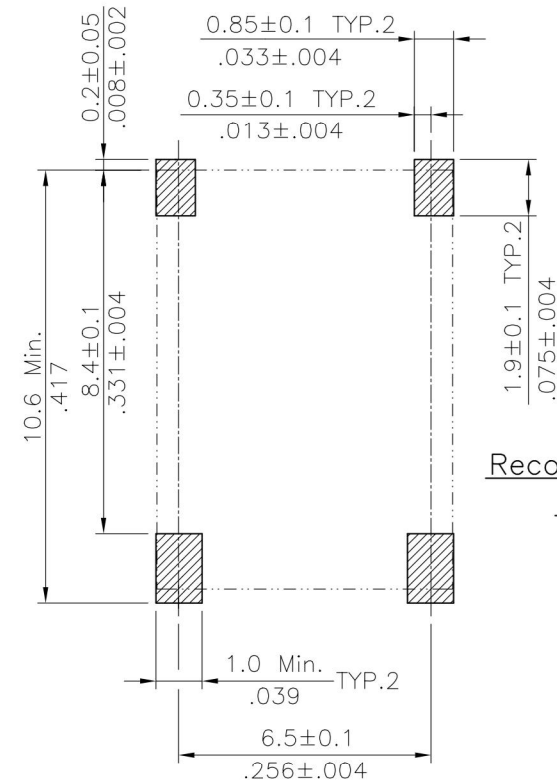
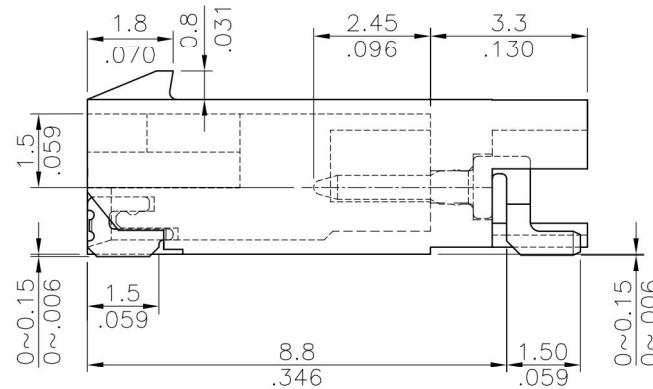
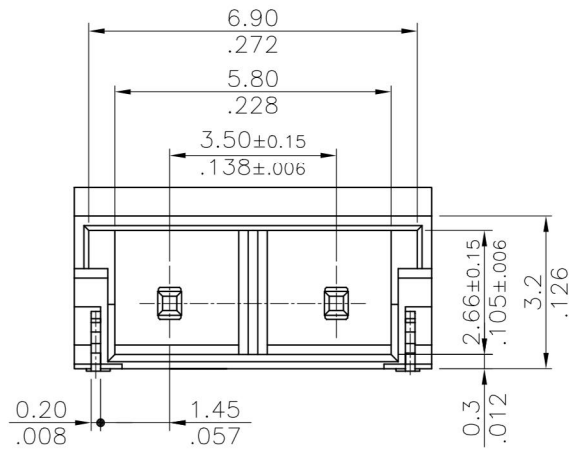
Contact: See ordering code

Fixed Tab: Matte Tin plated over Nickel

- ⑥ Latch option: L=Latch Type
- ⑦ Option opter: 0=standard
- ⑧ -NH= For Lead Free IR Processes and Halogen-Free



BACK VIEW




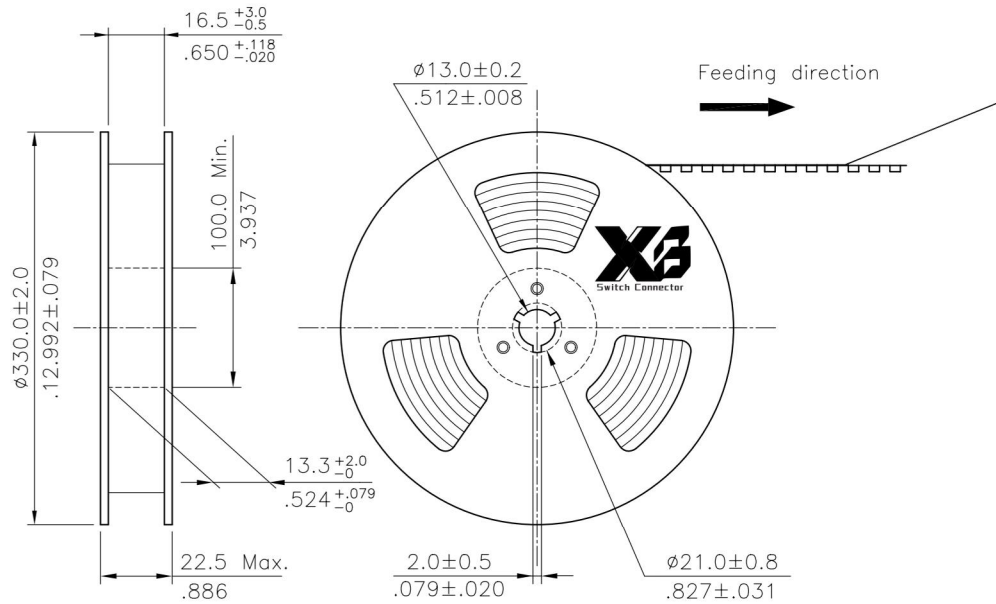
Recommended P.C.
Board Layout

Halogen-Free

Lead Free Process

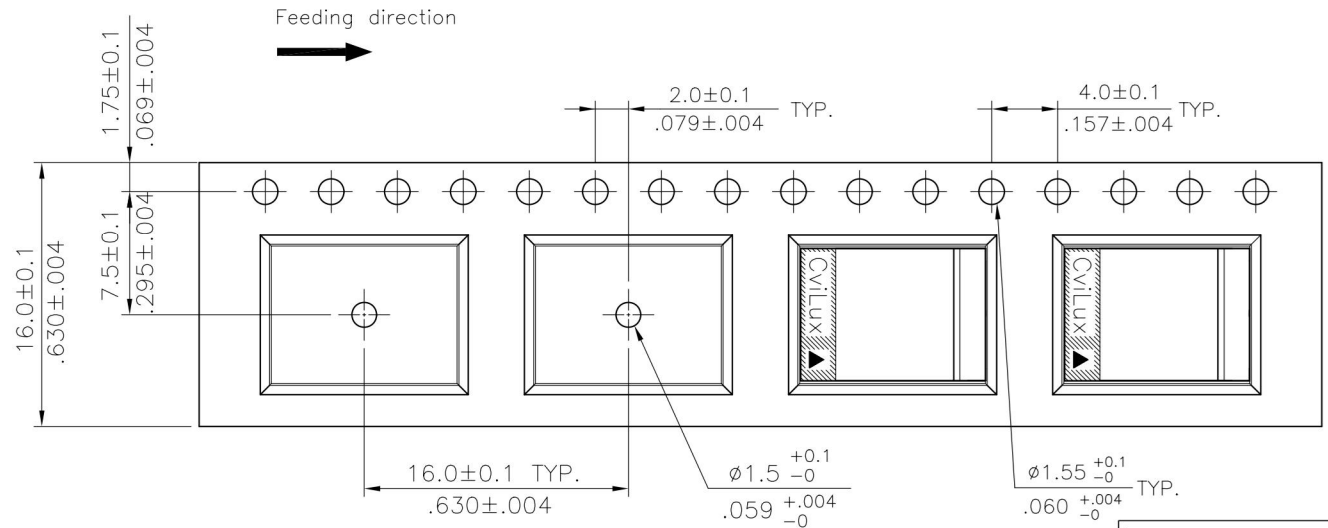
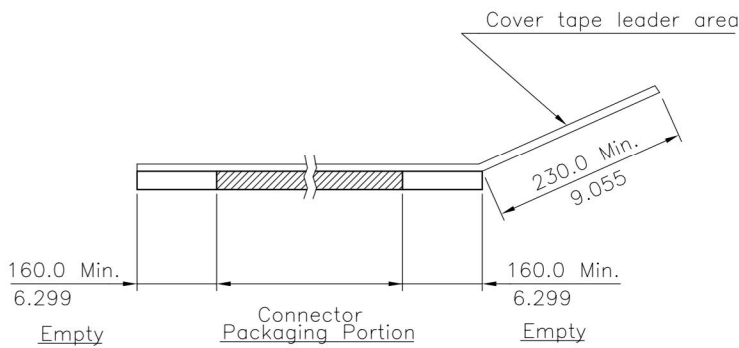
RoHS Compliant

④					DATE	UNIT: mm / inch	TITLE: 3.5mm PITCH WIRE TO BOARD CONNECTOR With Latch Type	 东莞市溪榜电子有限公司 DONG GUAN XI BANG ELECTRONICS CO., LTD.
③				DRAWN BY: Eager	12/25-07'	TOLERANCE UNLESS OTHERWISE SPECIFIED	MATERIAL:	
②				ENGINEER: Eisley	12/26-07'	.X ± 0.30/.012 X' ± r'	FINISH:	
①				CHECKED BY: Alex	12/26-07'	.XX ± 0.20/.008 .X' ±	DRAWING NO. CP0531SA PART NO. CP0502P*ML0-NH	
SYM	NAME	DATE	REVISIONS	APPROVED BY: Alex	12/26-07'	.XXX ± 0.10/.004 .XX' ±	SCALE 5 / 1 SHEET 1 OF 2	




NOTE :

- * Reel Material : HIPS
- * Carrier Material : Color Limpidity, Transparent Polystyrene Alloy
- * Cover Tape Material : Polyester
- * Cover Tape Peel Strength : 0.1N – 1.3N
- * Carrier camber is within 1mm in 100mm
- * All dimensions meet EIA-481-B requirements.
- * Quantity : 900 PCS/Reel



RoHS Compliant

4					DATE	UNIT: mm / inch	TITLE: 3.5mm PITCH WIRE TO BOARD CONNECTOR With Latch Type	 东莞市溪榜电子有限公司 DONG GUAN XI BANG ELECTRONI CS CO., LTD.	
3				DRAWN BY: Eager	12/25-07'	TOLERANCE UNLESS OTHERWISE SPECIFIED	MATERIAL:		
2				ENGINEER: Eisley	12/26-07'	.X ± .X' ± 1'	FINISH:		
1				CHECKED BY: Alex	12/26-07'	.XX ± .X' ±			
SYM	NAME	DATE	REVISIONS	APPROVED BY: Alex	12/26-07'	.XXX ± .XX' ±	SCALE		DRAWING NO. CP0531SA
								SHEET 2 OF 2	