

Note:

Insulator: Nylon 6T+30% G.F UL 94V-0, Color Nature

Contact: Brass

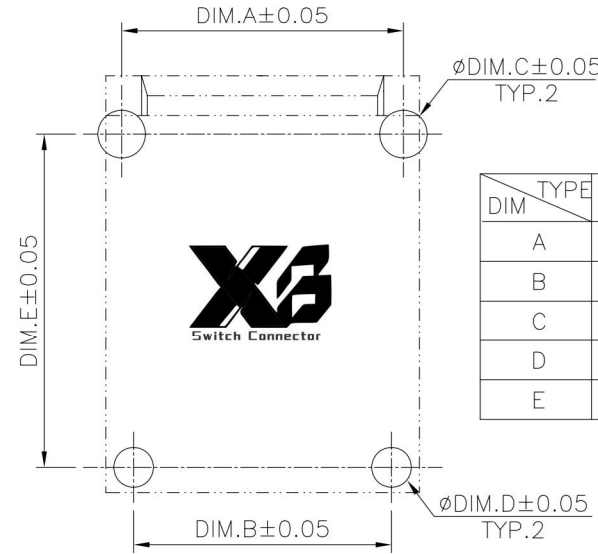
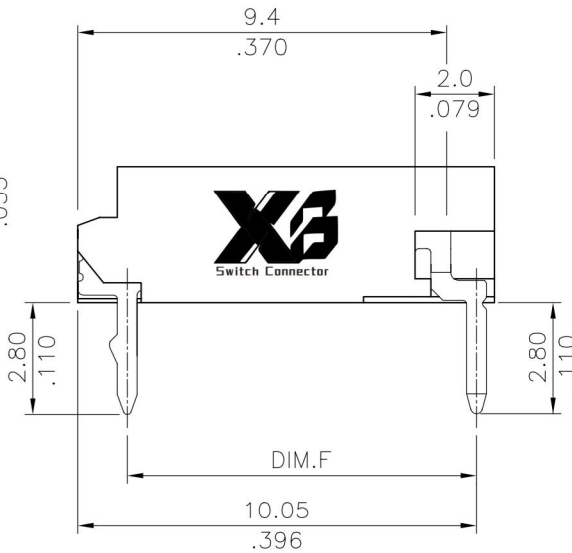
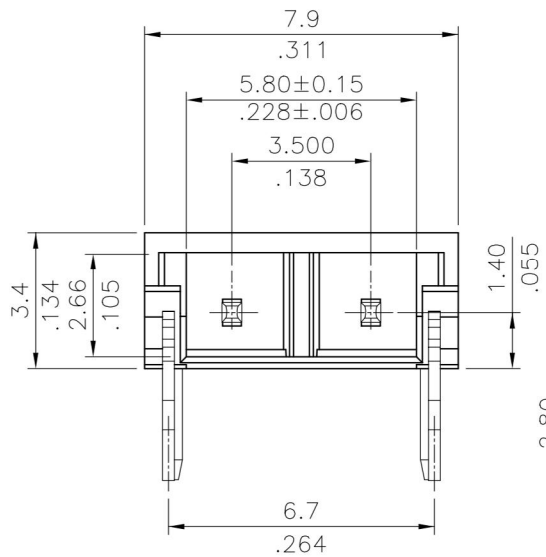
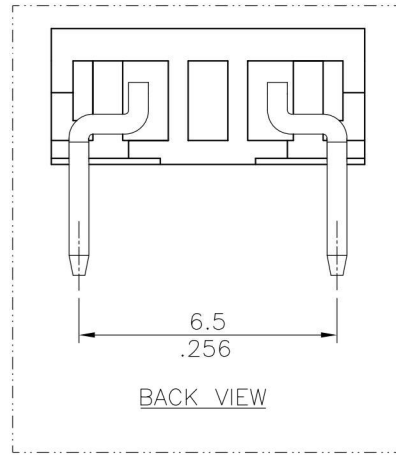
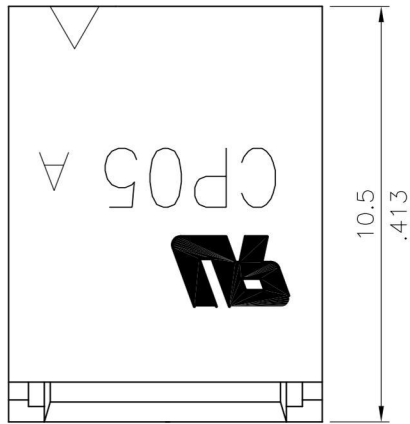
Metal Pegs: Brass

Metal Pegs plating: Matte Tin plated over Nickel

Ordering Code:

CP05 02 P 1 H T * -NH
 ① ② ③ ④ ⑤ ⑥ ⑦ ⑧

- ① Series No.
- ② Circuits: 02
- ③ P= Pin Header
- ④ Plating Code:
1= Matte Tin plated over Nickel
- ⑤ Contact type: H= Right angle DIP Type
- ⑥ Packing option: T= Tube Packing
- ⑦ Other option: 0= With metal pegs, DIM.F= 8.80mm
1= With metal pegs, DIM.F= 9.80mm
2= Without metal pegs
- ⑧ -NH= For Lead Free IR Processes and Halogen-Free



DIM \ TYPE	TYPE 0	TYPE 1
A	7.10(.280)	6.50(.256)
B	6.50(.256)	6.50(.256)
C	1.20(.047)	1.00(.039)
D	1.00(.039)	0.80(.031)
E	8.40(.331)	9.50(.374)

Recommended P.C. Board Layout

Halogen-Free

Lead Free Process

RoHS Compliant

④					DATE	UNIT: mm / inch	TITLE: 3.5mm PITCH WIRE TO BOARD CONNECTOR	东莞市溪榜电子有限公司 DONG GUAN XI BANG ELECTRONI CS CO., LTD.	
③				DRAWN BY: Eager	12/25-07'	TOLERANCE UNLESS OTHERWISE SPECIFIED	MATERIAL:		
②				ENGINEER: Eisley	12/26-07'	.X ± 0.30/.012 X' ± r'	DRAWING NO. CP0530SA PART NO. CP0502P1HT*-NH		
①				CHECKED BY: Alex	12/26-07'	.XX ± 0.20/.008 X' ±			SCALE 5 / 1
SYM	NAME	DATE	REVISIONS	APPROVED BY: Alex	12/26-07'	.XXX ± 0.10/.004 X' ±			SHEET 1 OF 1