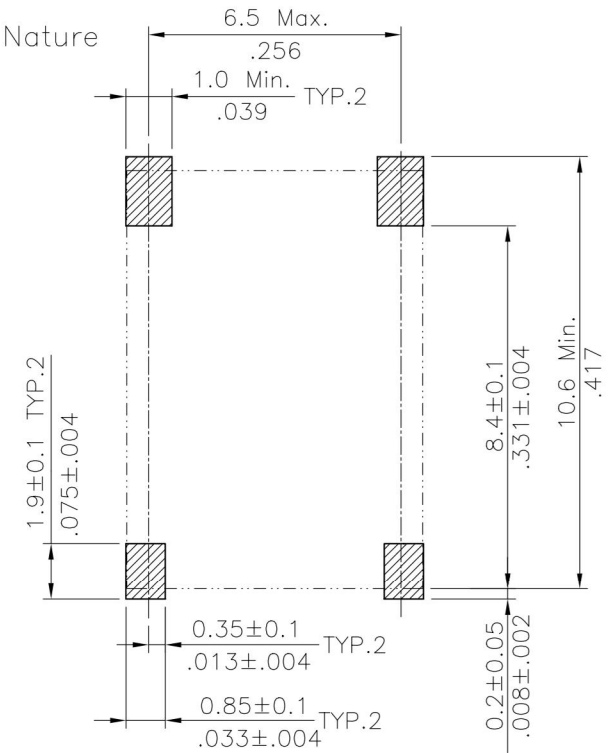
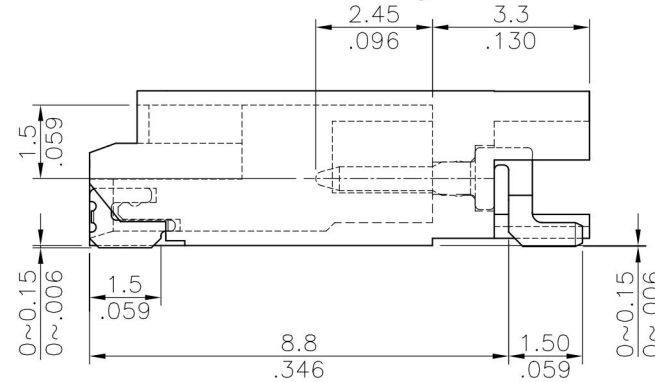
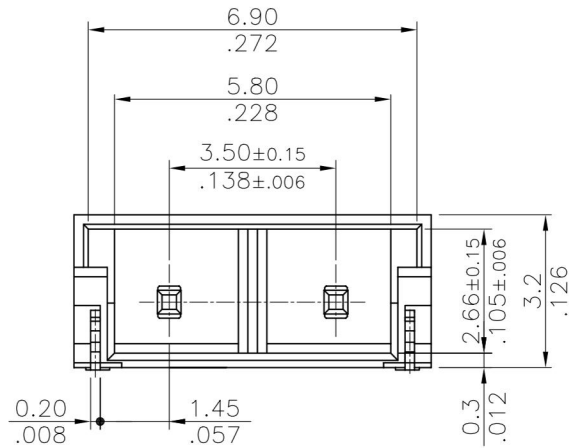


Material: Insulator: Nylon 6T+30%GF. UL 94V-0, Color Nature  
 Contact: Brass  
 Fixed Tab: Brass  
 Plating: Contact: See ordering code  
 Fixed Tab: Matte Tin plated over Nickel

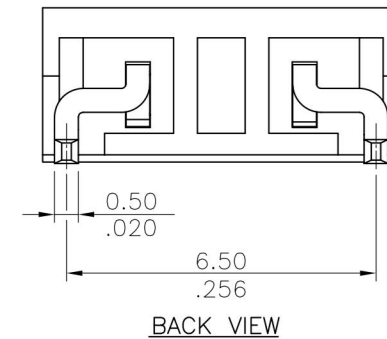
Ordering Code:

CP05 02 P 1 M \* 0 -NH  
 ① ② ③ ④ ⑤ ⑥ ⑦ ⑧


- ① Series No.
- ② Circuits: 02
- ③ P= Pin Header
- ④ Plating Code:  
 1= Matte Tin plated over Nickel  
 2= Gold flash plated over  
 1.27μm(50μ") Nickel
- ⑤ Contact type: M= SMT Type
- ⑥ Packing option: T= Tube Packing  
 R= Tape & Reel
- ⑦ Option: 0= Standard
- ⑧ -NH= For Lead Free IR Processes  
 and Halogen-Free

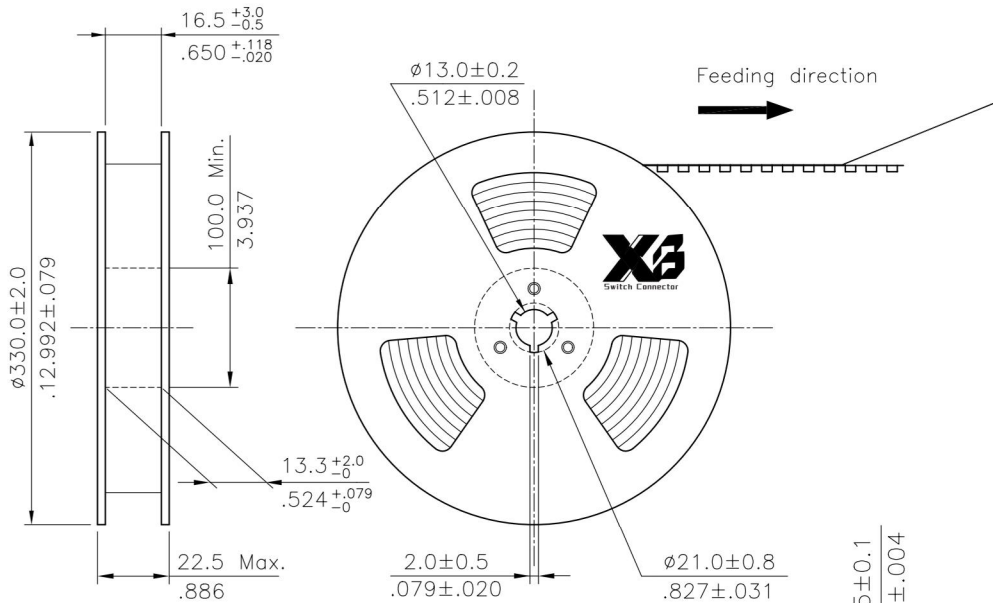


Recommended P.C. Board Layout



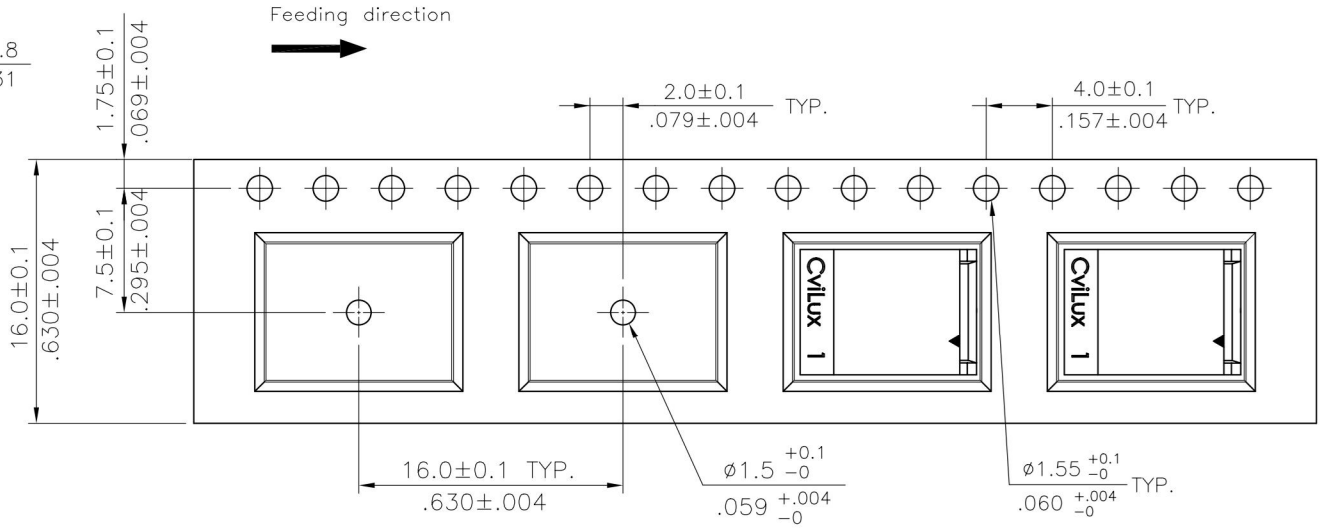
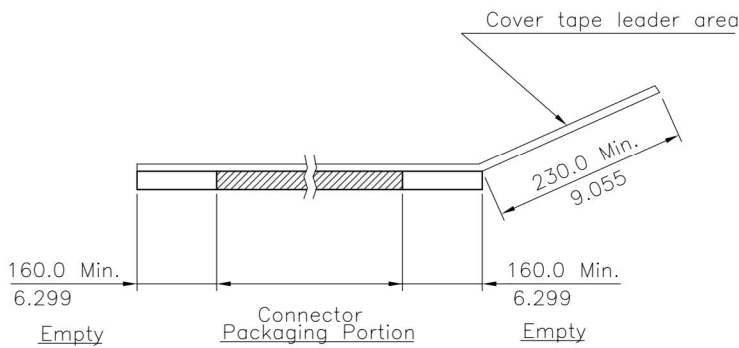
Halogen-Free  
 Lead Free Process  
 RoHS Compliant

④					DATE	UNIT: mm / inch	TITLE: 3.5mm PITCH WIRE TO BOARD CONNECTOR	 <b>东莞市溪榜电子有限公司</b> DONG GUAN XI BANG ELECTRONI CS CO., LTD.
③				DRAWN BY: Eager	12/25-07'	TOLERANCE UNLESS OTHERWISE SPECIFIED	MATERIAL:	
②				ENGINEER: Eisley	12/26-07'	.X ± 0.30/.012 X' ± r'	FINISH:	
①				CHECKED BY: Alex	12/26-07'	.XX ± 0.20/.008 X' ±		
SYM	NAME	DATE	REVISIONS	APPROVED BY: Alex	12/26-07'	.XXX ± 0.10/.004 XX' ±	SCALE	DRAWING NO. CP0529SA PART NO. CP0502P*M*0-NH
							5 / 1	SHEET 1 OF 2




NOTE :

- \* Reel Material : HIPS
- \* Carrier Material : Color Limpidity, Transparent Polystyrene Alloy
- \* Cover Tape Material : Polyester
- \* Cover Tape Peel Strength : 0.1N – 1.3N
- \* Carrier camber is within 1mm in 100mm
- \* All dimensions meet EIA-481-B requirements.
- \* Quantity : 1000 PCS/Reel



RoHS Compliant

4					DATE	UNIT: mm / inch	TITLE: 3.5mm PITCH WIRE TO BOARD CONNECTOR	 <b>东莞市溪榜电子有限公司</b> DONG GUAN XI BANG ELECTRONICS CO., LTD.
3				DRAWN BY: Eager	12/25-07'	TOLERANCE UNLESS OTHERWISE SPECIFIED	MATERIAL:	
2				ENGINEER: Eisley	12/26-07'	.X ±	FINISH:	DRAWING NO. CP0529SA
1				CHECKED BY: Alex	12/26-07'	.XX ±		PART NO. CP0502P*M*0-NH
SYM	NAME	DATE	REVISIONS	APPROVED BY: Alex	12/26-07'	.XXX ±	SCALE	SHEET 2 OF 2