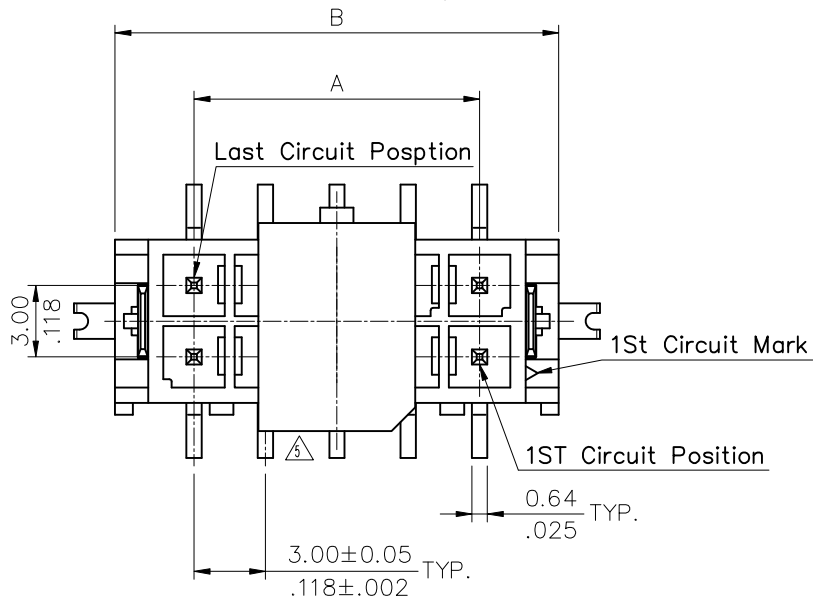
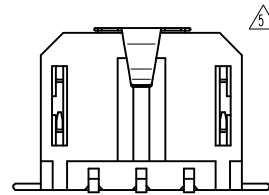


Notes:

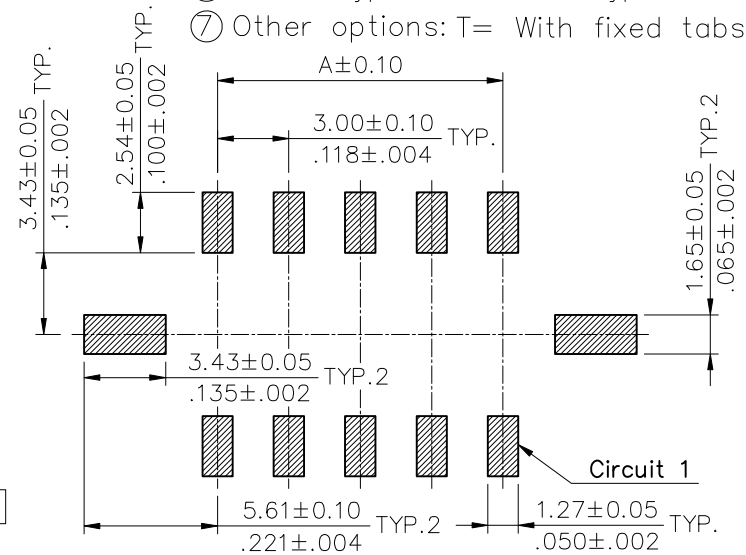
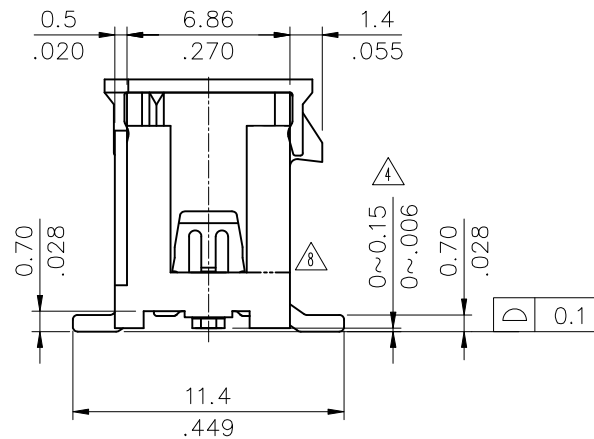
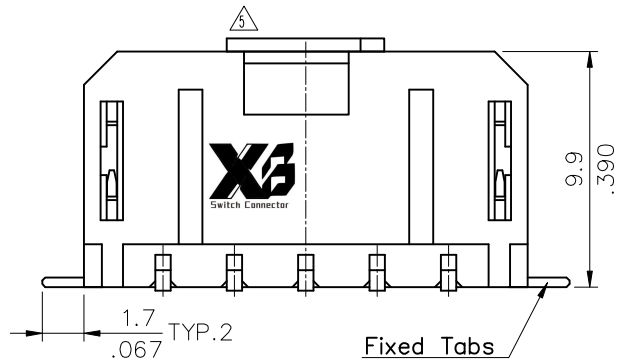
- △ * Insulation: High Temperature Plastic, Color Black
- * Contact: Brass
- * Fixed Tabs: Brass with Tin Plated
- * For Tin-Lead IR Reflow process



| CIRCUITS | DIM. A | DIM. B |
|----------|--------------|-------------|
| 2 | — | 6.7(.264) |
| 4 | 3.00(.118) | 9.7(.382) |
| 6 | 6.00(.236) | 12.7(.500) |
| 8 | 9.00(.354) | 15.7(.618) |
| 10 | 12.00(.472) | 18.7(.736) |
| 12 | 15.00(.591) | 21.7(.854) |
| 14 | 18.00(.709) | 24.7(.972) |
| 16 | 21.00(.827) | 27.7(1.091) |
| 18 | 24.00(.945) | 30.7(1.209) |
| 20 | 27.00(1.063) | 33.7(1.327) |
| 22 | 30.00(1.181) | 36.7(1.445) |
| 24 | 33.00(1.299) | 39.7(1.563) |



For 2,4,6 Circuits



Recommended P.C. Board Layout

Ordering Code:

CP35 ** P * V S T
 ① ② ③ ④ ⑤ ⑥ ⑦

- ① Series No.
- ② No. of Circuits: 02~24
- ③ Contact type: P= Plug
- ④ Contact plated:
 - 1= Tin Plated over Nickel
 - A= Selective Gold Flash Plated over 1.27μm(50μ") Nickel
 - B= Selective 0.38μm(15μ") Gold Plated over 1.27μm(50μ") Nickel
 - C= Selective 0.76μm(30μ") Gold Plated over 1.27μm(50μ") Nickel
- ⑤ V= Straight
- ⑥ Mount type : S= SMT Type
- ⑦ Other options:T= With fixed tabs

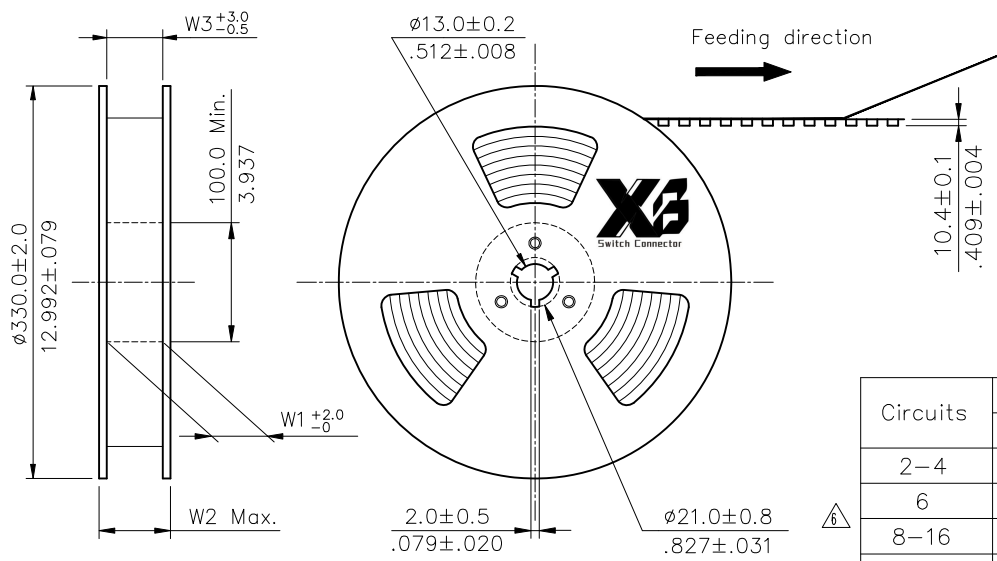
Tin-Lead Process

RoHS Compliant

| SYM | NAME | DATE | REVISIONS | APPROVED BY: | DATE | UNIT: mm / inch | TITLE: 3.00mm PITCH STRAIGHT SMT TYPE POWER CONN. | | |
|---------|----------|-----------|-----------------------|---------------------|----------|--------------------------------------|---|-----------------|----------|
| △8 | Eric | 3/29-21' | ECRT121017/ECNT121085 | | DATE | UNIT: mm / inch | TITLE: 3.00mm PITCH STRAIGHT SMT TYPE POWER CONN. | | |
| △7 | Michelle | 11/12-19' | ECRB11905/ECNT119313 | DRAWN BY: Eric | 3/29-21' | TOLERANCE UNLESS OTHERWISE SPECIFIED | MATERIAL: | | |
| △6 | Sun | 4/30-14' | ECRB114011/ECNT114081 | ENGINEER: Sun | 3/31-21' | | | .X ± 0.30/.012 | .X' ± 1" |
| △5 | Sun | 3/03-12' | ECR12002-1/ECN12023-0 | CHECKED BY: Eisley | 4/1-21' | | | .XX ± 0.20/.008 | .X' ± |
| △8 | Eisley | 4/1-21' | ECRT121017/ECNT121085 | APPROVED BY: Eisley | 4/1-21' | .XXX ± 0.10/.004 | .XX' ± | | |
| FINISH: | | | | | | | | | |

X3 东莞市溪榜电子有限公司
 Switch Connector DONG GUAN XI BANG ELECTRONICS CO., LTD.

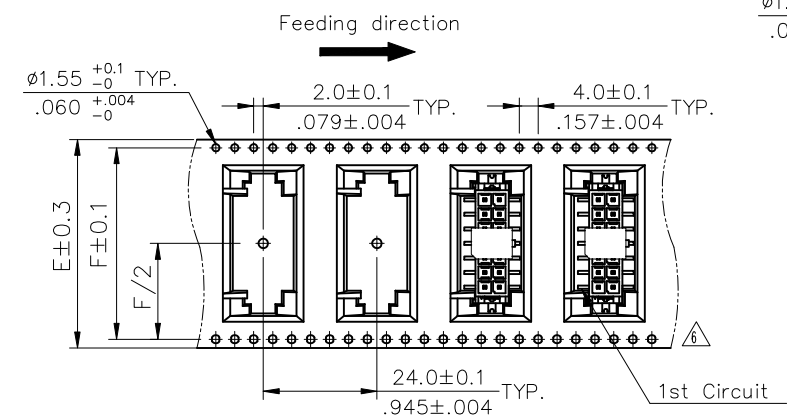
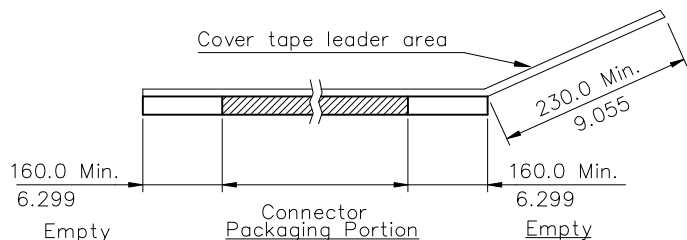
| | | | |
|-------------|----------|----------|-------------|
| DRAWING NO. | CP3511SM | PART NO. | CP35**P*VST |
| SCALE | 3 / 1 | SHEET | 1 OF 2 |



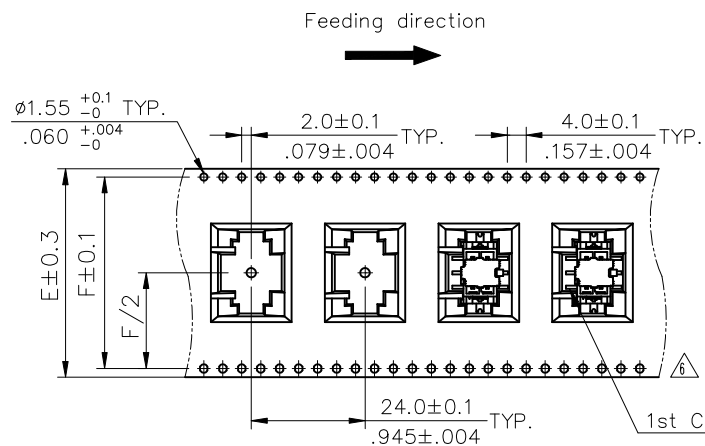
NOTE :

- * Reel Material : Corrugated Paper
- * Carrier Material : Black,Conductive Polystyrene Alloy
- * Cover Tape Material : Polyester
- * Cover Tape Peel Strength : 0.1N – 1.3N
- * Carrier camber is within 1mm in 250mm
- * All dimensions meet EIA-481-B requirements.
- * Quantity : 250 PCS/Reel

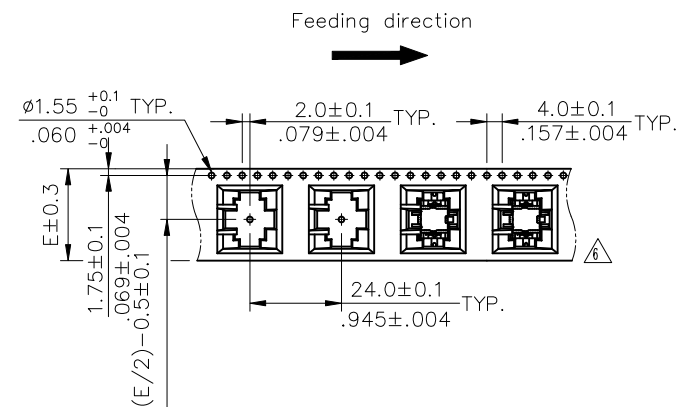
| Circuits | Dimension | | | | | Packing (Reel/Carton) |
|----------|-------------|--------------|-------------|-------------|-------------|-----------------------|
| | E | F | W1 | W2 | W3 | |
| 2-4 | 24.0(.945) | - | 24.5(.965) | 30.5(1.200) | 24.5(.965) | 9 |
| 6 | 32.0(1.260) | 28.40(1.118) | 32.5(1.280) | 38.5(1.516) | 32.5(1.280) | 7 |
| 8-16 | 44.0(1.732) | 40.40(1.596) | 44.5(1.752) | 50.5(1.988) | 44.5(1.752) | 5 |
| 18-24 | 56.0(2.205) | 52.40(2.063) | 56.5(2.224) | 62.5(2.461) | 56.5(2.224) | 4 |



WIDTH : 44.56 mm Carrier(8~24P)



WIDTH : 32 mm Carrier(6P)



WIDTH : 24 mm Carrier(2~4P)

RoHS Compliant

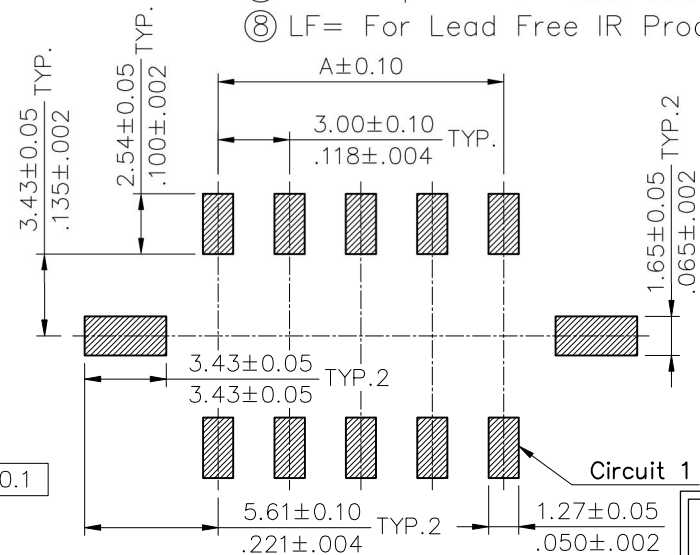
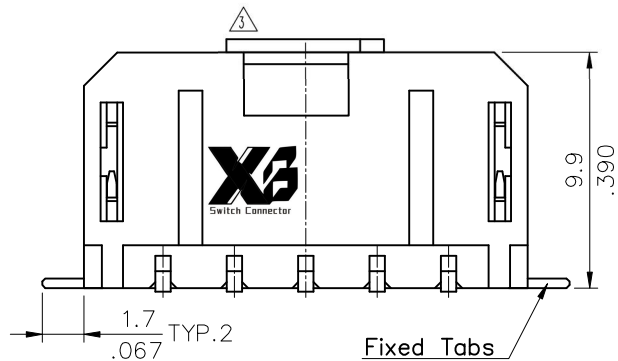
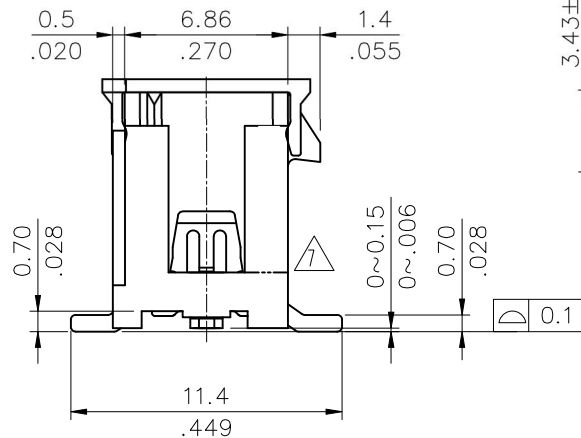
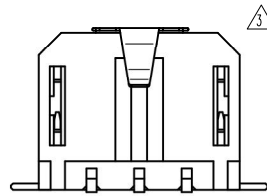
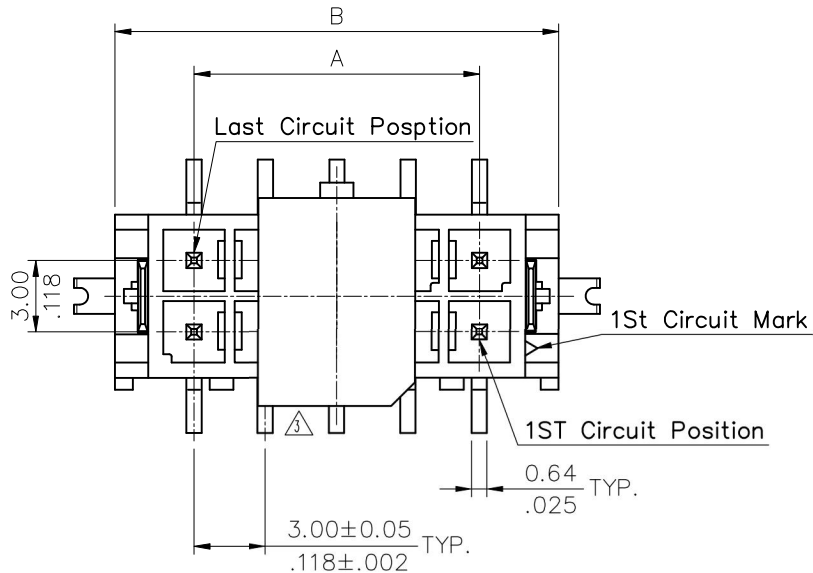
| SYMBOL | NAME | DATE | REVISIONS | APPROVED BY: | DATE | UNIT: mm / inch | TITLE: 3.00mm PITCH STRAIGHT SMT TYPE POWER CONN. |
|--------|----------|-----------|-----------------------|---------------------|----------|--------------------------------------|---|
| 8 | Eric | 3/29-21' | ECRT121017/ECNT121085 | | DATE | UNIT: mm / inch | TITLE: 3.00mm PITCH STRAIGHT SMT TYPE POWER CONN. |
| 7 | Michelle | 11/12-19' | ECRB11905/ECNT119313 | DRAWN BY: Eric | 3/29-21' | TOLERANCE UNLESS OTHERWISE SPECIFIED | MATERIAL: |
| 6 | Sun | 4/30-14' | ECRB114011/ECNT114081 | ENGINEER: Sun | 3/31-21' | .X ± | FINISH: |
| 5 | Sun | 3/03-12' | ECR12002-1/ECN12023-0 | CHECKED BY: Eisley | 4/1-21' | .XX ± | |
| | | | | APPROVED BY: Eisley | 4/1-21' | .XXX ± | |

东莞市溪榜电子有限公司
DONG GUAN XI BANG ELECTRONI CS CO., LTD.

| | | | |
|-------------|----------|----------|-------------|
| DRAWING NO. | CP3511SM | PART NO. | CP35**P*VST |
| SCALE | | SHEET | 2 OF 2 |

Note:

- ⑥ * Insulation: High Temperature Plastic, Color Black
- * Contact: Brass
- * Fixed Tabs: Brass with Matte Tin Plated
- * For Lead Free IR Reflow process



Recommended P.C. Board Layout

| CIRCUITS | DIM. A | DIM. B |
|----------|--------------|-------------|
| 2 | | 6.7(.264) |
| 4 | 3.00(.118) | 9.7(.382) |
| 6 | 6.00(.236) | 12.7(.500) |
| 8 | 9.00(.354) | 15.7(.618) |
| 10 | 12.00(.472) | 18.7(.736) |
| 12 | 15.00(.591) | 21.7(.854) |
| 14 | 18.00(.709) | 24.7(.972) |
| 16 | 21.00(.827) | 27.7(1.091) |
| 18 | 24.00(.945) | 30.7(1.209) |
| 20 | 27.00(1.063) | 33.7(1.327) |
| 22 | 30.00(1.181) | 36.7(1.445) |
| 24 | 33.00(1.299) | 39.7(1.563) |

Ordering Code:

CP35 ** P * V S T -LF
 ① ② ③ ④ ⑤ ⑥ ⑦ ⑧

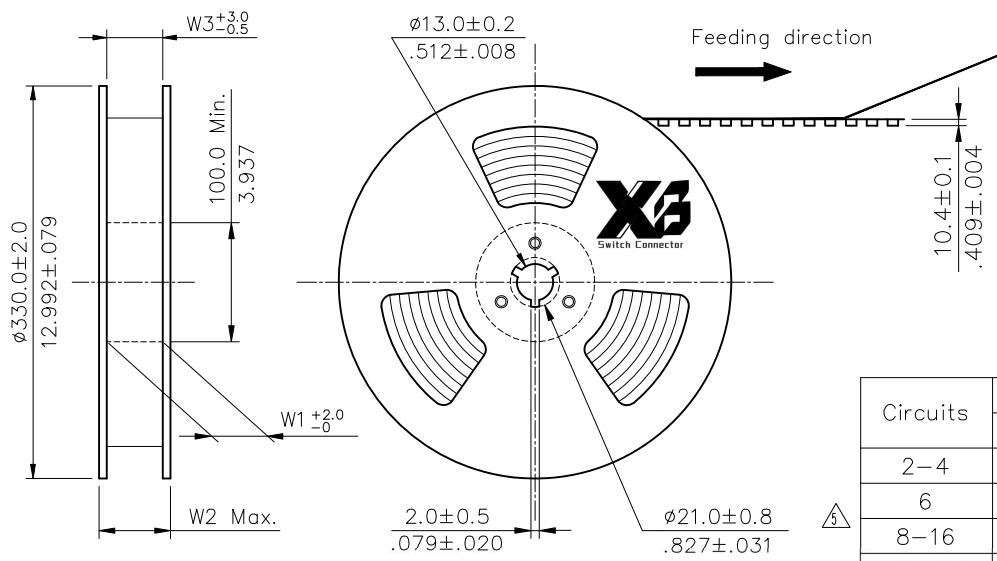
- ① Series No.
- ② No. of Circuits: 02~24
- ③ Contact type: P= Plug
- ④ Contact plated:
 - 1= Matte Tin Plated over Nickel
 - A= Selective Gold Flash Plated over 1.27μm(50μ") Nickel
 - B= Selective 0.38μm(15μ") Gold Plated over 1.27μm(50μ") Nickel
 - C= Selective 0.76μm(30μ") Gold Plated over 1.27μm(50μ") Nickel
- ⑤ V= Straight
- ⑥ Mount type : S= SMT Type
- ⑦ Other options:T= With fixed tabs
- ⑧ LF= For Lead Free IR Process

Lead Free Process

RoHS Compliant

| SYM | NAME | DATE | REVISIONS | APPROVED BY: | DATE | UNIT: mm / inch | TITLE: 3.00mm PITCH STRAIGHT SMT TYPE POWER CONN. | MATERIAL: | FINISH: | DRAWING NO. | PART NO. | SHEET 1 OF 2 |
|-----|----------|-----------|-----------------------|--------------|--------|-----------------|---|-----------|---------|----------------------|-------------------------|--------------|
| ⑦ | Eric | 3/29-21' | ECRT121017/ECNT121085 | | | | | | | | | |
| ⑥ | Michelle | 11/12-19' | ECRB11905/ECNT119313 | DRAWN BY: | Eric | 3/29-21' | TOLERANCE UNLESS OTHERWISE SPECIFIED | | | DRAWING NO. CP3583SG | PART NO. CP35**P*VST-LF | SCALE 3 / 1 |
| ⑤ | Sun | 4/30-14' | ECRB114011/ECNT114081 | ENGINEER: | Sun | 3/31-21' | | | | | | |
| ④ | Sun | 4/30-14' | ECRB114011/ECNT114081 | CHECKED BY: | Eisley | 4/1-21' | | | | | | |
| | | | | APPROVED BY: | Eisley | 4/1-21' | | | | | | |
| | | | | | | | | | | | | |

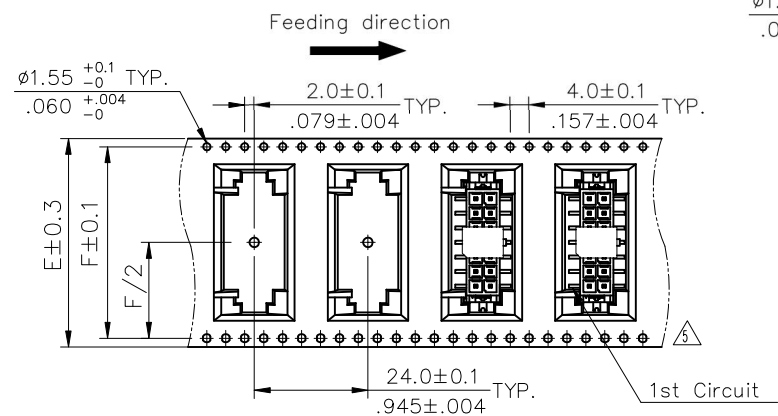
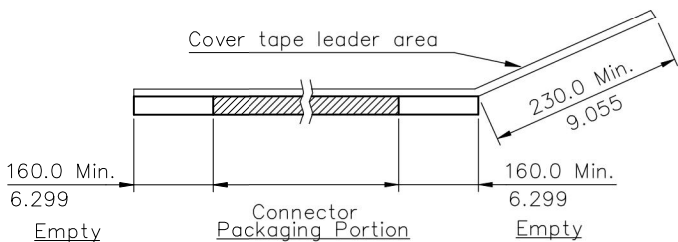
XB 东莞市溪榜电子有限公司
 Switch Connector DONG GUAN XI BANG ELECTRONICS CO., LTD.



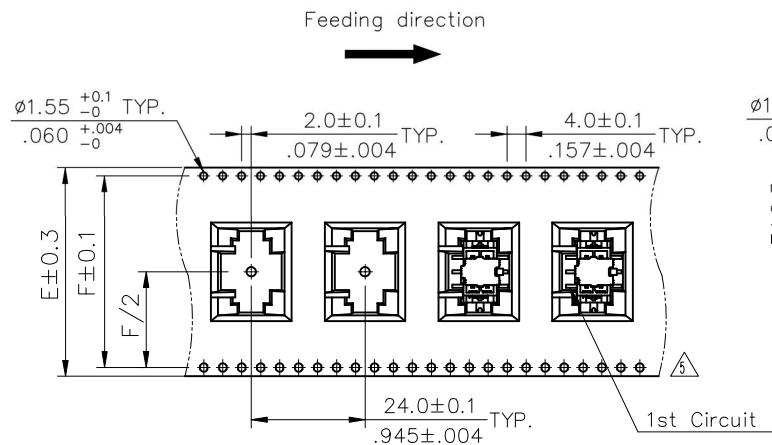
NOTE :

- * Reel Material : Corrugated Paper
- * Carrier Material : Black,Conductive Polystyrene Alloy
- * Cover Tape Material : Polyester
- * Cover Tape Peel Strength : 0.1N – 1.3N
- * Carrier camber is within 1mm in 250mm
- * All dimensions meet EIA-481-B requirements.
- * Quantity : 250 PCS/Reel

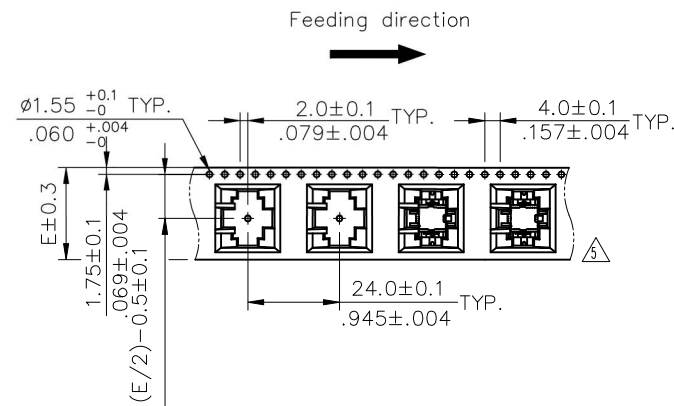
| Circuits | Dimension | | | | | Packing (Reel/Carton) |
|----------|-------------|--------------|-------------|-------------|-------------|-----------------------|
| | E | F | W1 | W2 | W3 | |
| 2-4 | 24.0(.945) | - | 24.5(.965) | 30.5(1.200) | 24.5(.965) | 9 |
| 6 | 32.0(1.260) | 28.40(1.118) | 32.5(1.280) | 38.5(1.516) | 32.5(1.280) | 7 |
| 8-16 | 44.0(1.732) | 40.40(1.596) | 44.5(1.752) | 50.5(1.988) | 44.5(1.752) | 5 |
| 18-24 | 56.0(2.205) | 52.40(2.063) | 56.5(2.224) | 62.5(2.461) | 56.5(2.224) | 4 |



WIDTH : 44.56 mm Carrier(8~24P)



WIDTH : 32 mm Carrier(6P)



WIDTH : 24 mm Carrier(2~4P)

RoHS Compliant

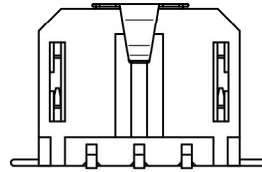
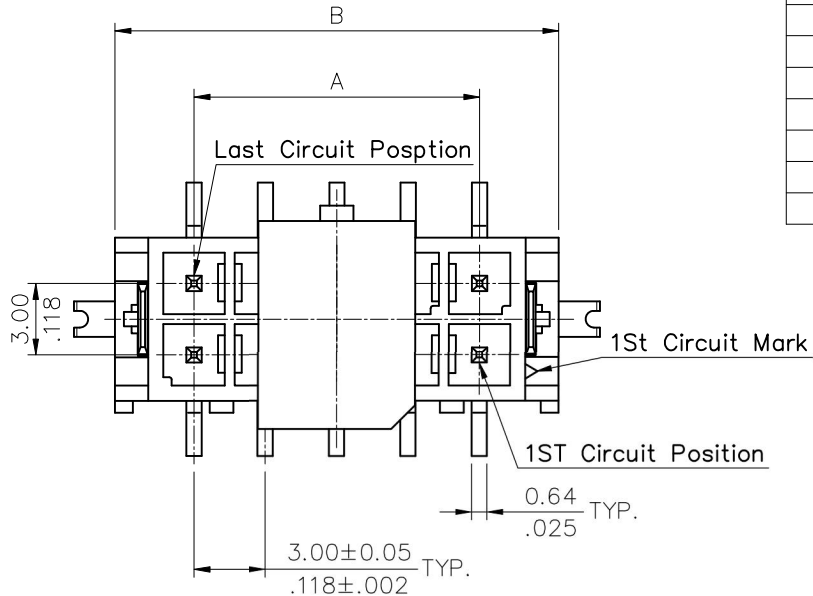
| SYMBOL | NAME | DATE | REVISIONS | APPROVED BY: | DATE | UNIT: | TITLE: | MATERIAL: | FINISH: | DRAWING NO. | PART NO. | SHEET | OF | PAGE |
|--------|----------|-----------|-----------------------|--------------|--------|-----------|--|-----------|---------|-------------|----------|-------|----|------|
| 7 | Eric | 3/29-21' | ECRT121017/ECNT121085 | | DATE | mm / inch | 3.00mm PITCH STRAIGHT SMT TYPE POWER CONN. | | | | | | | |
| 6 | Michelle | 11/12-19' | ECRB11905/ECNT119313 | DRAWN BY: | Eric | 3/29-21' | TOLERANCE UNLESS OTHERWISE SPECIFIED | | | | | | | |
| 5 | Sun | 4/30-14' | ECRB114011/ECNT114081 | ENGINEER: | Sun | 3/31-21' | .X ± | X' ± 1' | | | | | | |
| 4 | Sun | 4/30-14' | ECRB114011/ECNT114081 | CHECKED BY: | Eisley | 4/1-21' | .XX ± | .X' ± | | | | | | |
| | | | | APPROVED BY: | Eisley | 4/1-21' | .XXX ± | .XX' ± | | | | | | |

Switch Connector 东莞市溪榜电子有限公司
DONG GUAN XI BANG ELECTRONICS CO., LTD.

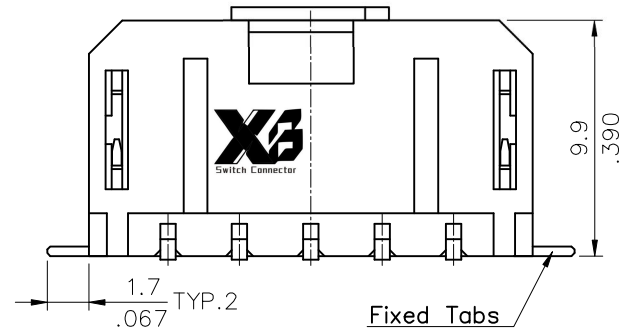
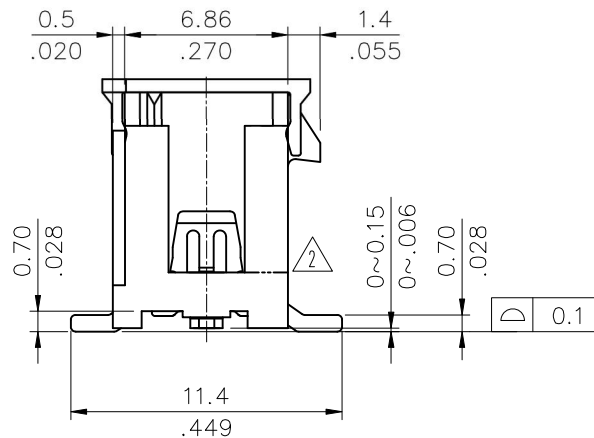
DRAWING NO. CP3583SG PART NO. CP35**P*VST-LF
SCALE SHEET 2 OF 2

Notes:

- * Insulation: High Temperature Plastic, Color Black
- * Contact: Brass
- * Fixed Tabs: Brass with Matte Tin Plated
- * For Lead Free IR Reflow Process



For 2,4,6 Circuits



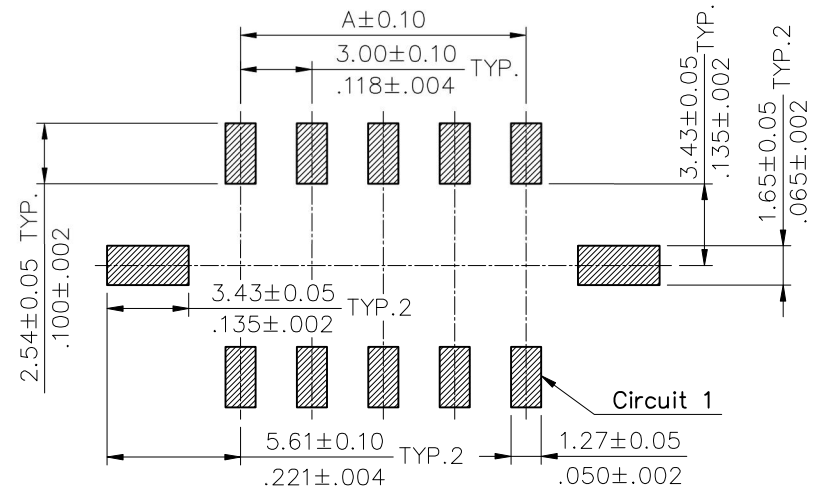
Fixed Tabs

| CIRCUITS | DIM. A | DIM. B |
|----------|--------------|-------------|
| 2 | — | 6.7(.264) |
| 4 | 3.00(.118) | 9.7(.382) |
| 6 | 6.00(.236) | 12.7(.500) |
| 8 | 9.00(.354) | 15.7(.618) |
| 10 | 12.00(.472) | 18.7(.736) |
| 12 | 15.00(.591) | 21.7(.854) |
| 14 | 18.00(.709) | 24.7(.972) |
| 16 | 21.00(.827) | 27.7(1.091) |
| 18 | 24.00(.945) | 30.7(1.209) |
| 20 | 27.00(1.063) | 33.7(1.327) |
| 22 | 30.00(1.181) | 36.7(1.445) |
| 24 | 33.00(1.299) | 39.7(1.563) |

Ordering Code:

CP35 ** P * V S T -NH
 ① ② ③ ④ ⑤ ⑥ ⑦ ⑧

- ① Series No.
- ② No. of Circuits: 02~24
- ③ Contact type: P= Plug
- ④ Contact plated:
 - 1= Matte Tin Plated over Nickel
 - A= Selective Gold Flash Plated over 1.27μm(50μ") Nickel
 - B= Selective 0.38μm(15μ") Gold Plated over 1.27μm(50μ") Nickel
 - C= Selective 0.76μm(30μ") Gold Plated over 1.27μm(50μ") Nickel
- ⑤ V= Straight
- ⑥ Mount type : S= SMT Type
- ⑦ Other options:T= With fixed tabs
- ⑧ NH= For Lead Free IR Process & Halogen Free



Recommended P.C. Board Layout

Halogen-Free

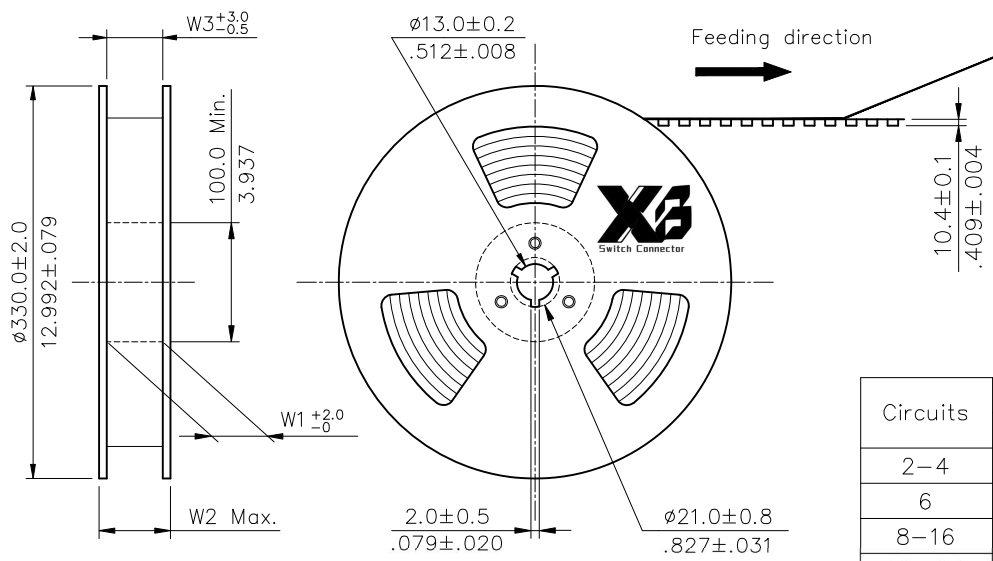
Lead Free Process

RoHS Compliant

| SYM | NAME | DATE | REVISIONS | APPROVED BY: | DATE | UNIT: mm / inch | TITLE: 3.00mm PITCH STRAIGHT SMT TYPE POWER CONN. |
|-----|----------|-----------|-----------------------|---------------------|----------|--|---|
| ④ | | | | | DATE | UNIT: mm / inch | TITLE: 3.00mm PITCH STRAIGHT SMT TYPE POWER CONN. |
| ③ | | | | DRAWN BY: Eric | 3/29-21' | TOLERANCE UNLESS OTHERWISE SPECIFIED .X ± 0.30/.012 X' ± 1' .XX ± 0.20/.008 .X' ± .XXX ± 0.10/.004 .XX' ± | MATERIAL: |
| ② | Eric | 3/29-21' | ECRT121017/ECNT121085 | ENGINEER: Sun | 3/31-21' | | |
| ① | Michelle | 11/12-19' | ECRB11905/ECNT119313 | CHECKED BY: Eisley | 4/1-21' | | |
| | | | | APPROVED BY: Eisley | 4/1-21' | | |

| |
|---|
| TITLE: 3.00mm PITCH STRAIGHT SMT TYPE POWER CONN. |
| MATERIAL: |
| FINISH: |

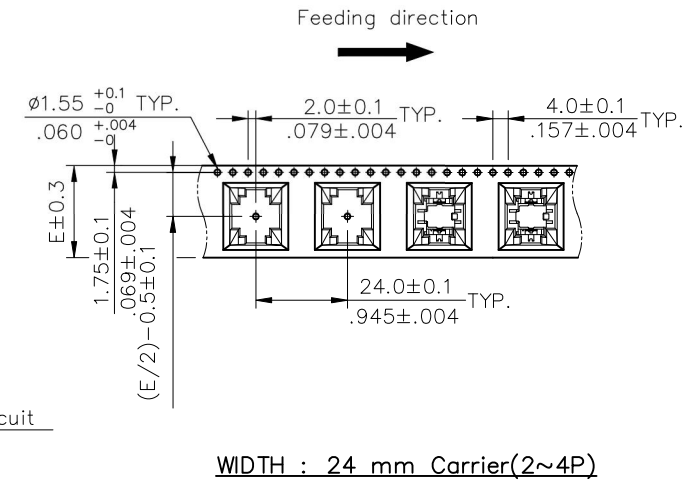
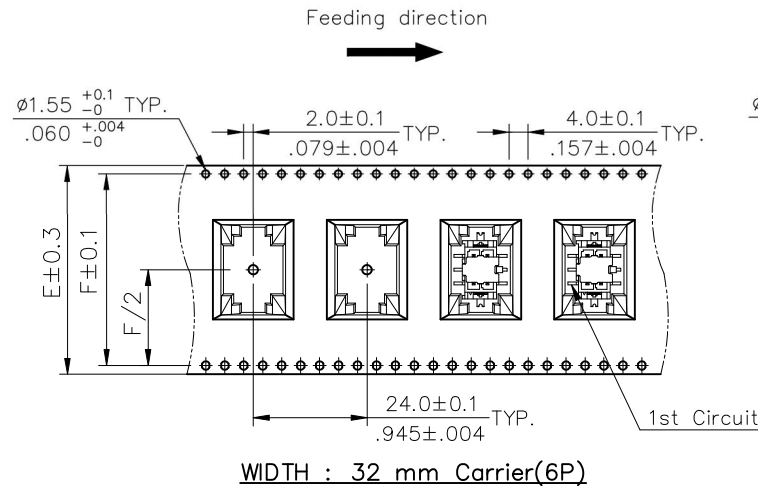
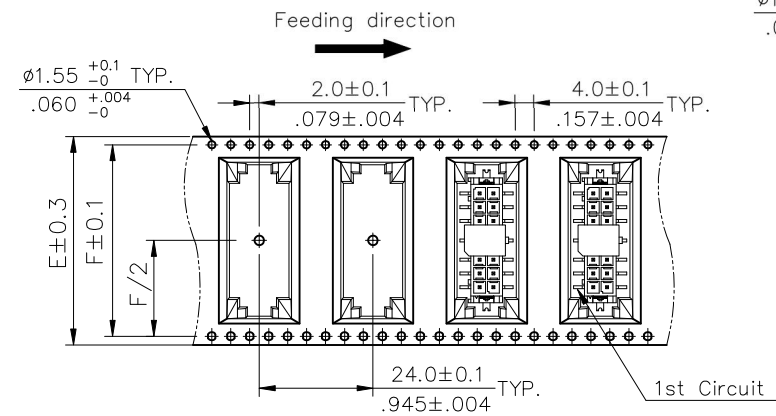
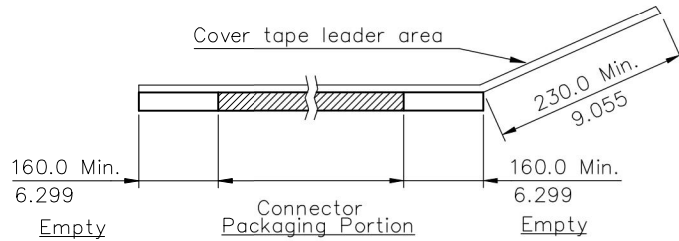
| | | | |
|---|-----------|----------|----------------|
| 东莞市溪榜电子有限公司 DONG GUAN XI BANG ELECTRONI CS CO., LTD. | | | |
| DRAWING NO. | CP35113SC | PART NO. | CP35**P*VST-NH |
| SCALE | 3 / 1 | SHEET | 1 OF 2 |



NOTE :

- * Reel Material : Corrugated Paper
- * Carrier Material : Black,Conductive Polystyrene Alloy
- * Cover Tape Material : Polyester
- * Cover Tape Peel Strength : 0.1N – 1.3N
- * Carrier camber is within 1mm in 250mm
- * All dimensions meet EIA-481-B requirements.
- * Quantity : 250 PCS/Reel

| Circuits | Dimension | | | | | Packing (Reel/Carton) |
|----------|-------------|--------------|-------------|-------------|-------------|-----------------------|
| | E | F | W1 | W2 | W3 | |
| 2-4 | 24.0(.945) | - | 24.5(.965) | 30.5(1.200) | 24.5(.965) | 9 |
| 6 | 32.0(1.260) | 28.40(1.118) | 32.5(1.280) | 38.5(1.516) | 32.5(1.280) | 7 |
| 8-16 | 44.0(1.732) | 40.40(1.596) | 44.5(1.752) | 50.5(1.988) | 44.5(1.752) | 5 |
| 18-24 | 56.0(2.205) | 52.40(2.063) | 56.5(2.224) | 62.5(2.461) | 56.5(2.224) | 4 |



RoHS Compliant

| 4 | | | | DATE | UNIT: mm / inch | TITLE: 3.00mm PITCH STRAIGHT SMT TYPE POWER CONN. |
|-----|----------|-----------|-----------------------|---------------------|-----------------|---|
| 3 | | | | DRAWN BY: Eric | 3/29-21' | TOLERANCE UNLESS OTHERWISE SPECIFIED |
| 2 | Eric | 3/29-21' | ECRT121017/ECNT121085 | ENGINEER: Sun | 3/31-21' | |
| 1 | Michelle | 11/12-19' | ECRB11905/ECNT119313 | CHECKED BY: Eisley | 4/1-21' | FINISH: |
| SYM | NAME | DATE | REVISIONS | APPROVED BY: Eisley | 4/1-21' | |
| | | | | | | PART NO. CP35**P*VST-NH |
| | | | | | | SCALE |
| | | | | | | SHEET 2 OF 2 |

X3 东莞市溪榜电子有限公司
Switch Connector DONG GUAN XI BANG ELECTRONI CS CO., LTD.