

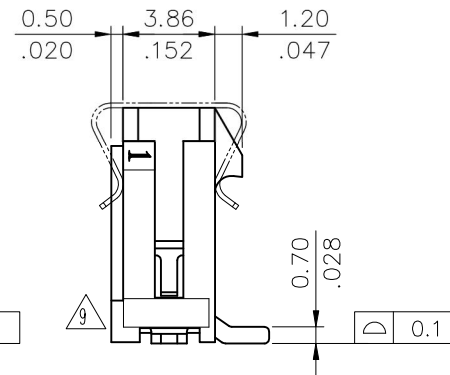
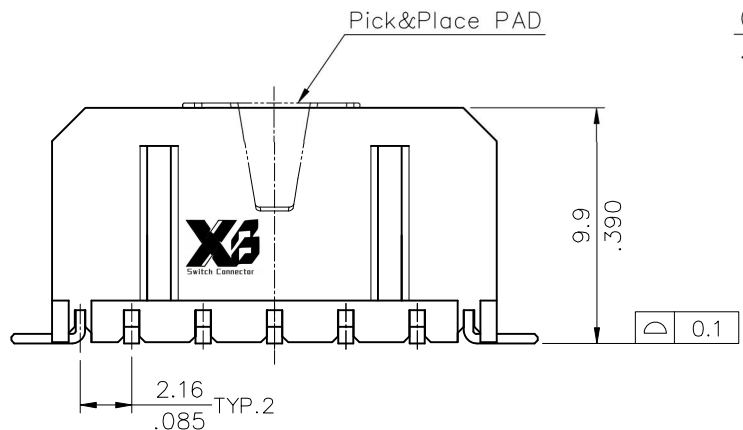
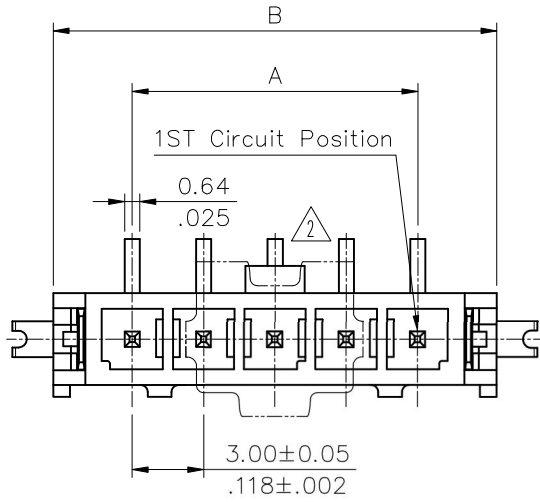
Material:

- △ * Insulation: High Temperature Plastic
UL 94V-0, Color Black
- * Contact: Brass
- * Fixed Tabs: Brass with Matte Tin Plated

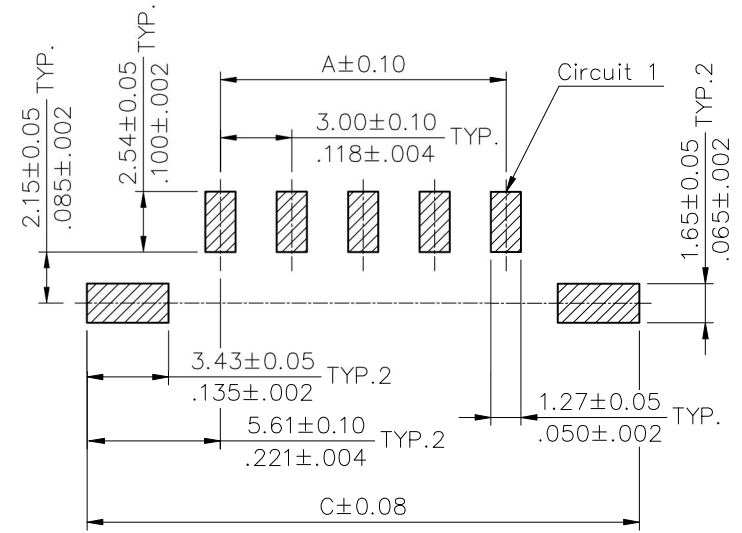
Ordering Code:

CP35 ** P * V S T - S - LF
 ① ② ③ ④ ⑤ ⑥ ⑦ ⑧ ⑨

- ① Series No.
- ② No. of Circuits: 02~12
- ③ Contact type: P= Plug
- ④ Contact plated:
 1= Matte Tin Plated over Nickel
 A= Selective Gold Flash Plated over 1.27 μm(50 μ") Nickel
 B= Selective 0.38 μm(15 μ") Gold Plated over 1.27 μm(50 μ") Nickel
 C= Selective 0.76 μm(30 μ") Gold Plated over 1.27 μm(50 μ") Nickel
- ⑤ V= Straight
- ⑥ Mount type : S= SMT Type
- ⑦ T= With Fixed Tabs
(Reel Packing With Pick&Place PAD)
- ⑧ S= Single Row Header
- ⑨ LF= Lead Free soldering process



CIRCUITS	DIM.A	DIM.B	DIM.C
2	3.00(.118)	9.65(.380)	14.2(.559)
3	6.00(.236)	12.65(.498)	17.2(.677)
4	9.00(.354)	15.65(.616)	20.2(.795)
5	12.00(.472)	18.65(.734)	23.2(.913)
6	15.00(.591)	21.65(.852)	26.2(1.031)
7	18.00(.709)	24.65(.970)	29.2(1.150)
8	21.00(.827)	27.65(1.089)	32.2(1.268)
9	24.00(.945)	30.65(1.207)	35.2(1.386)
10	27.00(1.063)	33.65(1.325)	38.2(1.504)
11	30.00(1.181)	36.65(1.443)	41.2(1.622)
12	33.00(1.299)	39.65(1.561)	44.2(1.740)



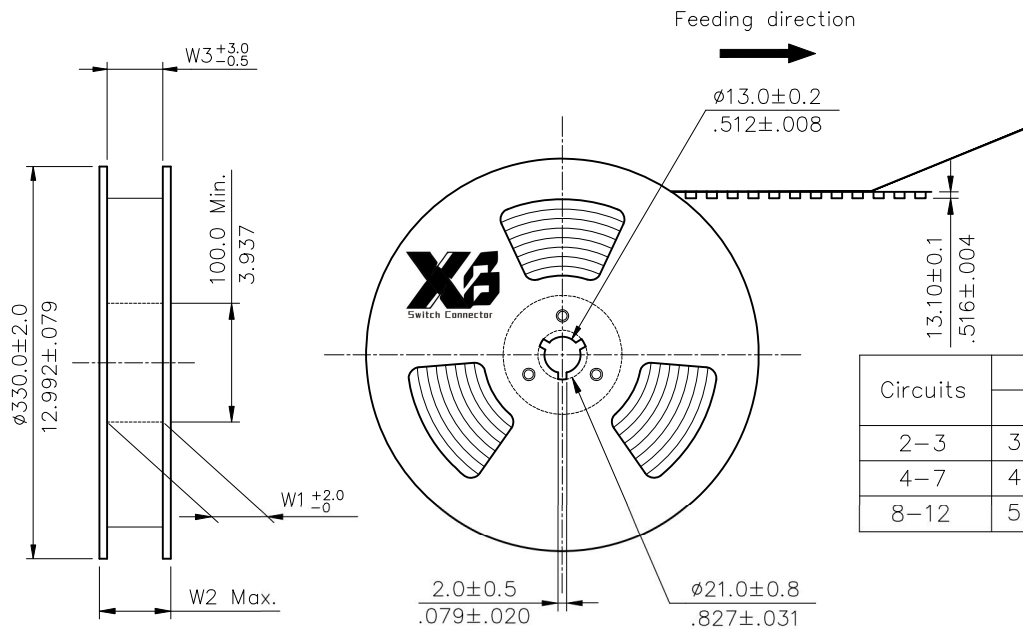
Recommended P.C. Board Layout

Lead Free Process
 RoHS Compliant

SYM	NAME	DATE	REVISIONS	APPROVED BY:	DATE	UNIT: mm / inch	TITLE: 3.00mm PITCH STRAIGHT SMT TYPE POWER CONN.	MATERIAL:	FINISH:	DRAWING NO.	PART NO.	SHEET 1 OF 2
△9	Eric	3/29-21'	ECRT121017/ECNT121085		DATE	UNIT: mm / inch	TITLE: 3.00mm PITCH STRAIGHT SMT TYPE POWER CONN.					
△8	Yushu	4/15-19'	ECRB118091/ECNT119092	DRAWN BY: Eric	3/29-21'	TOLERANCE UNLESS OTHERWISE SPECIFIED						
△7	Sandy	7/2-12'	ECN12127-0	ENGINEER: Sun	3/31-21'	.X ± 0.30/012 X' ± 1'						
△6	Sandy	6/15-12'	ECN12105-0	CHECKED BY: Eisley	4/1-21'	.XX ± 0.20/008 .X' ±						
				APPROVED BY: Eisley	4/1-21'	.XXX ± 0.10/004 .XX' ±						

X3 东莞市溪榜电子有限公司
 DONG GUAN XI BANG ELECTRONI CS CO., LTD.

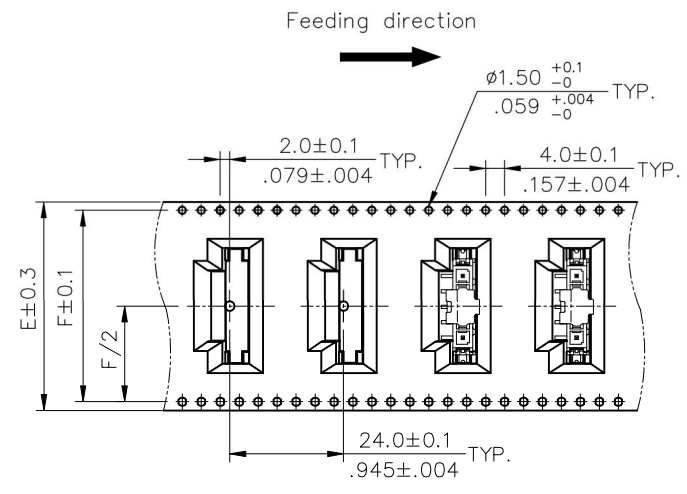
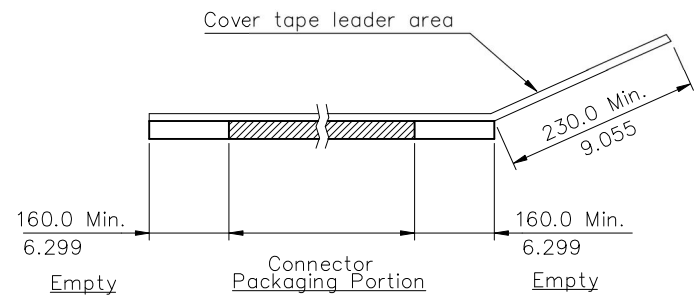
DRAWING NO. CP3571SI PART NO. CP35**P*VST-S-LF
 SCALE 3 / 1 SHEET 1 OF 2



NOTE :

- △ * Reel Material : Corrugated Paper
- △ * Carrier Material : Transparent, Conductive Polystyrene Alloy
- * Cover Tape Material : Polyester
- * Cover Tape Peel Strength : 0.1N – 1.3N
- * Carrier camber is within 1mm in 250mm
- * All dimensions meet EIA-481-B requirements.
- * Quantity : 200 PCS/Reel

Circuits	Dimension					Packing (Reel/Carton)
	E	F	W1	W2	W3	
2-3	32.0(1.260)	28.40(1.118)	32.5(1.280)	38.5(1.516)	32.5(1.280)	7
4-7	44.0(1.732)	40.40(1.596)	44.5(1.752)	50.5(1.988)	44.5(1.752)	5
8-12	56.0(2.205)	52.40(2.063)	56.5(2.224)	62.5(2.461)	56.5(2.224)	4



WIDTH : 32,44,56 mm Carrier

RoHS Compliant

△9	Eric	3/29-21'	ECRT121017/ECNT121085		DATE	UNIT: mm / inch	TITLE:
△8	Yushu	4/15-19'	ECRB118091/ECNT119092	DRAWN BY:	Eric	3/29-21'	MATERIAL:
△7	Sandy	7/2-12'	ECN12127-0	ENGINEER:	Sun	3/31-21'	
△6	Sandy	6/15-12'	ECN12105-0	CHECKED BY:	Eisley	4/1-21'	CUSTOMER:
SYM	NAME	DATE	REVISIONS	APPROVED BY:	Eisley	4/1-21'	

X3 东莞市溪榜电子有限公司
Switch Connector DONG GUAN XI BANG ELECTRONICS CO., LTD.

DRAWING NO.	CP3571SI	PART NO.	CP35**P*VST-S-LF
SCALE	3 / 1	SHEET	2 OF 2

Notes:

△* Insulation: High Temperature Plastic
UL 94V-0, Color Black

* Contact: Brass

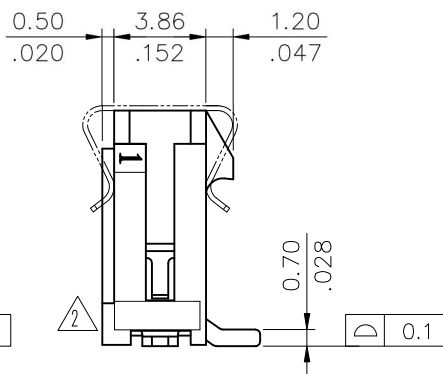
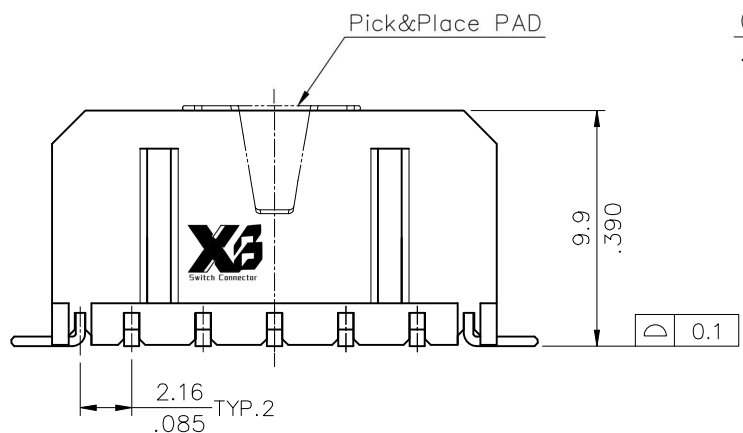
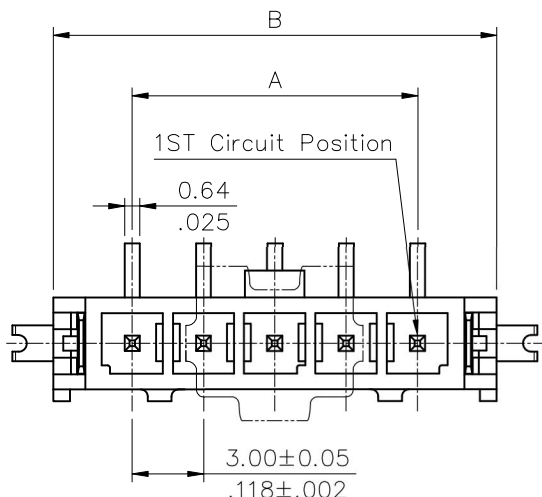
* Fixed Tabs: Brass with Matte Tin Plated

* For Lead-Free IR Reflow process

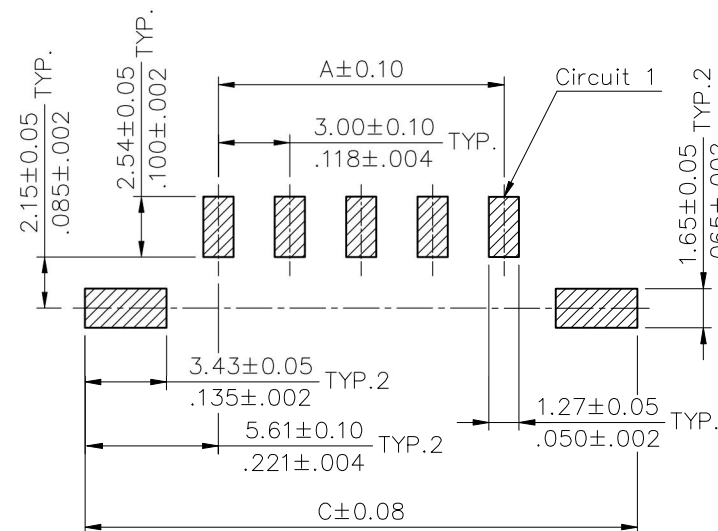
Ordering Code:

CP35 ** P * V S T - S - NH
① ② ③ ④ ⑤ ⑥ ⑦ ⑧ ⑨

- ① Series No.
- ② No. of Circuits: 02~12
- ③ Contact type: P= Plug
- ④ Contact plated:
1= Matte Tin Plated over Nickel
A= Selective Gold Flash Plated over 1.27 μm(50 μ") Nickel
B= Selective 0.38 μm(15 μ") Gold Plated over 1.27 μm(50 μ") Nickel
C= Selective 0.76 μm(30 μ") Gold Plated over 1.27 μm(50 μ") Nickel
- ⑤ V= Straight
- ⑥ Mount type : S= SMT Type
- ⑦ T= With Fixed Tabs
(Reel Packing With Pick&Place PAD)
- ⑧ S= Single Row Header
- ⑨ -NH= For Lead Free IR Reflow Processes and Halogen-Free



CIRCUITS	DIM.A	DIM.B	DIM.C
2	3.00(.118)	9.65(.380)	14.2(.559)
3	6.00(.236)	12.65(.498)	17.2(.677)
4	9.00(.354)	15.65(.616)	20.2(.795)
5	12.00(.472)	18.65(.734)	23.2(.913)
6	15.00(.591)	21.65(.852)	26.2(1.031)
7	18.00(.709)	24.65(.970)	29.2(1.150)
8	21.00(.827)	27.65(1.089)	32.2(1.268)
9	24.00(.945)	30.65(1.207)	35.2(1.386)
10	27.00(1.063)	33.65(1.325)	38.2(1.504)
11	30.00(1.181)	36.65(1.443)	41.2(1.622)
12	33.00(1.299)	39.65(1.561)	44.2(1.740)



Recommended P.C. Board Layout

Lead Free Process

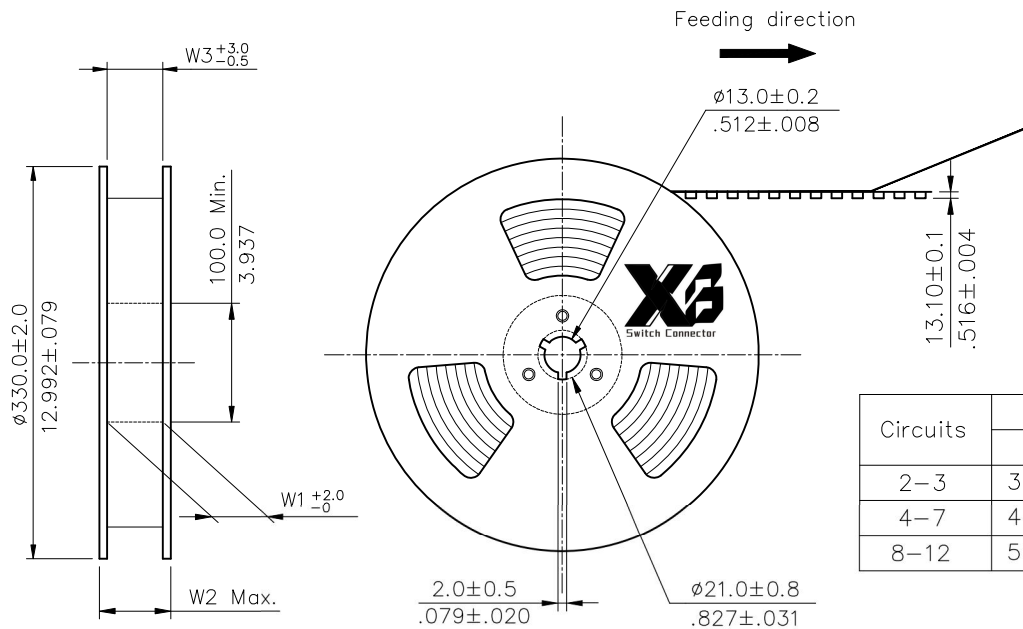
Halogen-Free

RoHS compliant

SYM	NAME	DATE	REVISIONS	APPROVED BY:	DATE
△4					DATE
△3					UNIT: mm / inch
△2	Eric	3/29-21'	ECRT121017/ECNT121085	ENGINEER: Sun	3/31-21'
△1	Yushu	4/15-19'	ECRB118091/ECNT119092	CHECKED BY: Eisley	4/1-21'
				APPROVED BY: Eisley	4/1-21'

TITLE: 3.00mm PITCH STRAIGHT SMT TYPE POWER CONN.
MATERIAL:
FINISH:

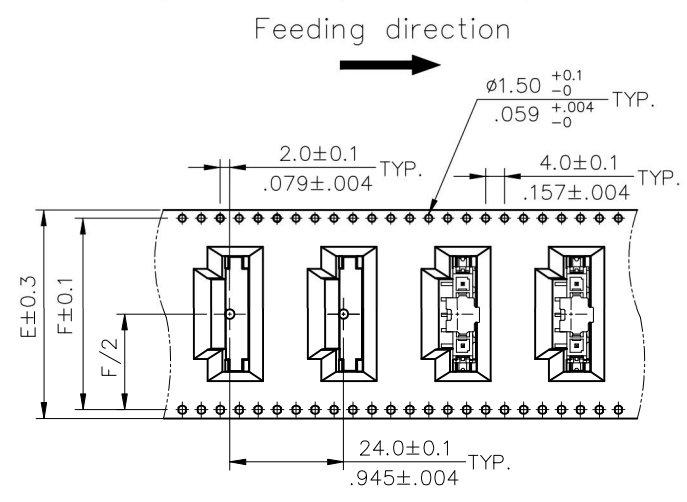
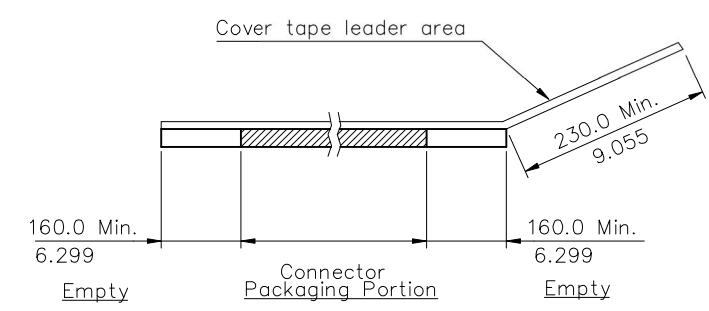
东莞市溪榜电子有限公司 DONG GUAN XI BANG ELECTRONI CS CO., LTD.			
DRAWING NO.	CP35212SC	PART NO.	CP35**P*VST-S-NH
SCALE	3 / 1	SHEET	1 OF 2



NOTE :

- * Reel Material : Corrugated Paper
- * Carrier Material : Transparent, Conductive Polystyrene Alloy
- * Cover Tape Material : Polyester
- * Cover Tape Peel Strength : 0.1N – 1.3N
- * Carrier camber is within 1mm in 250mm
- * All dimensions meet EIA-481-B requirements.
- * Quantity : 200 PCS/Reel

Circuits	Dimension					Packing (Reel/Carton)
	E	F	W1	W2	W3	
2-3	32.0(1.260)	28.40(1.118)	32.5(1.280)	38.5(1.516)	32.5(1.280)	7
4-7	44.0(1.732)	40.40(1.596)	44.5(1.752)	50.5(1.988)	44.5(1.752)	5
8-12	56.0(2.205)	52.40(2.063)	56.5(2.224)	62.5(2.461)	56.5(2.224)	4



WIDTH : 32,44,56 mm Carrier

RoHS Compliant

SYM	NAME	DATE	REVISIONS	APPROVED BY:	DATE	UNIT: mm / inch	TITLE:	DRAWING NO.	SCALE	PART NO.	SHEET	OF
4					DATE	UNIT: mm / inch	TITLE:					
3				DRAWN BY: Eric	3/29-21'	TOLERANCE UNLESS OTHERWISE SPECIFIED						
2	Eric	3/29-21'	ECRT121017/ECNT121085	ENGINEER: Sun	3/31-21'	.X ±	X' ± 1'	MATERIAL:				
1	Yushu	4/15-19'	ECRB118091/ECNT119092	CHECKED BY: Eisley	4/1-21'	.XX ±	.X' ±	CUSTOMER:				
				APPROVED BY: Eisley	4/1-21'	.XXX ±	.XX' ±					

X3 东莞市溪榜电子有限公司
Switch Connector DONG GUAN XI BANG ELECTRONI CS CO., LTD.

DRAWING NO.	CP35212SC	PART NO.	CP35**P*VST-S-NH
SCALE	3 / 1	SHEET	2 OF 2