

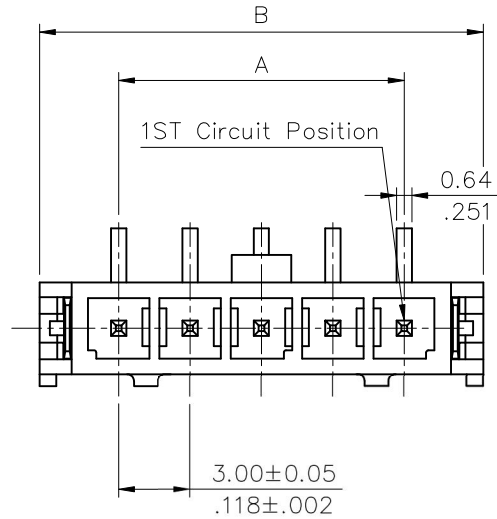
Material:

- * Insulation: High Temperature Plastic
UL 94V-0, Color Black
- * Contact: Brass

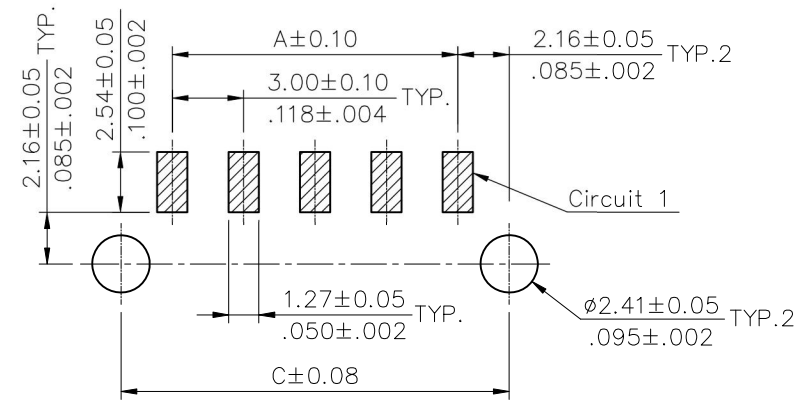
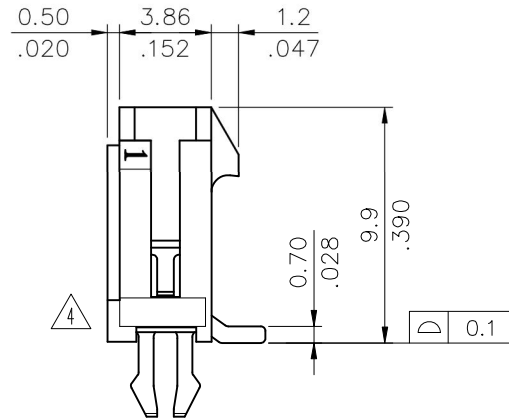
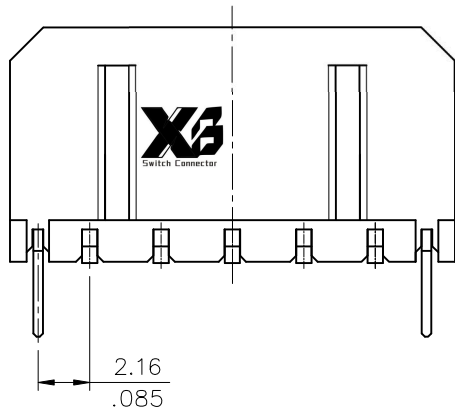
Ordering Code:

CP35 ** P * V S 0 - S - LF
 ① ② ③ ④ ⑤ ⑥ ⑦ ⑧ ⑨

- ① Series No.
- ② No. of Circuits: 02~12
- ③ Contact type: P= Plug
- ④ Contact plated:
 1= Matte Tin Plated over Nickel
 A= Selective Gold Flash Plated over 1.27 μm(50 μ") Nickel
 B= Selective 0.38um(15 μ") Gold Plated over 1.27 μm(50 μ") Nickel
 C= Selective 0.76um(30 μ") Gold Plated over 1.27 μm(50 μ") Nickel
- ⑤ V= Straight
- ⑥ Mount type : S= SMT Type
- ⑦ 0= Standard (with Metal board lock)
- ⑧ S= Single Row Header
- ⑨ LF= Lead Free soldering process



CIRCUITS	DIM.A	DIM.B	DIM.C
2	3.00(.118)	9.65(.380)	7.3(.287)
3	6.00(.236)	12.65(.498)	10.3(.406)
4	9.00(.354)	15.65(.616)	13.3(.524)
5	12.00(.472)	18.65(.734)	16.3(.642)
6	15.00(.591)	21.65(.852)	19.3(.760)
7	18.00(.709)	24.65(.970)	22.3(.878)
8	21.00(.827)	27.65(1.089)	25.3(.996)
9	24.00(.945)	30.65(1.207)	28.3(1.114)
10	27.00(1.063)	33.65(1.325)	31.3(1.232)
11	30.00(1.181)	36.65(1.443)	34.3(1.350)
12	33.00(1.299)	39.65(1.561)	37.3(1.469)



Recommended P.C. Board Layout

Lead Free Process

RoHS Compliant

SYM	NAME	DATE	REVISIONS	APPROVED BY:	DATE	UNIT: mm / inch	TITLE: 3.00mm PITCH STRAIGHT SMT TYPE POWER CONN.	MATERIAL:	FINISH:	DRAWING NO.	PART NO.	SHEET 1 OF 1
④	Eric	3/29-21'	ECRT121017/ECNT121085									
③	Yushu	4/15-19'	ECRB118091/ECNT119092	DRAWN BY:	Eric	3/29-21'	TOLERANCE UNLESS OTHERWISE SPECIFIED			DRAWING NO. CP3570SD	PART NO. CP35**P*VS0-S-LF	SCALE 3 / 1
②	Eager	11/09-07'	ECN07463	ENGINEER:	Sun	3/31-21'						
①	Eager	10/04-07'	ECN07414	CHECKED BY:	Eisley	4/1-21'						
				APPROVED BY:	Eisley	4/1-21'						

东莞市溪榜电子有限公司
 DONG GUAN XI BANG ELECTRONICS CO., LTD.