

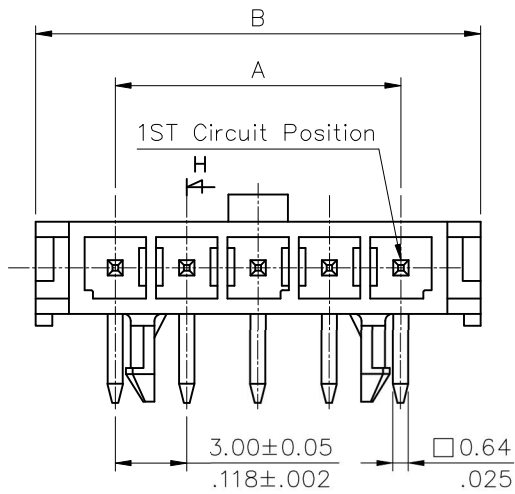
Ordering Code:

CP35 ^① ^② P ^③ * ^④ H 0 0 - S - NH ^⑧ ^⑨

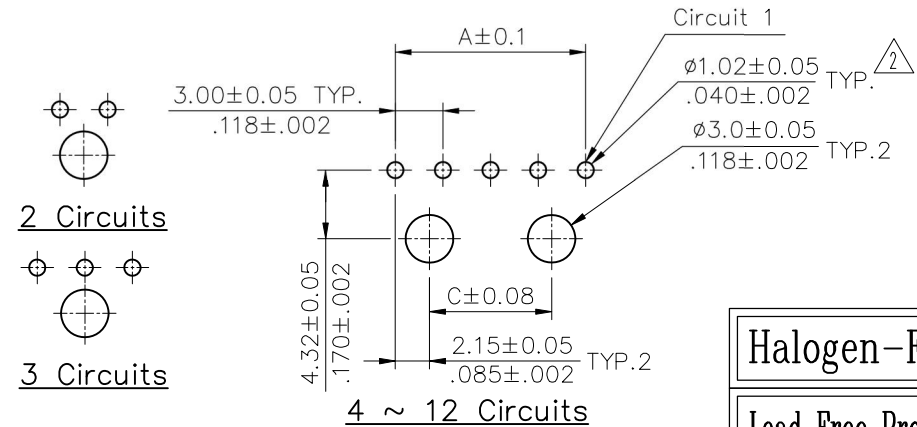
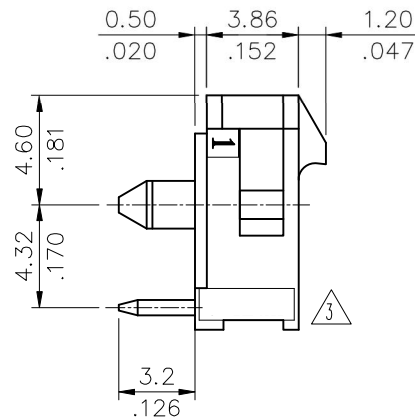
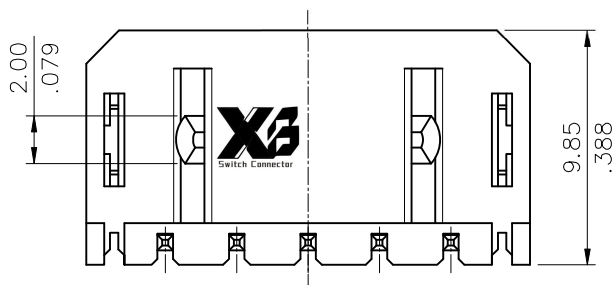
- ① Series No.
- ② No. of Circuits: 02~12
- ③ Contact type: P= Plug
- ④ Contact plated:
 - 1= Matte Tin over Nickel
 - 2= Gold flash plated over 50 μ" Nickel
 - 3= 15 μ" Gold plated over 50 μ" Nickel
 - 4= 30 μ" Gold plated over 50 μ" Nickel
- ⑤ H= Right angle
- ⑥ Mount type : 0= Dip Type
- ⑦ Other options: 0= With plastic board lock (Standard)
- ⑧ S= Single Row Header
- ⑨ NH= Lead Free wave flow process and Halogen Free

Note:

- △* Insulation: High Temperature Plastic
UL 94V-0, Color Black
- * Contact: Brass
- * For Lead Free wave flow process



| CIRCUITS | DIM.A | DIM.B | DIM.C |
|----------|--------------|--------------|-------------|
| 2 | 3.00(.118) | 9.65(.380) | NA |
| 3 | 6.00(.236) | 12.65(.498) | NA |
| 4 | 9.00(.354) | 15.65(.616) | 4.7(.185) |
| 5 | 12.00(.472) | 18.65(.734) | 7.7(.303) |
| 6 | 15.00(.591) | 21.65(.852) | 10.7(.421) |
| 7 | 18.00(.709) | 24.65(.970) | 13.7(.539) |
| 8 | 21.00(.827) | 27.65(1.089) | 16.7(.657) |
| 9 | 24.00(.945) | 30.65(1.207) | 19.7(.776) |
| 10 | 27.00(1.063) | 33.65(1.325) | 22.7(.894) |
| 11 | 30.00(1.181) | 36.65(1.443) | 25.7(1.012) |
| 12 | 33.00(1.299) | 39.65(1.561) | 28.7(1.130) |



Recommended P.C. Board layout

Halogen-Free

Lead Free Process

RoHS Compliant

| SYM | NAME | DATE | REVISIONS | APPROVED BY: | DATE | UNIT: mm / inch | TITLE: 3.00mm PITCH RIGHT ANGLE HEADER POWER CONNECTOR | MATERIAL: | FINISH: | DRAWING NO. | PART NO. | SHEET 1 OF 1 | |
|-----|-------|----------|-----------------------|---------------------|----------|---|---|-----------|---------|-----------------------|---------------------------|--------------|------------------------|
| ④ | | | | | DATE | UNIT: mm / inch | TITLE: 3.00mm PITCH RIGHT ANGLE HEADER POWER CONNECTOR | | | | | | |
| ③ | Eric | 3/29-21' | ECNT121017/ECNT121085 | DRAWN BY: Eric | 3/31-21' | TOLERANCE UNLESS OTHERWISE SPECIFIED | | | | DRAWING NO. CP35176SD | PART NO. CP35**P*H00-S-NH | SCALE 3 / 1 | |
| ② | Kenny | 8/20-20' | ECNT120218 | ENGINEER: Sun | 3/31-21' | | | | | | | | .X ± 0.30/.012 X' ± 1' |
| ① | Yushu | 4/15-19' | ECRB118091/ECNT119092 | CHECKED BY: Eisley | 4/1-21' | | | | | | | | .XX ± 0.20/.008 .X' ± |
| | | | | APPROVED BY: Eisley | 4/1-21' | .XXX ± 0.10/.004 .XX' ± | | | | | | | |

X3 东莞市溪榜电子有限公司
DONG GUAN XI BANG ELECTRONICS CO., LTD.

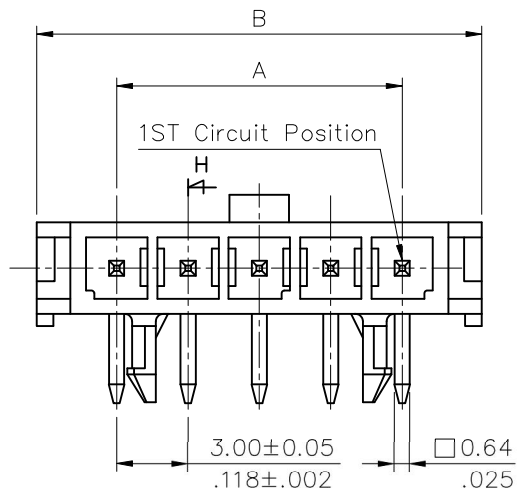
Ordering Code:

CP35 ** P * H 0 0 - S -LF
 ① ② ③ ④ ⑤ ⑥ ⑦ ⑧ ⑨

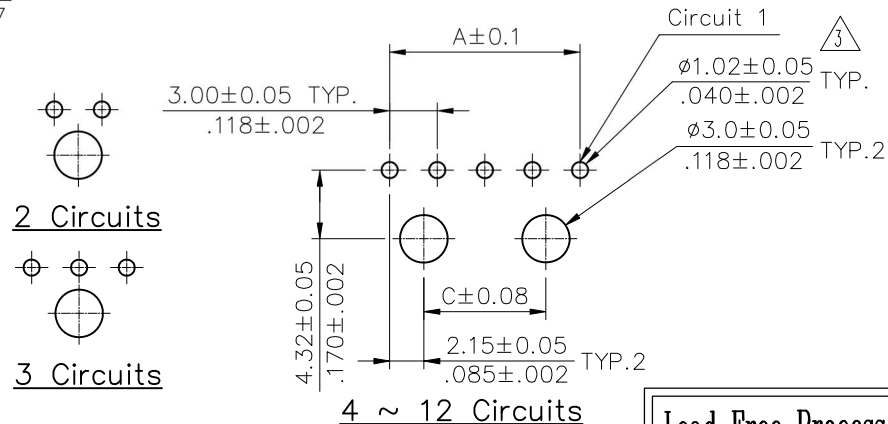
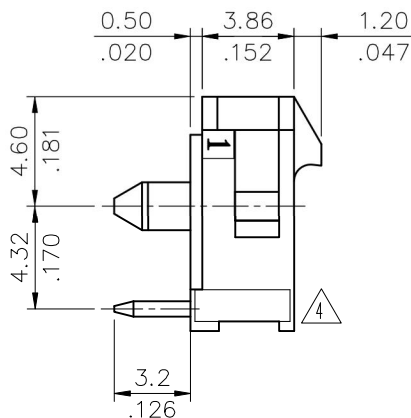
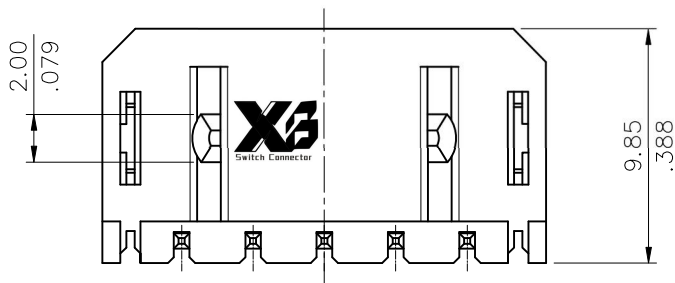
- ① Series No.
- ② No. of Circuits: 02~12
- ③ Contact type: P= Plug
- ④ Contact plated:
 - 1= Matte Tin over Nickel
 - 2= Gold flash plated over 50 μ" Nickel
 - 3= 15 μ" Gold plated over 50 μ" Nickel
 - 4= 30 μ" Gold plated over 50 μ" Nickel
- ⑤ H= Right angle
- ⑥ Mount type : 0= Dip Type
- ⑦ Other options: 0= With plastic board lock (Standard)
- ⑧ S= Single Row Header
- ⑨ LF= Lead Free soldering process

Material:

- △ * Insulation: High Temperature Plastic
UL 94V-0, Color Black
- * Contact: Brass



| CIRCUITS | DIM.A | DIM.B | DIM.C |
|----------|--------------|--------------|-------------|
| 2 | 3.00(.118) | 9.65(.380) | NA |
| 3 | 6.00(.236) | 12.65(.498) | NA |
| 4 | 9.00(.354) | 15.65(.616) | 4.7(.185) |
| 5 | 12.00(.472) | 18.65(.734) | 7.7(.303) |
| 6 | 15.00(.591) | 21.65(.852) | 10.7(.421) |
| 7 | 18.00(.709) | 24.65(.970) | 13.7(.539) |
| 8 | 21.00(.827) | 27.65(1.089) | 16.7(.657) |
| 9 | 24.00(.945) | 30.65(1.207) | 19.7(.776) |
| 10 | 27.00(1.063) | 33.65(1.325) | 22.7(.894) |
| 11 | 30.00(1.181) | 36.65(1.443) | 25.7(1.012) |
| 12 | 33.00(1.299) | 39.65(1.561) | 28.7(1.130) |



Recommended P.C. Board layout

Lead Free Process

RoHS Compliant

| SYM | NAME | DATE | REVISIONS | APPROVED BY: | DATE | UNIT: mm / inch | TITLE: 3.00mm PITCH RIGHT ANGLE HEADER POWER CONNECTOR | MATERIAL: | FINISH: | DRAWING NO. | PART NO. | SHEET 1 OF 1 | | |
|-----|-------|-----------|-----------------------|---------------------|----------|---|---|-----------|---------|----------------------|---------------------------|--------------|------------------|----------|
| △4 | Eric | 3/29-21' | ECRT121017/ECNT121085 | | DATE | UNIT: mm / inch | TITLE: 3.00mm PITCH RIGHT ANGLE HEADER POWER CONNECTOR | | | | | | | |
| △3 | Kenny | 8/20-20' | ECNT120218 | DRAWN BY: Eric | 3/29-21' | TOLERANCE UNLESS OTHERWISE SPECIFIED | | | | DRAWING NO. CP3567SD | PART NO. CP35**P*H00-S-LF | SHEET 1 OF 1 | | |
| △2 | Yushu | 4/11-19' | ECRB118091/ECNT119092 | ENGINEER: Sun | 3/31-21' | | | | | | | | .X ± 0.30/.012 | .X' ± 1' |
| △1 | Eager | 10/04-07' | ECN07414 | CHECKED BY: Eisley | 4/1-21' | | | | | | | | .XX ± 0.20/.008 | .X' ± |
| | | | | APPROVED BY: Eisley | 4/1-21' | | | | | | | | .XXX ± 0.10/.004 | .XX' ± |

X3 东莞市溪榜电子有限公司
 Switch Connector DONG GUAN XI BANG ELECTRONI CS CO., LTD.