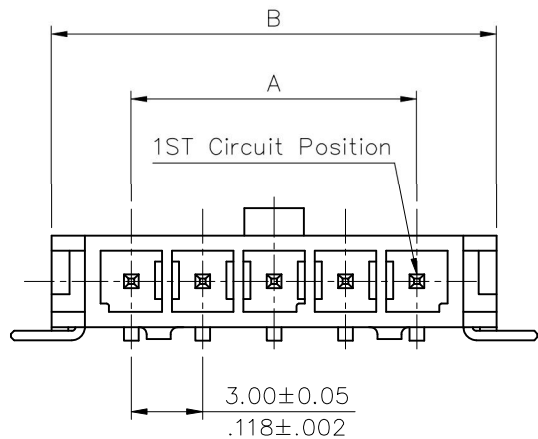
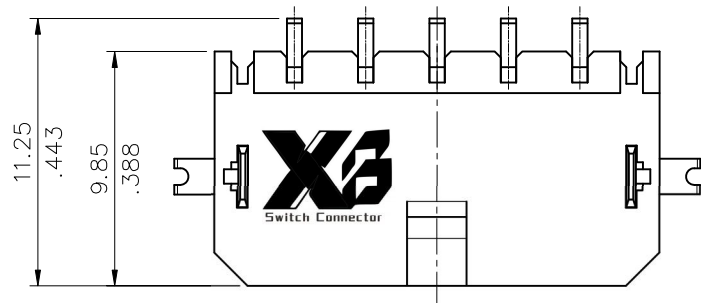


Material:

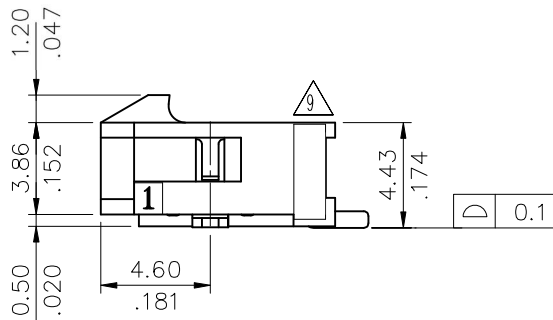
- △ * Insulation: High Temperature Plastic
UL 94V-0, Color Black
- * Contact: Brass
- * Fixed Tabs: Brass with Matte Tin Plated



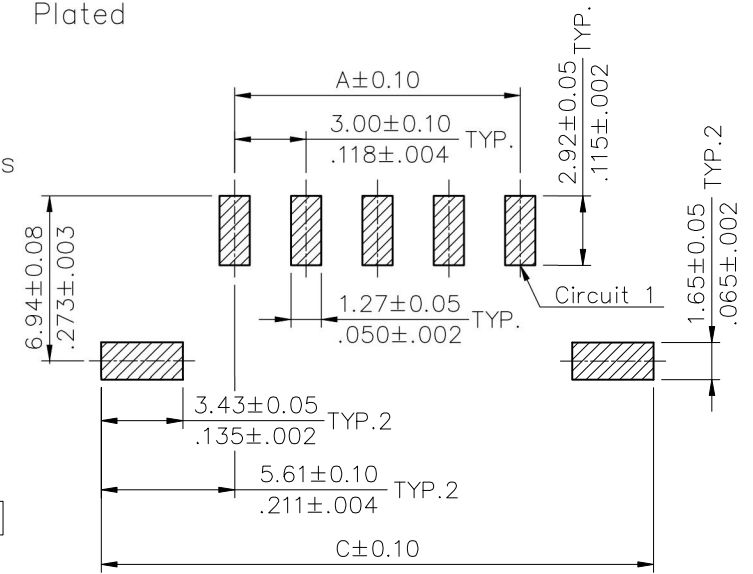
Ordering Code:

CP35 ** P * H S T - S - LF
① ② ③ ④ ⑤ ⑥ ⑦ ⑧ ⑨

- ① Series No.
- ② No. of Circuits: 02~12
- ③ Contact type: P= Plug
- ④ Contact plated:
 - 1= Matte Tin Plated over Nickel
 - A= Selective Gold Flash Plated over 1.27 μm(50 μ") Nickel
 - B= Selective 0.38 μm(15 μ") Gold Plated over 1.27 μm(50 μ") Nickel
 - C= Selective 0.76 μm(30 μ") Gold Plated over 1.27 μm(50 μ") Nickel
- ⑤ H= Right angle type
- ⑥ Mount type : S= SMT Type
- ⑦ Other options: T= With Fixed Tabs
- ⑧ S= Single Row Header
- ⑨ LF= Lead Free soldering process



CIRCUITS	DIM.A	DIM.B	DIM.C
2	3.00(.118)	9.65(.380)	14.2(.559)
3	6.00(.236)	12.65(.498)	17.2(.677)
4	9.00(.354)	15.65(.616)	20.2(.795)
5	12.00(.472)	18.65(.734)	23.2(.913)
6	15.00(.591)	21.65(.852)	26.2(1.031)
7	18.00(.709)	24.65(.970)	29.2(1.150)
8	21.00(.827)	27.65(1.089)	32.2(1.268)
9	24.00(.945)	30.65(1.207)	35.2(1.386)
10	27.00(1.063)	33.65(1.325)	38.2(1.504)
11	30.00(1.181)	36.65(1.443)	41.2(1.622)
12	33.00(1.299)	39.65(1.561)	44.2(1.740)



Recommended P.C. Board Layout

Lead Free Process

RoHS Compliant

SYM	NAME	DATE	REVISIONS	APPROVED BY:	DATE	UNIT: mm / inch	TITLE: 3.00mm PITCH RIGHT ANGLE SMT TYPE POWER CONN.	DRAWING NO. CP3566SI	PART NO. CP35**P*HST-S-LF	SCALE 3 / 1	SHEET 1 OF 2
△9	Eric	3/29-21'	ECRT121017/ECNT121085								
△8	Yushu	4/11-19'	ECRB118091/ECNT119092	DRAWN BY: Eric	3/29-21'	TOLERANCE UNLESS OTHERWISE SPECIFIED					
△7	Sandy	7/2-12'	ECN12127-0	ENGINEER: Sun	3/31-21'	.X ± 0.30/.012 X' ± 1'	MATERIAL:				
△6	Sandy	6/15-12'	ECN12105-0	CHECKED BY: Eisley	4/1-21'	.XX ± 0.20/.008 .X' ±	FINISH:				
				APPROVED BY: Eisley	4/1-21'	.XXX ± 0.10/.004 .XX' ±					

X3 东莞市溪榜电子有限公司
Switch Connector DONG GUAN XI BANG ELECTRONI CS CO., LTD.

Notes:

△ * Insulation: High Temperature Plastic
UL 94V-0, Color Black

* Contact: Brass

* Fixed Tabs: Brass with Matte Tin Plated

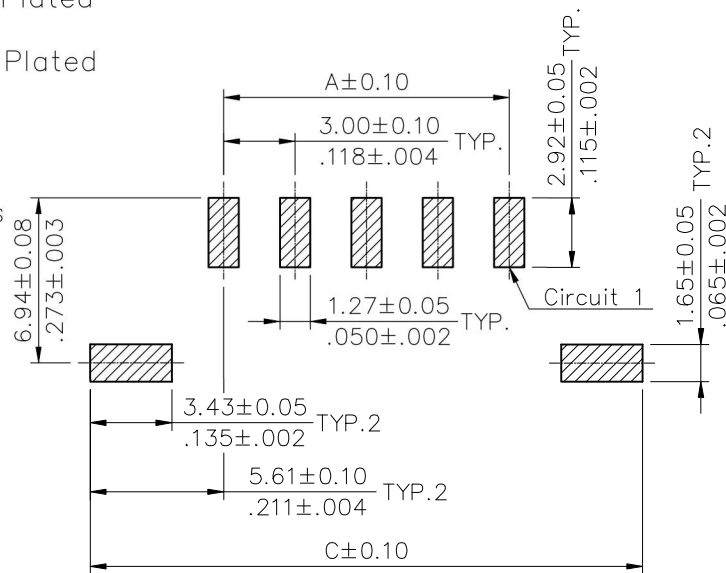
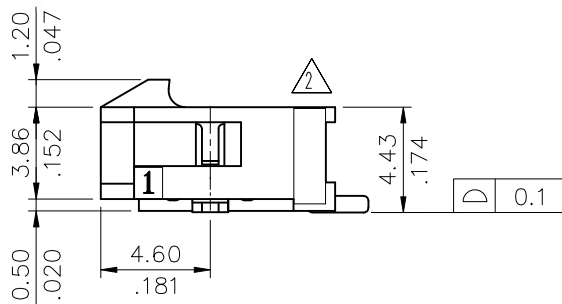
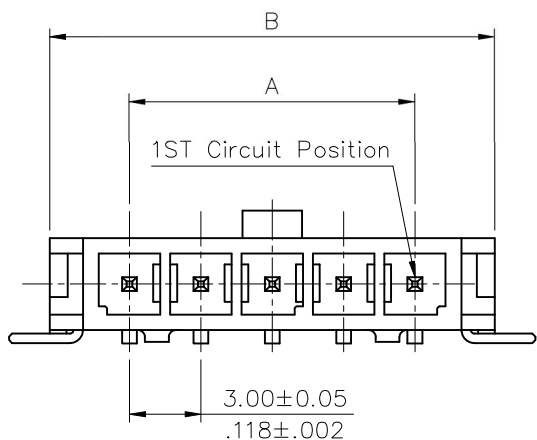
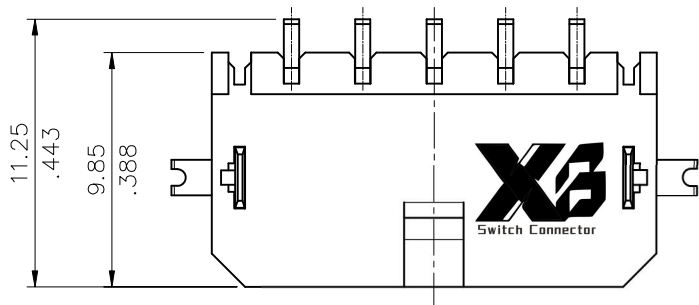
* For Lead Free IR reflow Processes

Ordering Code:

CP35 ^① ^② ^③ ^④ ^⑤ ^⑥ ^⑦ - ^⑧ - ^⑨

- ① Series No.
- ② No. of Circuits: 02~12
- ③ Contact type: P= Plug
- ④ Contact plated:
 - 1= Matte Tin Plated over Nickel
 - A= Selective Gold Flash Plated over 1.27 μm(50 μ") Nickel
 - B= Selective 0.38 μm(15 μ") Gold Plated over 1.27 μm(50 μ") Nickel
 - C= Selective 0.76 μm(30 μ") Gold Plated over 1.27 μm(50 μ") Nickel
- ⑤ H= Right angle type
- ⑥ Mount type : S= SMT Type
- ⑦ Other options: T= With Fixed Tabs
- ⑧ S= Single Row Header
- ⑨ NH= For Lead Free IR Processes and Halogen-Free

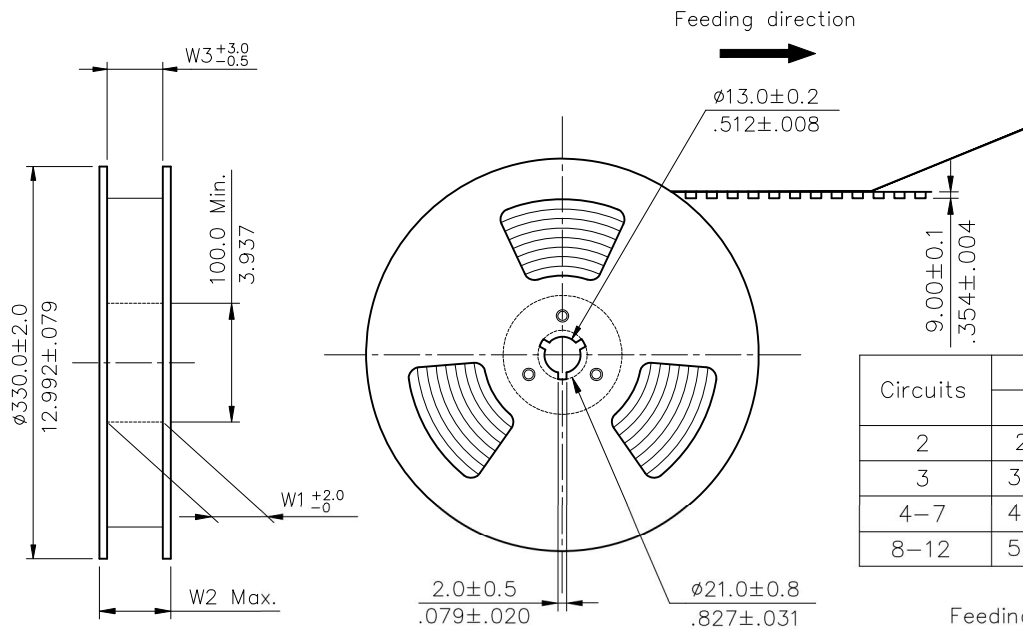
CIRCUITS	DIM.A	DIM.B	DIM.C
2	3.00(.118)	9.65(.380)	14.2(.559)
3	6.00(.236)	12.65(.498)	17.2(.677)
4	9.00(.354)	15.65(.616)	20.2(.795)
5	12.00(.472)	18.65(.734)	23.2(.913)
6	15.00(.591)	21.65(.852)	26.2(1.031)
7	18.00(.709)	24.65(.970)	29.2(1.150)
8	21.00(.827)	27.65(1.089)	32.2(1.268)
9	24.00(.945)	30.65(1.207)	35.2(1.386)
10	27.00(1.063)	33.65(1.325)	38.2(1.504)
11	30.00(1.181)	36.65(1.443)	41.2(1.622)
12	33.00(1.299)	39.65(1.561)	44.2(1.740)



Recommended P.C. Board Layout

Halogen-Free Lead Free Process RoHS Compliant

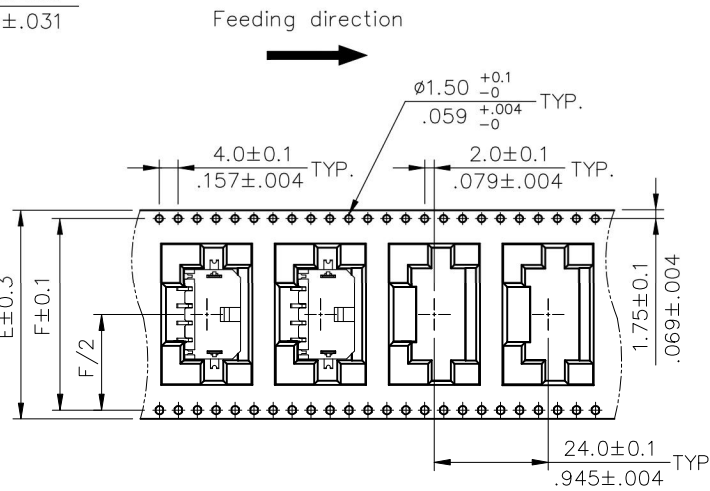
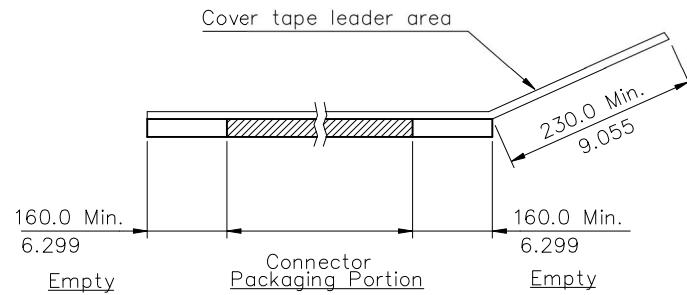
△4					DATE	UNIT: mm / inch	TITLE: 3.00mm PITCH RIGHT ANGLE SMT TYPE POWER CONN.	东莞市溪榜电子有限公司 DONG GUAN XI BANG ELECTRONI CS CO., LTD.
△3					DRAWN BY: Eric	TOLERANCE UNLESS OTHERWISE SPECIFIED	MATERIAL:	
△2	Eric	3/29-21'	ECRT121017/ECNT121085	ENGINEER:	Sun	3/31-21'	.X ± 0.30/.012 .X' ± 1'	DRAWING NO. CP35118SC
△1	Yushu	4/15-19'	ECRB118091/ECNT119092	CHECKED BY:	Eisley	4/1-21'	.XX ± 0.20/.008 .X' ±	PART NO. CP35**P*HST-S-NH
SYM	NAME	DATE	REVISIONS	APPROVED BY:	Eisley	4/1-21'	.XXX ± 0.10/.004 .XX' ±	SCALE 3 / 1
								SHEET 1 OF 2



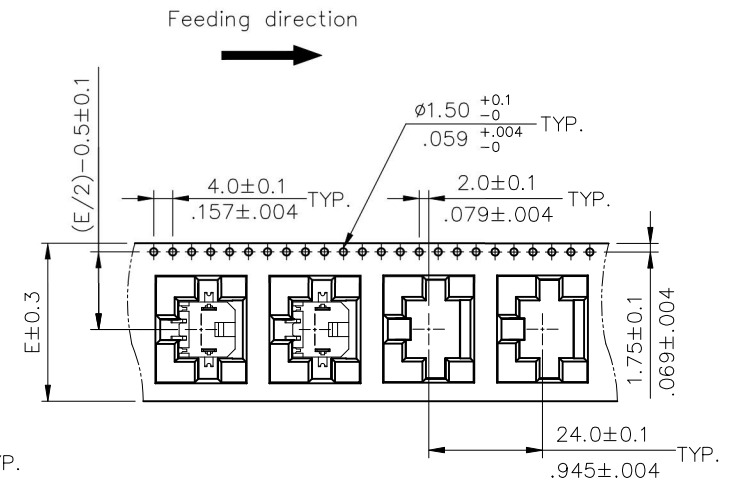
NOTE :

- * Reel Material : Corrugated Paper
- * Carrier Material : Transparent,Conductive Polystyrene Alloy
- * Cover Tape Material : Polyester
- * Cover Tape Peel Strength : 0.1N – 1.3N
- * Carrier camber is within 1mm in 250mm
- * All dimensions meet EIA-481-B requirements.
- * Quantity : 320 PCS/Reel

Circuits	Dimension					Packing (Reel/Carton)
	E	F	W1	W2	W3	
2	24.0(.945)	-	24.5(.965)	30.5(1.200)	24.5(.965)	9
3	32.0(1.260)	28.40(1.118)	32.5(1.280)	38.5(1.516)	32.5(1.280)	7
4-7	44.0(1.732)	40.40(1.596)	44.5(1.752)	50.5(1.988)	44.5(1.752)	5
8-12	56.0(2.205)	52.40(2.063)	56.5(2.224)	62.5(2.461)	56.5(2.224)	4



WIDTH : 32,44,56 mm Carrier



WIDTH : 24 mm Carrier

RoHS Compliant

SYM	NAME	DATE	REVISIONS	APPROVED BY:	DATE	UNIT: mm / inch	TITLE: 3.00mm PITCH RIGHT ANGLE SMT TYPE POWER CONN.	MATERIAL:	CUSTOMER:	SCALE	SHEET 2 OF 2
4					DATE	UNIT: mm / inch	TITLE: 3.00mm PITCH RIGHT ANGLE SMT TYPE POWER CONN.	MATERIAL:	CUSTOMER:	SCALE	SHEET 2 OF 2
3				DRAWN BY: Eric	3/29-21'	TOLERANCE UNLESS OTHERWISE SPECIFIED					
2	Eric	3/29-21'	ECRT121017/ECNT121085	ENGINEER: Sun	3/31-21'	.X ±	X' ± 1'				
1	Yushu	4/15-19'	ECRB118091/ECNT119092	CHECKED BY: Eisley	4/1-21'	.XX ±	.X' ±				
				APPROVED BY: Eisley	4/1-21'	.XXX ±	.XX' ±				

东莞市溪榜电子有限公司
DONG GUAN XI BANG ELECTRONICS CO., LTD.

DRAWING NO. CP35118SC PART NO. CP35**P*HST-S-NH