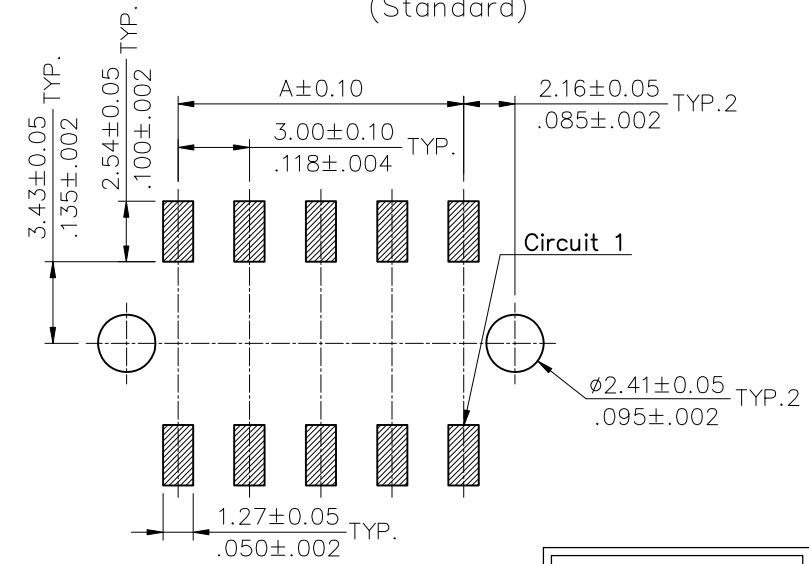
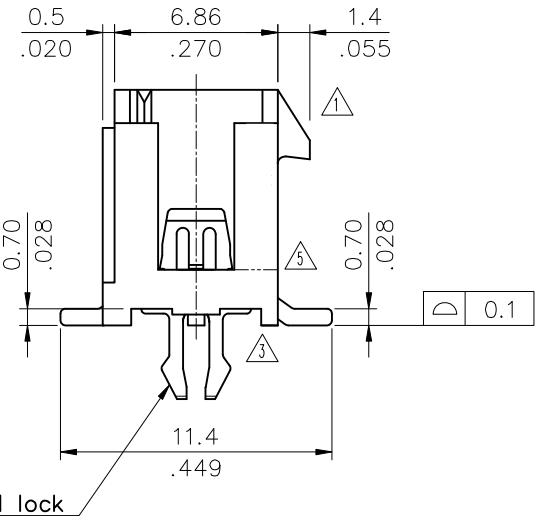
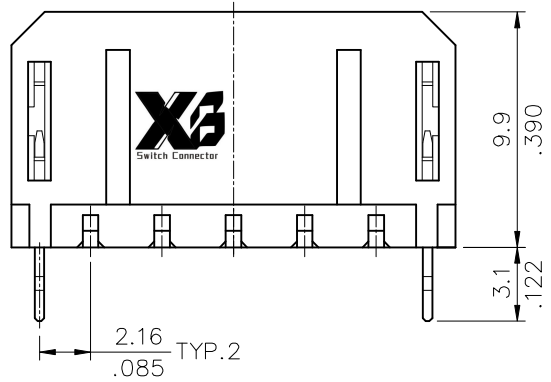


Material:  
 △ \* Insulation: High Temperature Plastic  
 Color Black  
 \* Contact: Brass

Ordering Code:  
 CP35 \*\* P \* V S 0  
 ① ② ③ ④ ⑤ ⑥ ⑦

CIRCUITS	DIM. A	DIM. B
2		6.7(.264)
4	3.00(.118)	9.7(.382)
6	6.00(.236)	12.7(.500)
8	9.00(.354)	15.7(.618)
10	12.00(.472)	18.7(.736)
12	15.00(.591)	21.7(.854)
14	18.00(.709)	24.7(.972)
16	21.00(.827)	27.7(1.091)
18	24.00(.945)	30.7(1.209)
20	27.00(1.063)	33.7(1.327)
22	30.00(1.181)	36.7(1.445)
24	33.00(1.299)	39.7(1.563)

- ① Series No.
- ② No. of Circuits: 02~24
- ③ Contact type: P= Plug
- ④ Contact plated:  
 1= Tin Plated over Nickel  
 A= Selective Gold Flash Plated over 1.27μm(50μ") Nickel  
 B= Selective 0.38μm(15μ") Gold Plated over 1.27μm(50μ") Nickel  
 C= Selective 0.76μm(30μ") Gold Plated over 1.27μm(50μ") Nickel
- ⑤ V= Straight
- ⑥ Mount type : S= SMT Type
- ⑦ Other options: 0= With metal board lock (Standard)



Metal board lock

Recommended P.C. Board Layout

RoHS Compliant

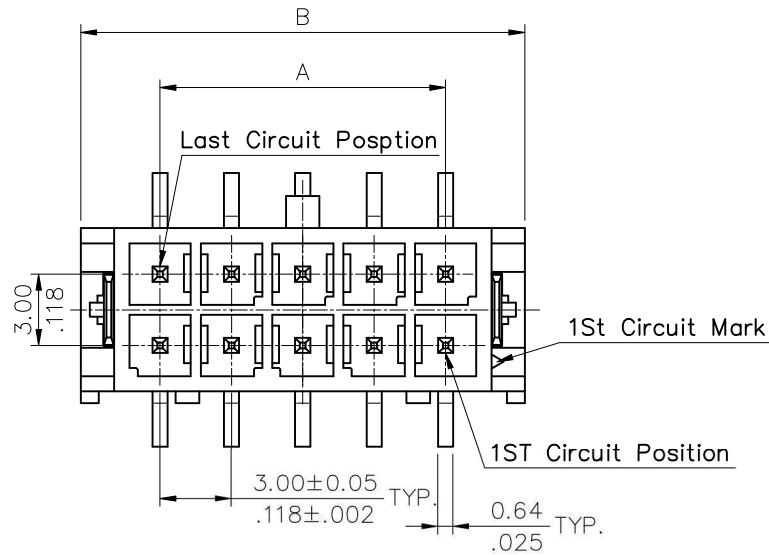
SYM	NAME	DATE	REVISIONS	APPROVED BY:	DATE	UNIT: mm / inch	TITLE: 3.00mm PITCH STRAIGHT SMT TYPE POWER CONN.
△5	Eric	3/29-21'	ECRT121017/ECNT121085				
△4	Michelle	11/12-19'	ECRB11905/ECNT119313	DRAWN BY:	Eric	3/29-21'	TOLERANCE UNLESS OTHERWISE SPECIFIED
△3	Sandy	2/3-12'	ECN12010	ENGINEER:	Sun	3/31-21'	.X ± 0.30/012 X' ± 1'
△2	Sun	12/12-05'	ECN05428	CHECKED BY:	Eisley	4/1-21'	.XX ± 0.20/008 .X' ±
				APPROVED BY:	Eisley	4/1-21'	.XXX ± 0.10/004 .XX' ±

MATERIAL:		DRAWING NO. CP3510SJ		PART NO. CP35**P*VS0	
		SCALE 3 / 1		SHEET 1 OF 1	

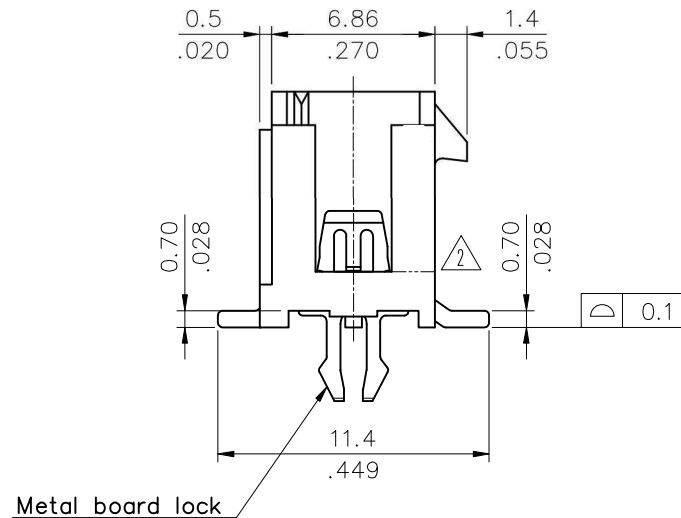
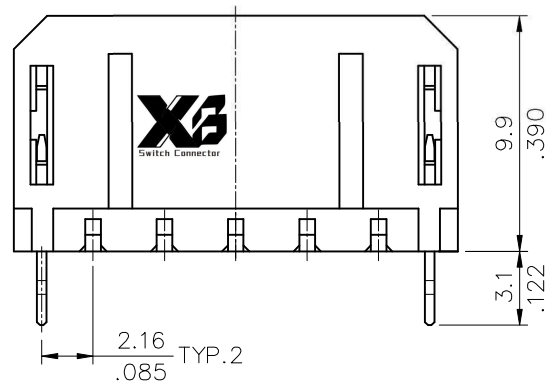
**XB** 东莞市溪榜电子有限公司  
 DONG GUAN XI BANG ELECTRONICS CO., LTD.

Notes:

- ① \* Insulation: High temperature plastic, Color Black
- \* Contact: Brass
- \* For Lead Free IR Process



CIRCUITS	DIM. A	DIM. B
2	—	6.7(.264)
4	3.00(.118)	9.7(.382)
6	6.00(.236)	12.7(.500)
8	9.00(.354)	15.7(.618)
10	12.00(.472)	18.7(.736)
12	15.00(.591)	21.7(.854)
14	18.00(.709)	24.7(.972)
16	21.00(.827)	27.7(1.091)
18	24.00(.945)	30.7(1.209)
20	27.00(1.063)	33.7(1.327)
22	30.00(1.181)	36.7(1.445)
24	33.00(1.299)	39.7(1.563)



Lead Free Process

Halogen-Free

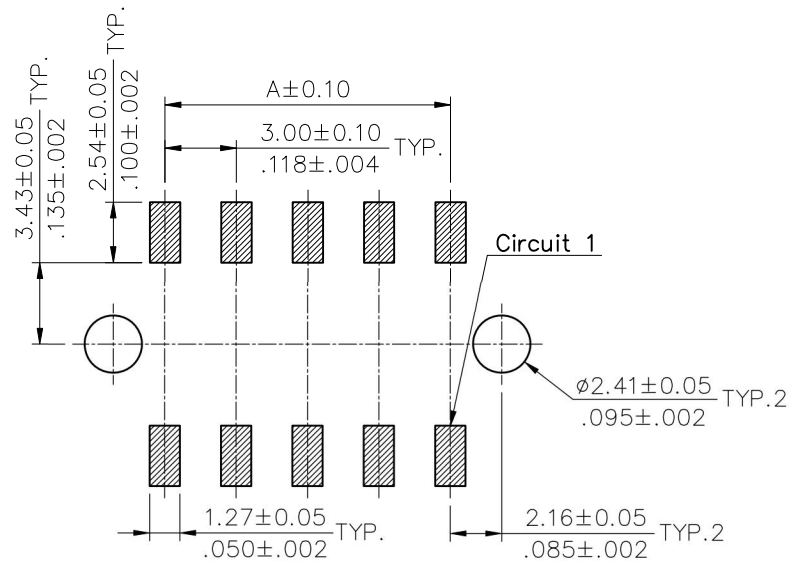
RoHS Compliant

SYM	NAME	DATE	REVISIONS	APPROVED BY:	DATE	UNIT: mm / inch	TITLE: 3.00mm PITCH STRAIGHT SMT TYPE POWER CONN.
④							
③				DRAWN BY: Eric	3/29-21'	TOLERANCE UNLESS OTHERWISE SPECIFIED .X ± 0.30/.012    .X* ± 1' .XX ± 0.20/.008    .X* ± .XXX ± 0.10/.004    .XX* ±	MATERIAL:  FINISH:
②	Eric	3/29-21'	ECRT121017/ECNT121085	ENGINEER: Sun	3/31-21'		
①	Michelle	11/18-19'	ECRB11905/ECNT119313	CHECKED BY: Eisley	4/1-21'		
				APPROVED BY: Eisley	4/1-21'		

**X3** 东莞市溪榜电子有限公司  
DONG GUAN XI BANG ELECTRONI CS CO., LTD.

DRAWING NO. CP35213SC    PART NO. CP35\*\*P\*VS0-NH

SCALE 3 / 1    SHEET 1 OF 2



Recommended P.C. Board Layout

Ordering Code:

CP35 \*\* P \* V S 0 - NH  
 ① ② ③ ④ ⑤ ⑥ ⑦ ⑧

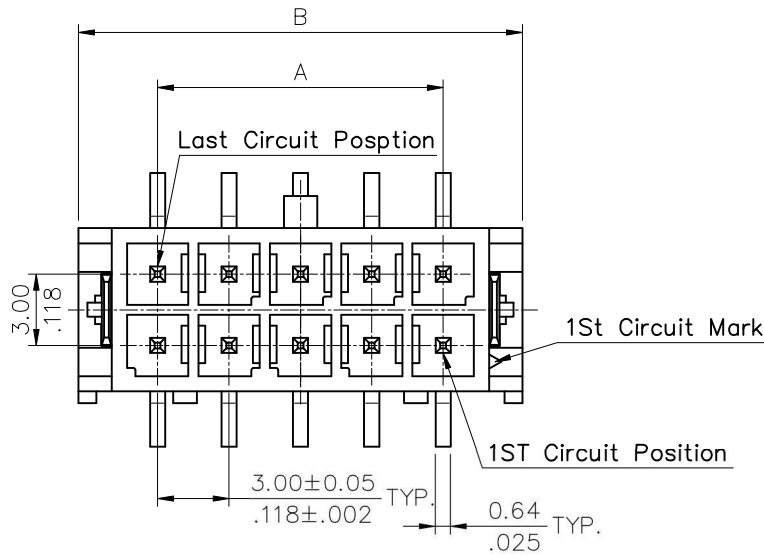
- ① Series No.
- ② No. of Circuite: 02~24
- ③ Contact type: P= Plug
- ④ Contact plated:
  - 1= Matte Tin Plated over Nickel
  - A= Selective Gold Flash Plated over 1.27  $\mu\text{m}$ (50  $\mu$ " ) Nickel
  - B= Selective 0.38  $\mu\text{m}$ (15  $\mu$ " ) Gold Plated over 1.27  $\mu\text{m}$ (50  $\mu$ " ) Nickel
  - C= Selective 0.76  $\mu\text{m}$ (30  $\mu$ " ) Gold Plated over 1.27  $\mu\text{m}$ (50  $\mu$ " ) Nickel
- ⑤ V= Straight
- ⑥ Mount type : S= SMT Type
- ⑦ Other options: 0= With metal board lock (Standard)
- ⑧ -NH= For Lead Free IR Reflow Processes and Halogen-Free

Lead Free Process

Halogen-Free

RoHS compliant

④					DATE	UNIT: mm / inch	TITLE: 3.00mm PITCH STRAIGHT SMT TYPE POWER CONN.																								
③				DRAWN BY: Eric	3/29-21'	TOLERANCE UNLESS OTHERWISE SPECIFIED	MATERIAL:  FINISH:																								
②	Eric	3/29-21'	ECRT121017/ECNT121085	ENGINEER: Sun	3/31-21'	.X ± 0.30/.012 X' ± 1"																									
①	Michelle	11/18-19'	ECRB11905/ECNT119313	CHECKED BY: Eisley	4/1-21'	.XX ± 0.20/.008 .X' ±																									
SYM	NAME	DATE	REVISIONS	APPROVED BY: Eisley	4/1-21'	.XXX ± 0.10/.004 .XX' ±																									
<table border="1" style="width: 100%; border-collapse: collapse;"> <tr> <td colspan="2" style="text-align: center;"></td> <td colspan="6" style="text-align: center;"><b>东莞市溪榜电子有限公司</b> DONG GUAN XI BANG ELECTRONI CS CO., LTD.</td> </tr> <tr> <td>DRAWING NO.</td> <td>CP35213SC</td> <td>PART NO.</td> <td colspan="5">CP35**P*VS0-NH</td> </tr> <tr> <td>SCALE</td> <td>3 / 1</td> <td>SHEET</td> <td>2</td> <td>OF</td> <td>2</td> <td colspan="2"></td> </tr> </table>										<b>东莞市溪榜电子有限公司</b> DONG GUAN XI BANG ELECTRONI CS CO., LTD.						DRAWING NO.	CP35213SC	PART NO.	CP35**P*VS0-NH					SCALE	3 / 1	SHEET	2	OF	2		
		<b>东莞市溪榜电子有限公司</b> DONG GUAN XI BANG ELECTRONI CS CO., LTD.																													
DRAWING NO.	CP35213SC	PART NO.	CP35**P*VS0-NH																												
SCALE	3 / 1	SHEET	2	OF	2																										

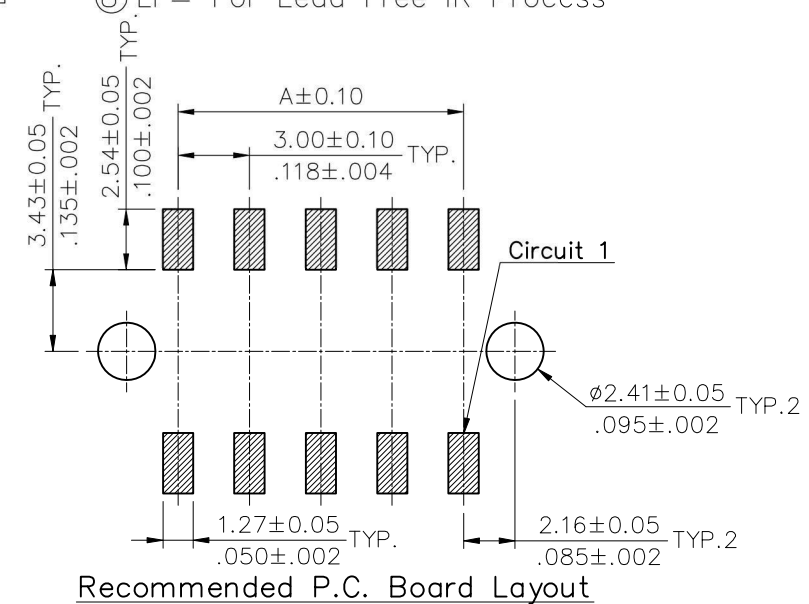
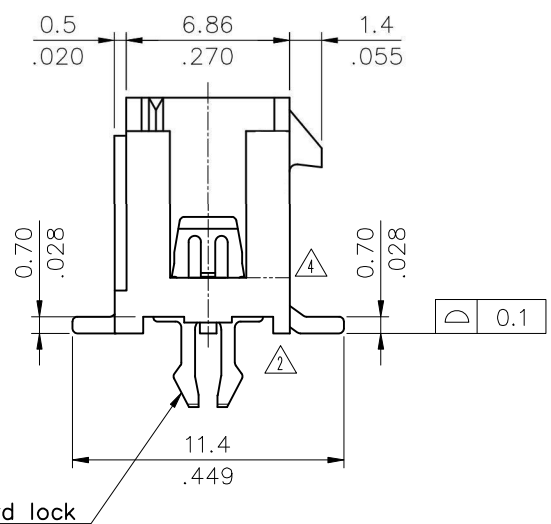
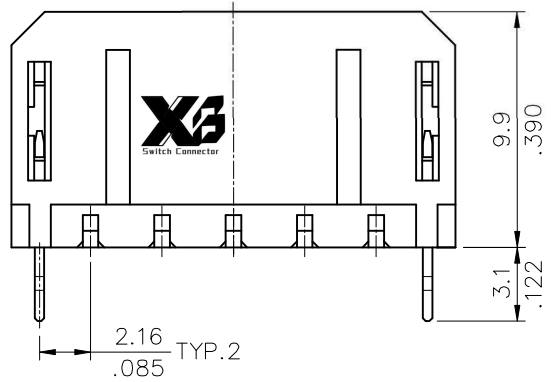


Material:  
 △3 \* Insulation: High Temperature Plastic  
 Color Black  
 \* Contact: Brass

CIRCUITS	DIM. A	DIM. B
2		6.7(.264)
4	3.00(.118)	9.7(.382)
6	6.00(.236)	12.7(.500)
8	9.00(.354)	15.7(.618)
10	12.00(.472)	18.7(.736)
12	15.00(.591)	21.7(.854)
14	18.00(.709)	24.7(.972)
16	21.00(.827)	27.7(1.091)
18	24.00(.945)	30.7(1.209)
20	27.00(1.063)	33.7(1.327)
22	30.00(1.181)	36.7(1.445)
24	33.00(1.299)	39.7(1.563)

Ordering Code:  
 CP35 \*\* P \* V S 0 - LF  
 ① ② ③ ④ ⑤ ⑥ ⑦ ⑧

- ① Series No.
- ② No. of Circuits: 02~24
- ③ Contact type: P= Plug
- ④ Contact plated:  
 1= Tin Plated over Nickel  
 A= Selective Gold Flash Plated over 1.27 μm(50 μ") Nickel  
 B= Selective 0.38 μm(15 μ") Gold Plated over 1.27 μm(50 μ") Nickel  
 C= Selective 0.76 μm(30 μ") Gold Plated over 1.27 μm(50 μ") Nickel
- ⑤ V= Straight
- ⑥ Mount type : S= SMT Type
- ⑦ Other options: 0= With metal board lock (Standard)
- ⑧ LF= For Lead Free IR Process



RoHS Compliant

SYM	NAME	DATE	REVISIONS	APPROVED BY:	DATE	UNIT: mm / inch	TITLE: 3.00mm PITCH STRAIGHT SMT TYPE POWER CONN.
△4	Eric	3/29-21'	ECRT121017/ECNT121085				
△3	Michelle	11/12-19'	ECRB11905/ECNT119313	DRAWN BY: Eric	3/29-21'	TOLERANCE UNLESS OTHERWISE SPECIFIED .X ± 0.30/.012 X' ± 1' .XX ± 0.20/.008 .X' ± .XXX ± 0.10/.004 .XX' ±	MATERIAL:  FINISH:
△2	Sandy	2/3-12'	ECN12010	ENGINEER: Sun	3/31-21'		
△1	Sun	12/12-05'	ECN05428	CHECKED BY: Eisley	4/1-21'		
				APPROVED BY: Eisley	4/1-21'		

**XB** 东莞市溪榜电子有限公司  
 Switch Connector DONG GUAN XI BANG ELECTRONI CS CO., LTD.

DRAWING NO.	CP3543SE	PART NO.	CP35**P*VS0-LF
SCALE	3 / 1	SHEET	1 OF 1