

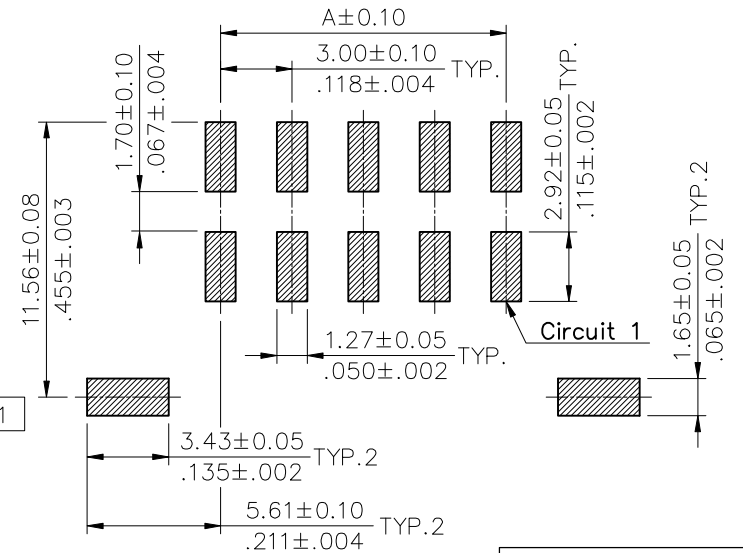
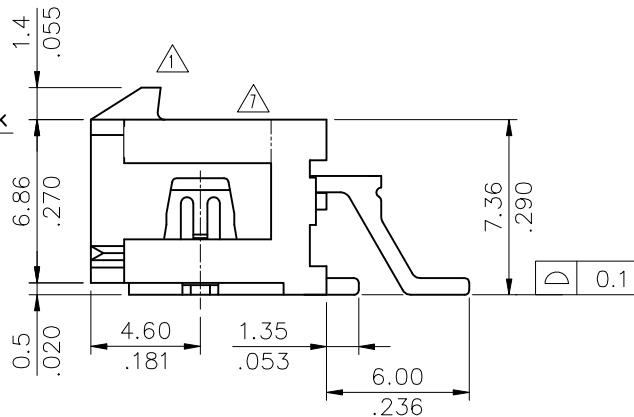
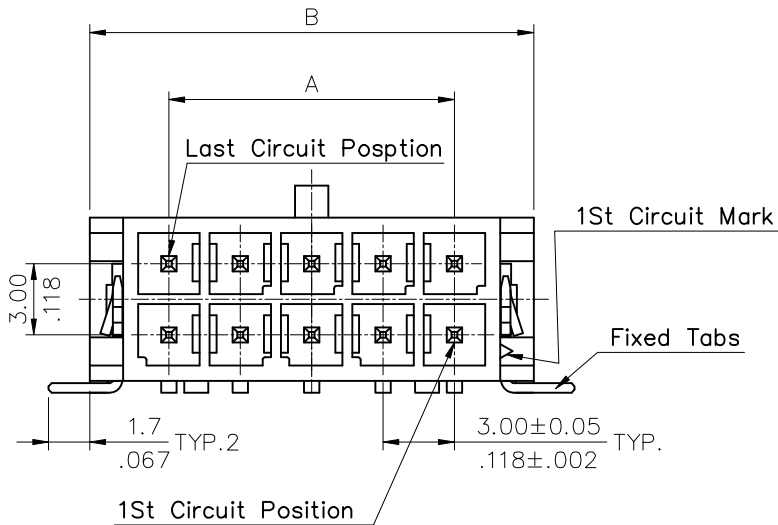
Material:
 ⚠️ * Insulation: High Temperature Plastic, Color Black
 * Contact: Brass
 * Fixed Tabs: Brass with Tin Plated

Ordering Code:

CP35 ** P * H S T
 ① ② ③ ④ ⑤ ⑥ ⑦

- ① Series No.
- ② No. of Circuits: 02~24
- ③ Contact type: P= Plug
- ④ Contact plated:
 - 1= Tin Plated over Nickel
 - A= Selective Gold Flash Plated over 1.27μm(50μ") Nickel
 - B= Selective 0.38μm(15μ") Gold Plated over 1.27μm(50μ") Nickel
 - C= Selective 0.76μm(30μ") Gold Plated over 1.27μm(50μ") Nickel
- ⑤ H= Right angle type
- ⑥ Mount type : S= SMT Type
- ⑦ Other options: T= With Fixed Tabs

CIRCUITS	DIM. A	DIM. B
2	—	6.7(.264)
4	3.00(.118)	9.7(.382)
6	6.00(.236)	12.7(.500)
8	9.00(.354)	15.7(.618)
10	12.00(.472)	18.7(.736)
12	15.00(.591)	21.7(.854)
14	18.00(.709)	24.7(.972)
16	21.00(.827)	27.7(1.091)
18	24.00(.945)	30.7(1.209)
20	27.00(1.063)	33.7(1.327)
22	30.00(1.181)	36.7(1.445)
24	33.00(1.299)	39.7(1.563)

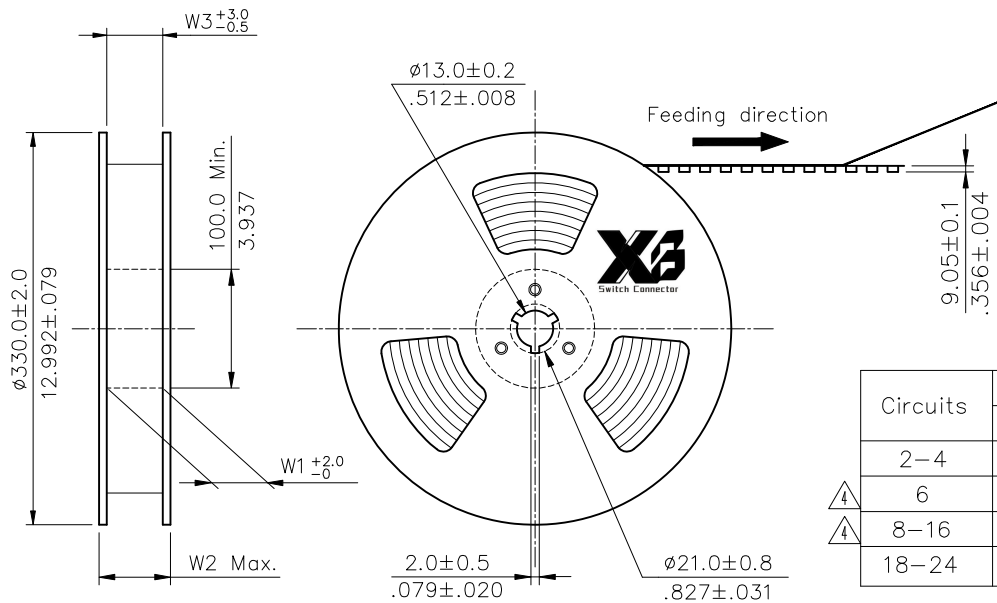


Recommended P.C. Board Layout

RoHS Compliant

SYM	NAME	DATE	REVISIONS	APPROVED BY:	DATE	UNIT: mm / inch	TITLE: 3.00mm PITCH RIGHT ANGLE SMT TYPE POWER CONN.	DRAWING NO. CP3508SK PART NO. CP35**P*HST		
7	Eric	3/29-21'	ECRT121017/ECNT121085					DONG GUAN XI BANG ELECTRONICS CO., LTD.		
6	Michelle	11/12-19'	ECRB11905/ECNT119313	DRAWN BY:	Eric	3/29-21'	TOLERANCE UNLESS OTHERWISE SPECIFIED	DRAWING NO. CP3508SK PART NO. CP35**P*HST		
5	Sun	3/03-12'	ECR11051-1/ECN11229	ENGINEER:	Sun	3/31-21'	.X ± 0.30/.012 X' ± 1'	SCALE 3 / 1 SHEET 1 OF 2		
4	Steven	1/5-11'	ECN11002	CHECKED BY:	Eisley	4/1-21'	.XX ± 0.20/.008 .X' ±			
				APPROVED BY:	Eisley	4/1-21'	.XXX ± 0.10/.004 .XX' ±			

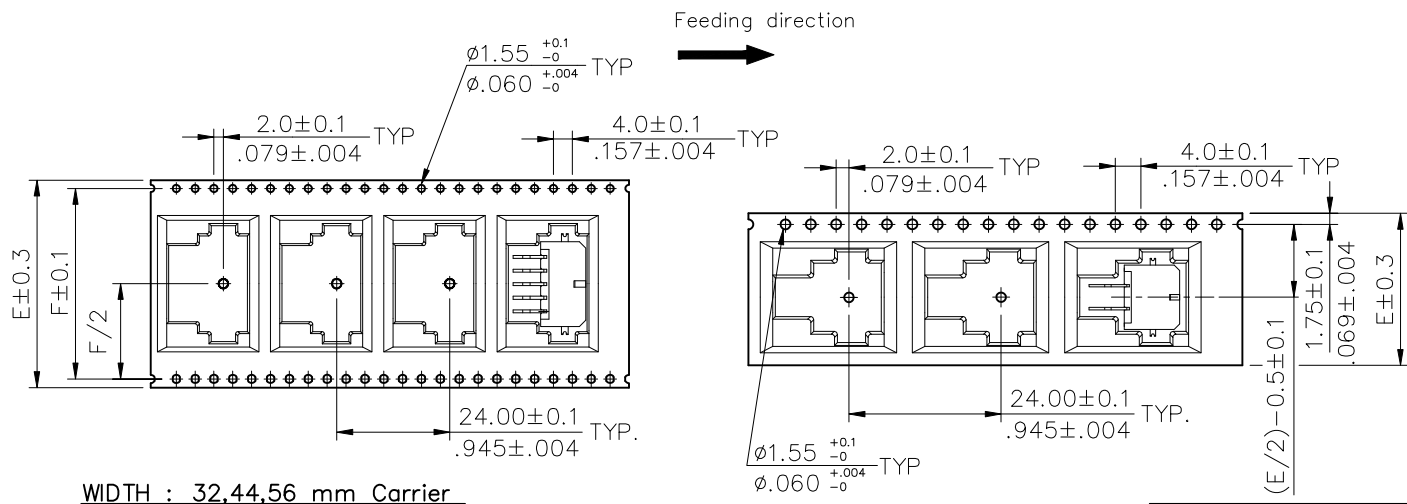
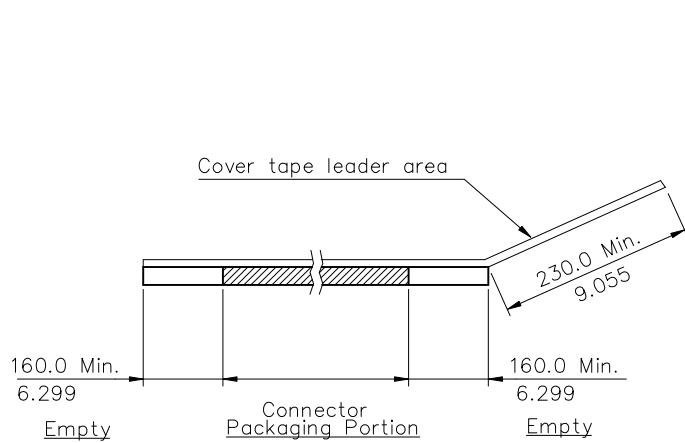
东莞市溪榜电子有限公司
 DONG GUAN XI BANG ELECTRONICS CO., LTD.



NOTE :

- △5 * Reel Material : Corrugated Paper
- * Carrier Material : Black,Conductive Polystyrene Alloy
- * Cover Tape Material : Polyester
- * Cover Tape Peel Strength : 0.1N – 1.3N
- * Carrier camber is within 1mm in 250mm
- * All dimensions meet EIA-481-B requirements.
- * Quantity : 250 PCS/Reel

Circuits	Dimension					Packing (Reel/Carton)
	E	F	W1	W2	W3	
2-4	24.0(.945)	-	24.5(.965)	30.5(1.200)	24.5(.965)	9
△4 6	32.0(1.260)	28.40(1.118)	32.5(1.280)	38.5(1.516)	32.5(1.280)	7
△4 8-16	44.0(1.732)	40.40(1.596)	44.5(1.752)	50.5(1.988)	44.5(1.752)	5
18-24	56.0(2.205)	52.40(2.063)	56.5(2.224)	62.5(2.461)	56.5(2.224)	4



WIDTH : 32.44,56 mm Carrier

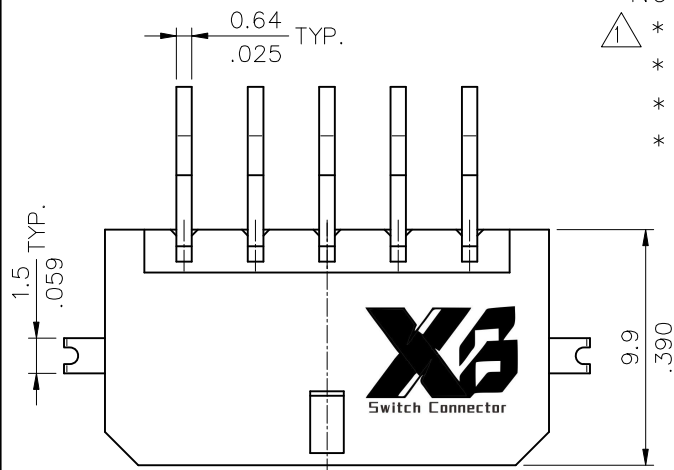
WIDTH : 24 mm Carrier

RoHS Compliant

SYM	NAME	DATE	REVISIONS	APPROVED BY:	DATE	UNIT: mm / inch	TITLE: 3.00mm PITCH RIGHT ANGLE SMT TYPE POWER CONN.	MATERIAL:	FINISH:	DRAWING NO.	PART NO.	SHEET	OF
△7	Eric	3/29-21'	ECRT121017/ECNT121085										
△6	Michelle	11/12-19'	ECRB11905/ECNT119313	DRAWN BY:	Eric	3/29-21'	TOLERANCE UNLESS OTHERWISE SPECIFIED						
△5	Sun	3/03-12'	ECR11051-1/ECN11229	ENGINEER:	Sun	3/31-21'	.X ±	X' ± 1'					
△4	Steven	1/5-11'	ECN11002	CHECKED BY:	Eisley	4/1-21'	.XX ±	.X' ±					
				APPROVED BY:	Eisley	4/1-21'	.XXX ±	.XX' ±					

X3 东莞市溪榜电子有限公司
Switch Connector DONG GUAN XI BANG ELECTRONICS CO., LTD.

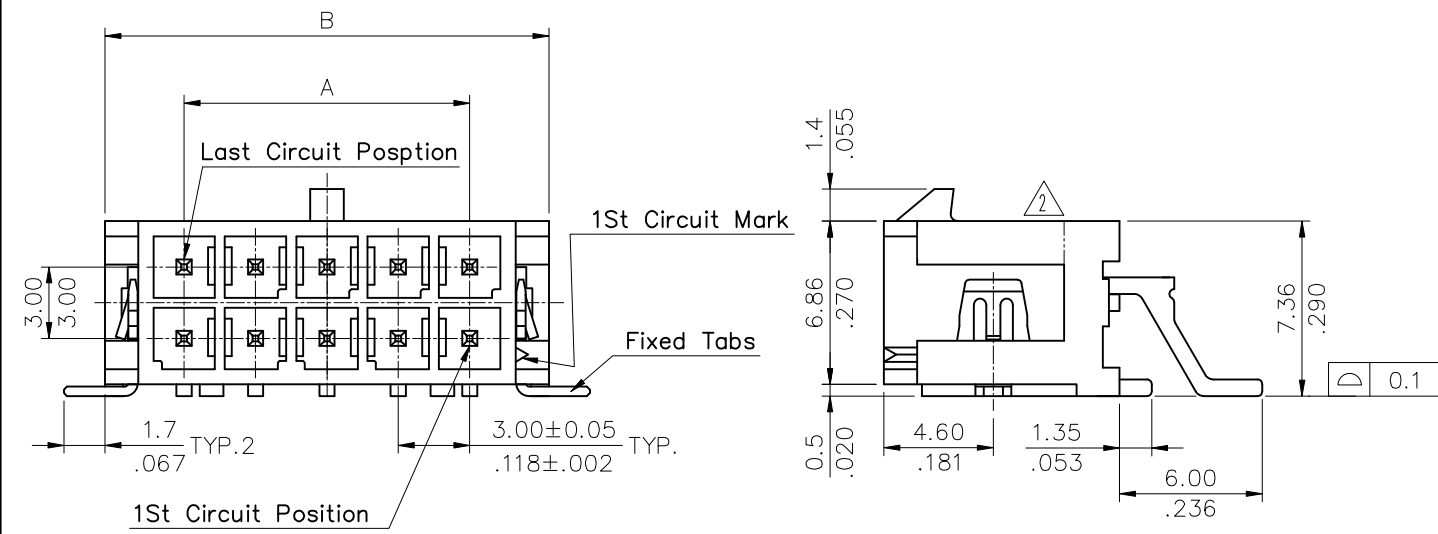
DRAWING NO. CP3508SK PART NO. CP35**P*HST
SCALE SHEET 2 OF 2



- Notes:
- ① * Insulation: High Temperature Plastic, Color Black
 - * Contact: Brass
 - * Fixed Tabs: Brass with Matte Tin Plated
 - * For Lead Free IR Reflow Process

Ordering Code:
CP35 ** P * H S T - NH
 ① ② ③ ④ ⑤ ⑥ ⑦ ⑧

- ① Series No.
- ② No. of Circuits: 02~24
- ③ Contact type: P= Plug
- ④ Contact plated:
 - 1= Matte Tin Plated over Nickel
 - A= Selective Gold Flash Plated on Contact area and Matte Tin Plating on Solderails, 1.27 μm(50 μ") Nickel Underplating over all
 - B= Selective 0.38 μm(15 μ") Gold Plated on Contact area and Matte Tin Plating on Solderails, 1.27 μm(50 μ") Nickel Underplating over all
 - C= Selective 0.76 μm(30 μ") Gold Plated on Contact area and Matte Tin Plating on Solderails, 1.27 μm(50 μ") Nickel Underplating over all
- ⑤ H= Right angle type
- ⑥ Mount type : S= SMT Type
- ⑦ Other options: T= With Fixed Tabs
- ⑧ NH= For Lead Free IR Process and Halogen Free



Halogen-Free

Lead Free Process

RoHS compliant

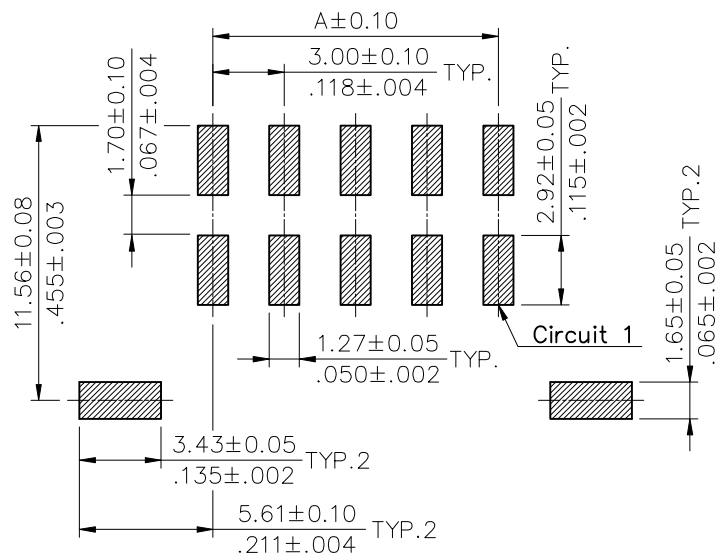
④					DATE	UNIT: mm / inch	TITLE: 3.00mm PITCH RIGHT ANGLE SMT TYPE POWER CONN.
③				DRAWN BY: Eric	3/29-21'	TOLERANCE UNLESS OTHERWISE SPECIFIED	MATERIAL: FINISH:
②	Eric	3/29-21'	ECRT121017/ECNT121085	ENGINEER: Sun	3/31-21'	.X ± 0.30/.012 X' ± 1'	
①	Michelle	11/12-19'	ECRB11905/ECNT119313	CHECKED BY: Eisley	4/1-21'	.XX ± 0.20/.008 .X' ±	
SYM	NAME	DATE	REVISIONS	APPROVED BY: Eisley	4/1-21'	.XXX ± 0.10/.004 .XX' ±	

X3 东莞市溪榜电子有限公司
 DONG GUAN XI BANG ELECTRONICS CO., LTD.

DRAWING NO. **CP35112SC** PART NO. **CP35**P*HST-NH**

SCALE 3 / 1 SHEET 1 OF 3

CIRCUITS	DIM. A	DIM. B
2	—	6.7(.264)
4	3.00(.118)	9.7(.382)
6	6.00(.236)	12.7(.500)
8	9.00(.354)	15.7(.618)
10	12.00(.472)	18.7(.736)
12	15.00(.591)	21.7(.854)
14	18.00(.709)	24.7(.972)
16	21.00(.827)	27.7(1.091)
18	24.00(.945)	30.7(1.209)
20	27.00(1.063)	33.7(1.327)
22	30.00(1.181)	36.7(1.445)
24	33.00(1.299)	39.7(1.563)



Recommended P.C. Board Layout

Halogen-Free

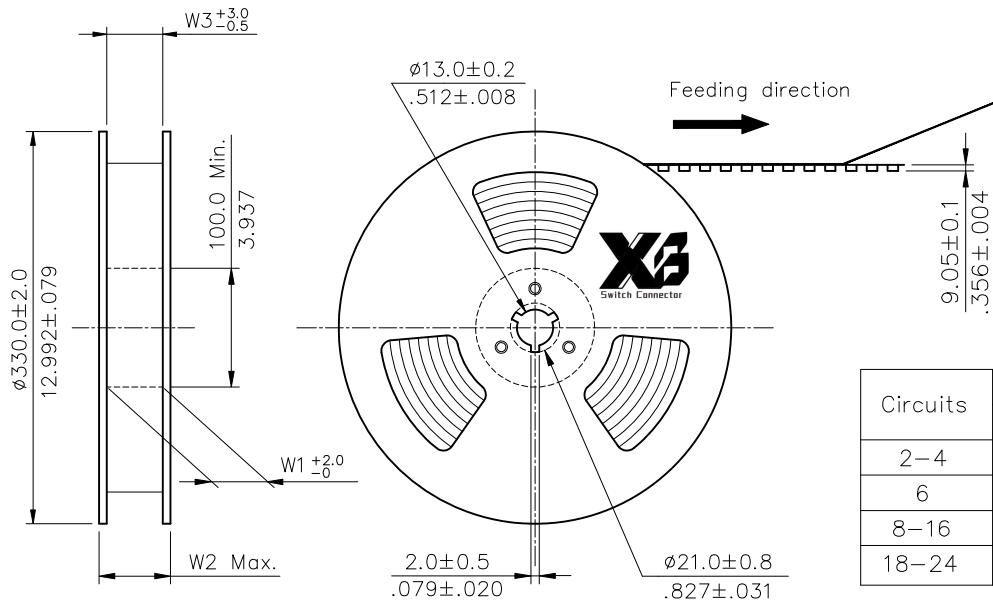
Lead Free Process

RoHS Compliant

SYM	NAME	DATE	REVISIONS	APPROVED BY:	DATE	UNIT: mm / inch	TITLE: 3.0mm PITCH RIGHT ANGLE SMT TYPE POWER CONN.	MATERIAL:	FINISH:	DRAWING NO.	PART NO.	SHEET	OF
4					DATE	UNIT: mm / inch	TITLE: 3.0mm PITCH RIGHT ANGLE SMT TYPE POWER CONN.						
3				DRAWN BY: Eric	3/29-21'	TOLERANCE UNLESS OTHERWISE SPECIFIED							
2	Eric	3/29-21'	ECRT121017/ECNT121085	ENGINEER: Sun	3/31-21'	.X ± 0.30/.012							
1	Michelle	11/12-19'	ECRB11905/ECNT119313	CHECKED BY: Eisley	4/1-21'	.XX ± 0.20/.008							
				APPROVED BY: Eisley	4/1-21'	.XXX ± 0.10/.004							

东莞市溪榜电子有限公司
DONG GUAN XI BANG ELECTRONICS CO., LTD.

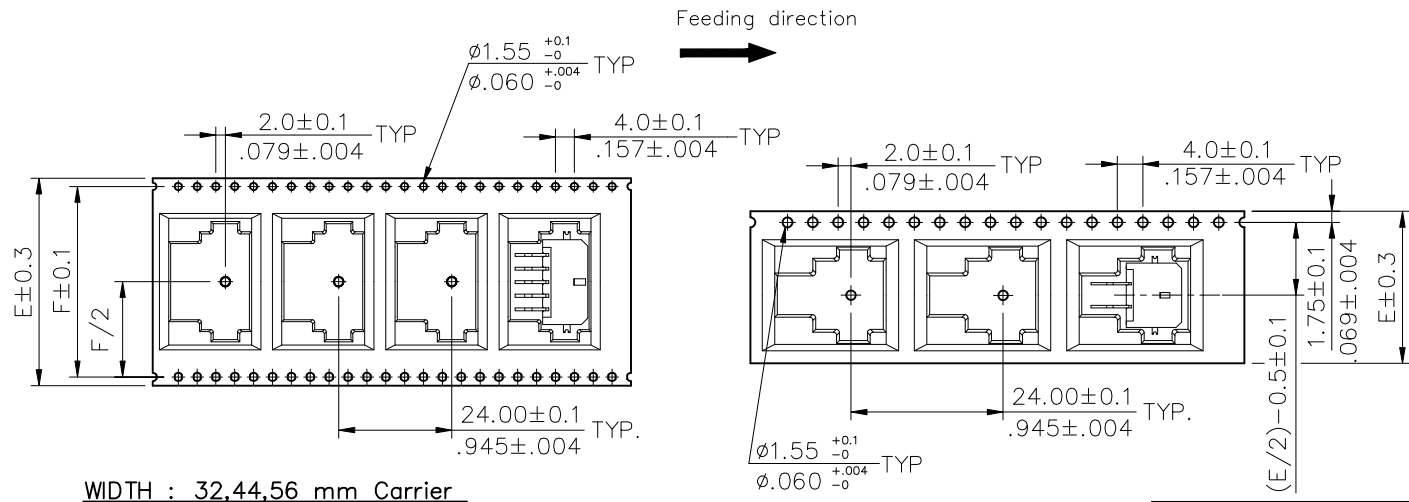
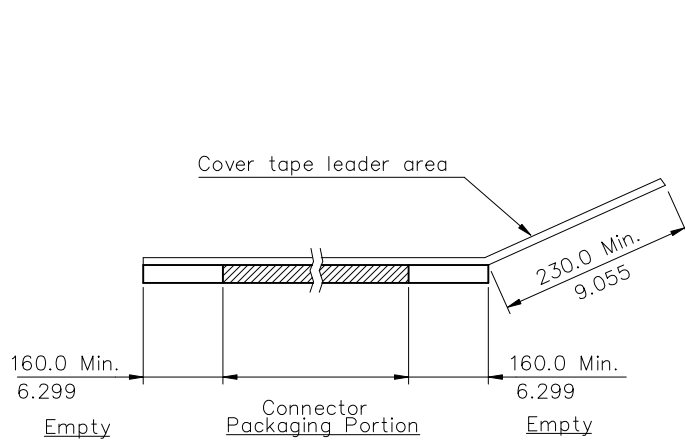
DRAWING NO. **CP35112SC** PART NO. **CP35**P*HST-NH**
SCALE 3 / 1 SHEET 2 OF 3



NOTE :

- * Reel Material : Corrugated Paper
- * Carrier Material : Transparent,Conductive Polystyrene Alloy
- * Cover Tape Material : Polyester
- * Cover Tape Peel Strength : 0.1N – 1.3N
- * Carrier camber is within 1mm in 250mm
- * All dimensions meet EIA-481-B requirements.
- * Quantity : 250 PCS/Reel

Circuits	Dimension					Packing (Reel/Carton)
	E	F	W1	W2	W3	
2-4	24.0(.945)	-	24.5(.965)	30.5(1.200)	24.5(.965)	9
6	32.0(1.260)	28.40(1.118)	32.5(1.280)	38.5(1.516)	32.5(1.280)	7
8-16	44.0(1.732)	40.40(1.596)	44.5(1.752)	50.5(1.988)	44.5(1.752)	5
18-24	56.0(2.205)	52.40(2.063)	56.5(2.224)	62.5(2.461)	56.5(2.224)	4



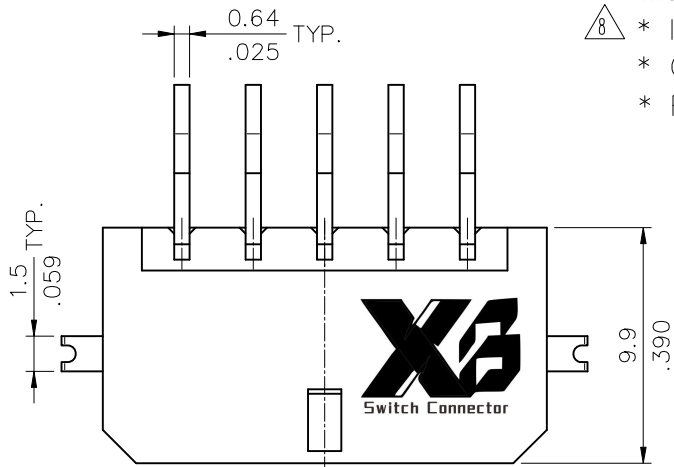
WIDTH : 32,44,56 mm Carrier

WIDTH : 24 mm Carrier

RoHS Compliant

4					DATE	UNIT: mm / inch	TITLE: 3.00mm PITCH RIGHT ANGLE SMT TYPE POWER CONN.
3					DRAWN BY: Eric	3/29-21'	MATERIAL:
2	Eric	3/29-21'	ECRT121017/ECNT121085	ENGINEER: Sun	3/31-21'	.X ± .XX ± .XXX ±	
1	Michelle	11/12-19'	ECRB11905/ECNT119313	CHECKED BY: Eisley	4/1-21'		.X' ± 1' .X' ± .XX' ±
SYM	NAME	DATE	REVISIONS	APPROVED BY: Eisley	4/1-21'		PART NO. CP35**P*HST-NH
							SCALE
							SHEET 3 OF 3

X3 东莞市溪榜电子有限公司
Switch Connector DONG GUAN XI BANG ELECTRONICS CO., LTD.



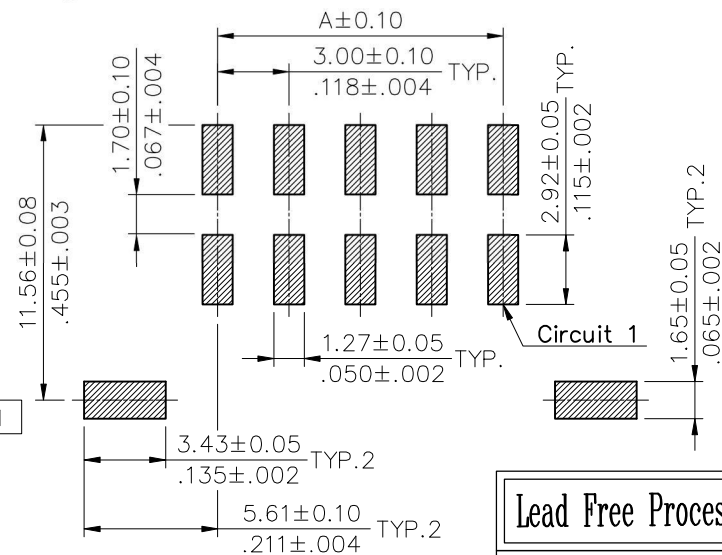
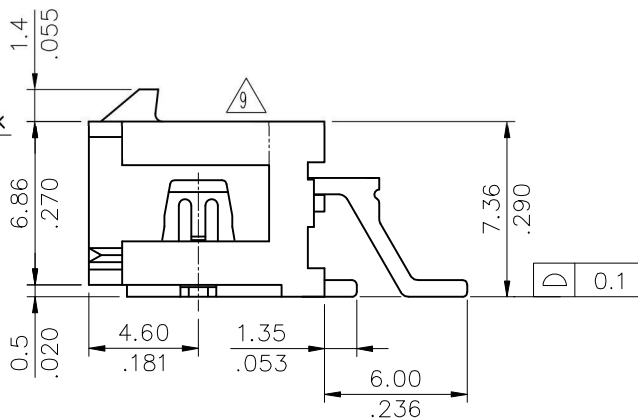
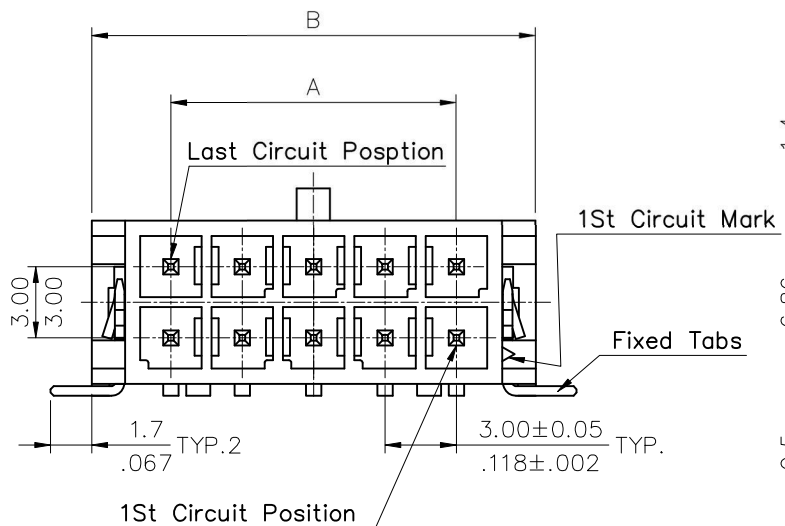
- Material:
- * Insulation: High Temperature Plastic, Color Black
 - * Contact: Brass
 - * Fixed Tabs: Brass with Matte Tin Plated

CIRCUITS	DIM. A	DIM. B
2	—	6.7(.264)
4	3.00(.118)	9.7(.382)
6	6.00(.236)	12.7(.500)
8	9.00(.354)	15.7(.618)
10	12.00(.472)	18.7(.736)
12	15.00(.591)	21.7(.854)
14	18.00(.709)	24.7(.972)
16	21.00(.827)	27.7(1.091)
18	24.00(.945)	30.7(1.209)
20	27.00(1.063)	33.7(1.327)
22	30.00(1.181)	36.7(1.445)
24	33.00(1.299)	39.7(1.563)

Ordering Code:

CP35 ** P * H S T - LF
 ① ② ③ ④ ⑤ ⑥ ⑦ ⑧

- ① Series No.
- ② No. of Circuits: 02~24
- ③ Contact type: P= Plug
- ④ Contact plated:
 - 1= Matte Tin Plated over Nickel
 - A= Selective Gold Flash Plated over 1.27μm(50μ") Nickel
 - B= Selective 0.38μm(15μ") Gold Plated over 1.27μm(50μ") Nickel
 - C= Selective 0.76μm(30μ") Gold Plated over 1.27μm(50μ") Nickel
- ⑤ H= Right angle type
- ⑥ Mount type : S= SMT Type
- ⑦ Other options: T= With Fixed Tabs
- ⑧ LF= For Lead Free IR Process

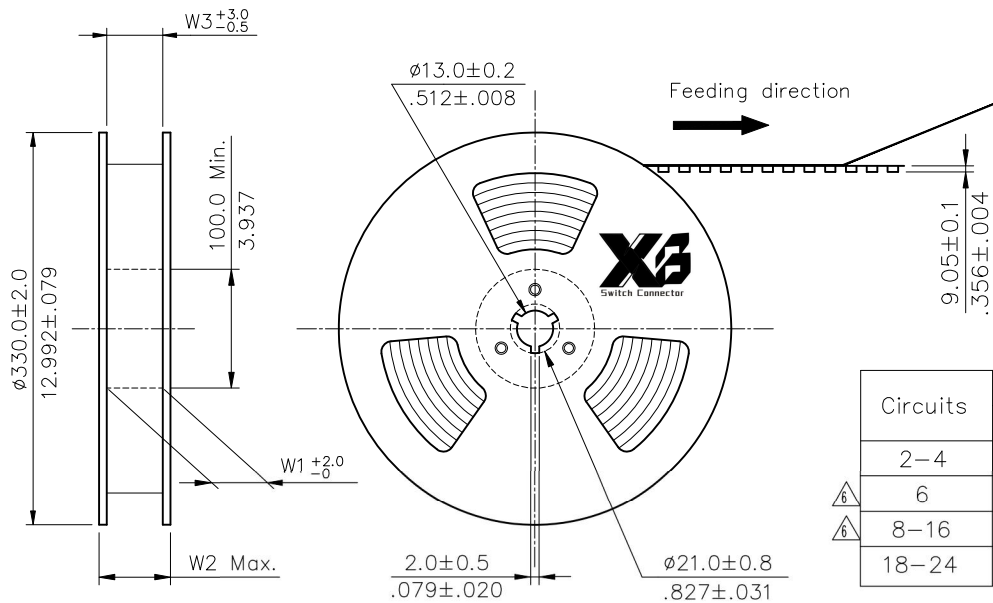


Recommended P.C. Board Layout

Lead Free Process
 RoHS Compliant

SYM	NAME	DATE	REVISIONS	APPROVED BY:	DATE	UNIT: mm / inch	TITLE: 3.00mm PITCH RIGHT ANGLE SMT TYPE POWER CONN.	DRAWING NO. CP3542SJ PART NO. CP35**P*HST-LF		
9	Eric	3/29-21'	ECRT121017/ECNT121085					DONG GUAN XI BANG ELECTRONI CS CO., LTD.		
8	Michelle	11/12-19'	ECRB11905/ECNT119313	DRAWN BY: Eric	3/29-21'	TOLERANCE UNLESS OTHERWISE SPECIFIED		SCALE 3 / 1 SHEET 1 OF 2		
7	Sun	3/03-12'	ECR11051-1/ECN11229	ENGINEER: Sun	3/31-21'	.X ± 0.30/.012 X' ± 1'	MATERIAL:			
6	Steven	1/5-11'	ECN11002	CHECKED BY: Eisley	4/1-21'	.XX ± 0.20/.008 .X' ±	FINISH:			
				APPROVED BY: Eisley	4/1-21'	.XXX ± 0.10/.004 .XX' ±				

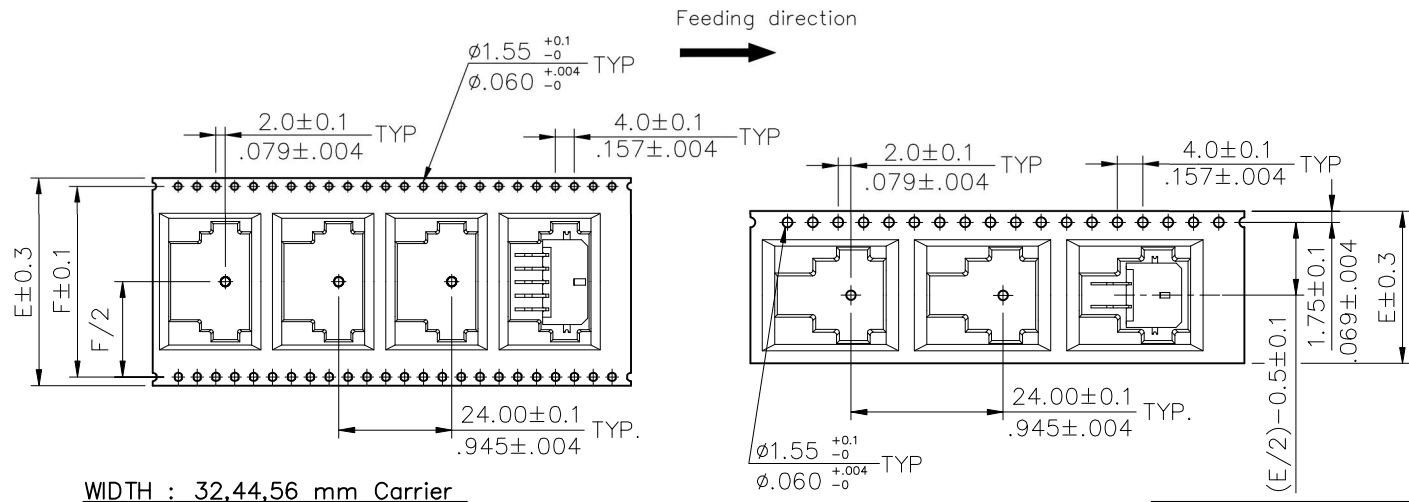
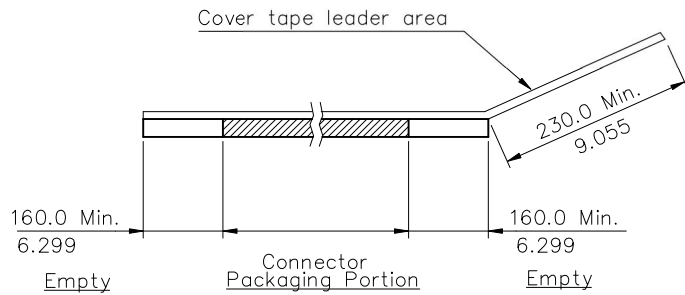
东莞市溪榜电子有限公司
 DONG GUAN XI BANG ELECTRONI CS CO., LTD.



NOTE :

- △ * Reel Material : Corrugated Paper
- △ * Carrier Material : Transparent, Conductive Polystyrene Alloy
- * Cover Tape Material : Polyester
- * Cover Tape Peel Strength : 0.1N – 1.3N
- * Carrier camber is within 1mm in 250mm
- * All dimensions meet EIA-481-B requirements.
- * Quantity : 250 PCS/Reel

Circuits	Dimension					Packing (Reel/Carton)
	E	F	W1	W2	W3	
2-4	24.0(.945)	-	24.5(.965)	30.5(1.200)	24.5(.965)	9
6	32.0(1.260)	28.40(1.118)	32.5(1.280)	38.5(1.516)	32.5(1.280)	7
8-16	44.0(1.732)	40.40(1.596)	44.5(1.752)	50.5(1.988)	44.5(1.752)	5
18-24	56.0(2.205)	52.40(2.063)	56.5(2.224)	62.5(2.461)	56.5(2.224)	4



WIDTH : 32.44,56 mm Carrier

WIDTH : 24 mm Carrier

RoHS Compliant

SYM	NAME	DATE	REVISIONS	APPROVED BY:	DATE	UNIT: mm / inch	TITLE: 3.00mm PITCH RIGHT ANGLE SMT TYPE POWER CONN.	MATERIAL:	FINISH:	DRAWING NO.	PART NO.	SHEET 2 OF 2
9	Eric	3/29-21'	ECRT121017/ECNT121085							CP3542SJ	CP35**P*HST-LF	2 OF 2
8	Michelle	11/12-19'	ECRB11905/ECNT119313	DRAWN BY: Eric	3/29-21'	TOLERANCE UNLESS OTHERWISE SPECIFIED						
7	Sun	3/03-12'	ECR11051-1/ECN11229	ENGINEER: Sun	3/31-21'	.X ±	.X' ± 1'					
6	Steven	1/5-11'	ECN11002	CHECKED BY: Eisley	4/1-21'	.XX ±	.X' ±					
				APPROVED BY: Eisley	4/1-21'	.XXX ±	.XX' ±					

X3 东莞市溪榜电子有限公司
Switch Connector DONG GUAN XI BANG ELECTRONICS CO., LTD.