

Ordering Code:

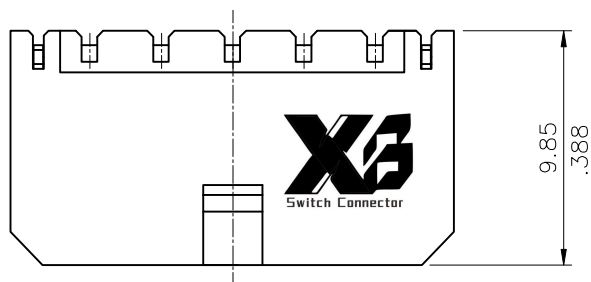
CP35 ^① ** ^② P ^③ * ^④ H ^⑤ 0 ^⑥ C ^⑦ - ^⑧ S ^⑨ -NH

Material:

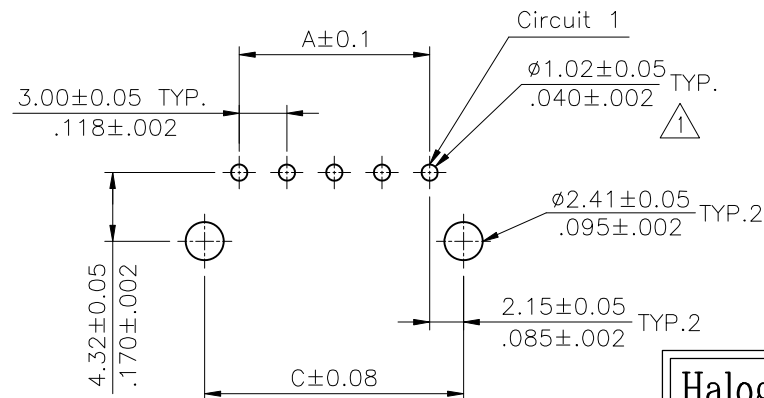
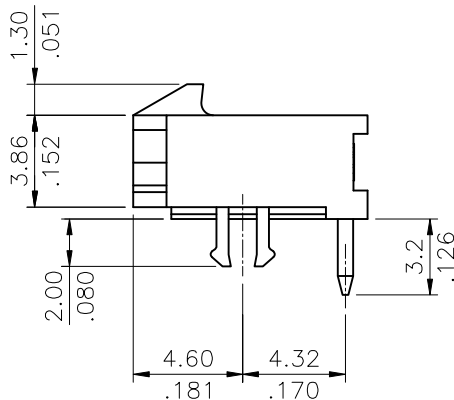
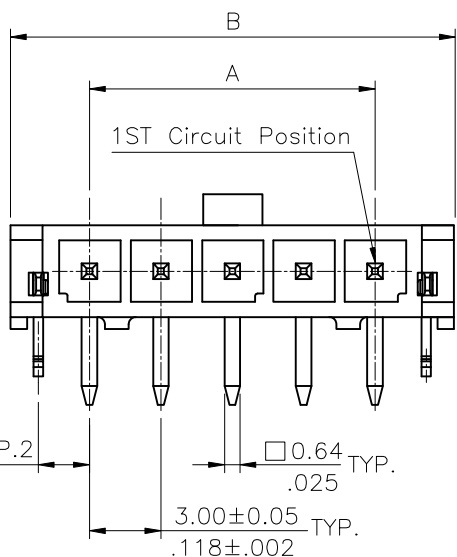
* Insulation: Nylon 10T+35% G.F. 94V-0, Color Black

* Contact: Brass

CIRCUITS	DIM.A	DIM.B	DIM.C
2	3.00(.118)	9.65(.380)	7.32(.288)
3	6.00(.236)	12.65(.498)	10.32(.406)
4	9.00(.354)	15.65(.616)	13.32(.524)
5	12.00(.472)	18.65(.734)	16.32(.643)
6	15.00(.591)	21.65(.852)	19.32(.761)
7	18.00(.709)	24.65(.970)	22.32(.879)
8	21.00(.827)	27.65(1.089)	25.32(.997)
9	24.00(.945)	30.65(1.207)	28.32(1.115)
10	27.00(1.063)	33.65(1.325)	31.32(1.233)
11	30.00(1.181)	36.65(1.443)	34.32(1.351)
12	33.00(1.299)	39.65(1.561)	37.32(1.469)



- ① Series No.
- ② No. of Circuite: 02~12
- ③ Contact type: P= Plug
- ④ Contact plated:
 - 1= Matte Tin over Nickel
 - 2= Gold flash plated over 50μ" Nickel
 - 3= 15μ" Gold plated over 50μ" Nickel
 - 4= 30μ" Gold plated over 50μ" Nickel
- ⑤ H= Right angle
- ⑥ Mount type : 0= Dip Type
- ⑦ Other options:C=With specail metal board lock
- ⑧ S= Single Row Header
- ⑨ NH= Lead Free wave flow process and Halogan Free



Recommended P.C. Board layout

Halogen-Free

Lead Free Process

RoHS Compliant

SYM	NAME	DATE	REVISIONS	APPROVED BY:	DATE	UNIT: mm / inch	TITLE: 3.00mm PITCH RIGHT ANGLE HEADER POWER CONNECTOR	SCALE	SHEET	OF
④					DATE	UNIT: mm / inch	TITLE: 3.00mm PITCH RIGHT ANGLE HEADER POWER CONNECTOR			
③				DRAWN BY: Kenny	8/20-20'	TOLERANCE UNLESS OTHERWISE SPECIFIED				
②				ENGINEER: Sun	8/25-20'	.X ± 0.30/.012 X' ± 1'	MATERIAL:			
①	Kenny	8/20-20'	ECNT120218	CHECKED BY: Eisley	8/25-20'	.XX ± 0.20/.008 X' ±	FINISH:	DRAWING NO. CP35297SB	PART NO. CP35**P*H0C-S-NH	
				APPROVED BY: Eisley	8/25-20'	.XXX ± 0.10/.004 XX' ±		SCALE 3 / 1	SHEET 1 OF 1	

X3 东莞市溪榜电子有限公司
DONG GUAN XI BANG ELECTRONI CS CO., LTD.