

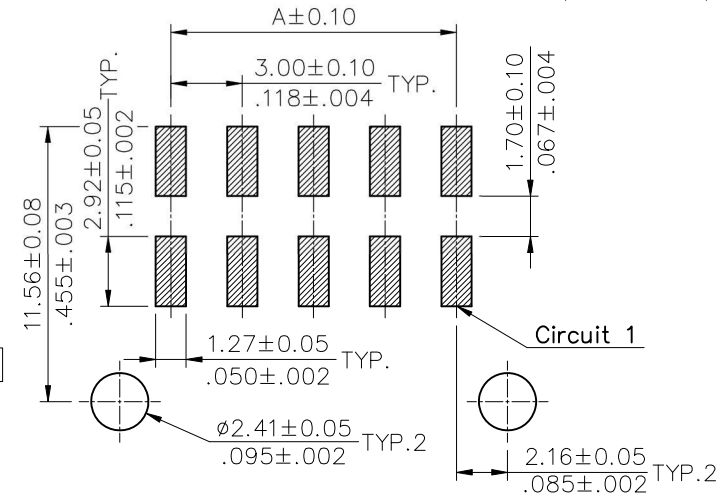
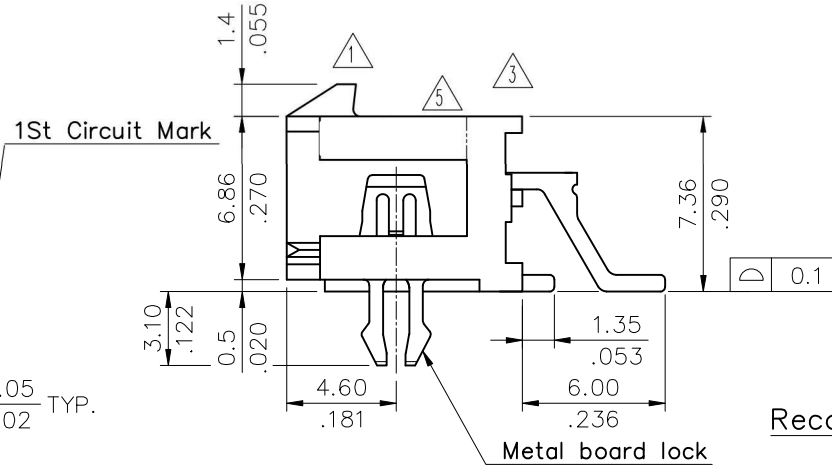
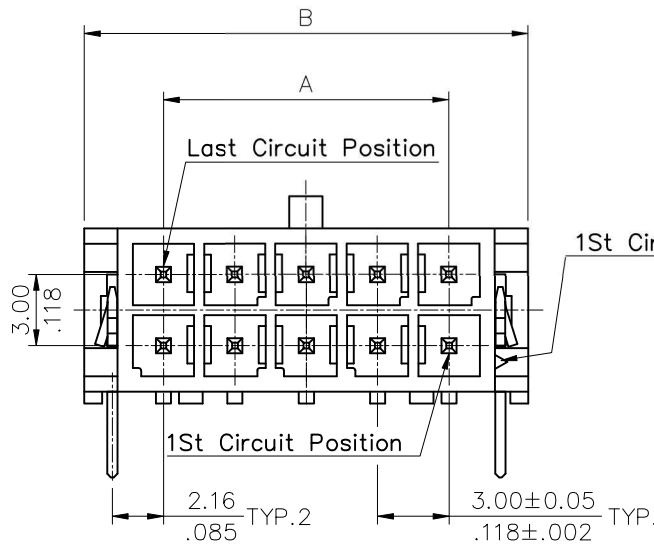
Material:  
 △ \* Insulation: High Temperature Plastic  
           Color Black  
 \* Contact: Brass

Ordering Code:

CP35 \*\* P \* H S 0  
 ① ② ③ ④ ⑤ ⑥ ⑦

CIRCUITS	DIM. A	DIM. B
2	—	6.7(.264)
4	3.00(.118)	9.7(.382)
6	6.00(.236)	12.7(.500)
8	9.00(.354)	15.7(.618)
10	12.00(.472)	18.7(.736)
12	15.00(.591)	21.7(.854)
14	18.00(.709)	24.7(.972)
16	21.00(.827)	27.7(1.091)
18	24.00(.945)	30.7(1.209)
20	27.00(1.063)	33.7(1.327)
22	30.00(1.181)	36.7(1.445)
24	33.00(1.299)	39.7(1.563)

- ① Series No.
- ② No. of Circuits: 02~24
- ③ Contact type: P= Plug
- ④ Contact plated:
  - 1= Tin Plated over Nickel
  - A= Selective Gold Flash Plated over 1.27μm(50μ") Nickel
  - B= Selective 0.38μm(15μ") Gold Plated over 1.27μm(50μ") Nickel
  - C= Selective 0.76μm(30μ") Gold Plated over 1.27μm(50μ") Nickel
- ⑤ H= Right angle type
- ⑥ Mount type : S= SMT Type
- ⑦ Other options: 0= With metal board lock (Standard)

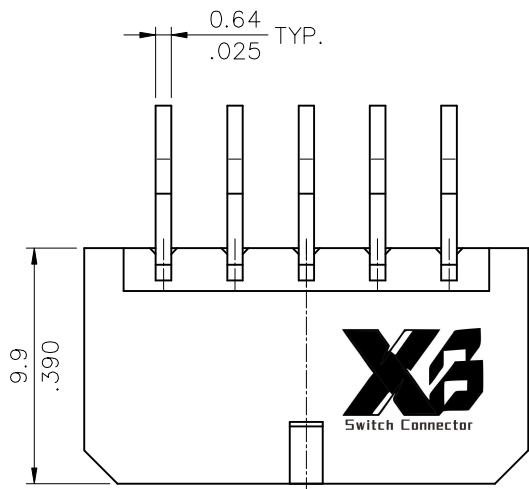


Recommended P.C. Board Layout

RoHS Compliant

SYM	NAME	DATE	REVISIONS	APPROVED BY:	DATE	UNIT: mm / inch	TITLE: 3.00mm PITCH RIGHT ANGLE SMT TYPE POWER CONN.	DRAWING NO. CP3507SJ	PART NO. CP35**P*HS0	SCALE 3 / 1	SHEET 1 OF 1
△5	Eric	3/29-21'	ECRT121017/ECNT121085		DATE	UNIT: mm / inch	TITLE: 3.00mm PITCH RIGHT ANGLE SMT TYPE POWER CONN.				
△4	Michelle	11/12-19'	ECRB11905/ECNT119313	DRAWN BY: Eric	3/29-21'	TOLERANCE UNLESS OTHERWISE SPECIFIED					
△3	Sandy	2/3-12'	ECN12010	ENGINEER: Sun	3/31-21'	.X ± 0.30/.012 X' ± 1'	MATERIAL:				
△2	Sun	12/12-05'	ECN05428	CHECKED BY: Eisley	4/1-21'	.XX ± 0.20/.008 .X' ±	FINISH:				
				APPROVED BY: Eisley	4/1-21'	.XXX ± 0.10/.004 .XX' ±					

**XB** 东莞市溪榜电子有限公司  
 Switch Connector DONG GUAN XI BANG ELECTRONI CS CO., LTD.

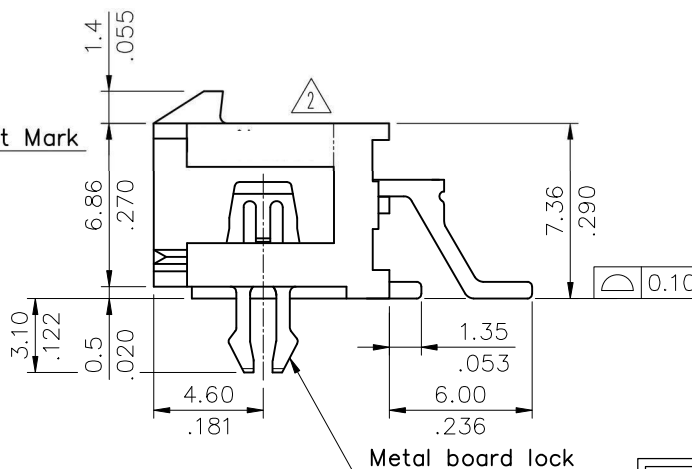
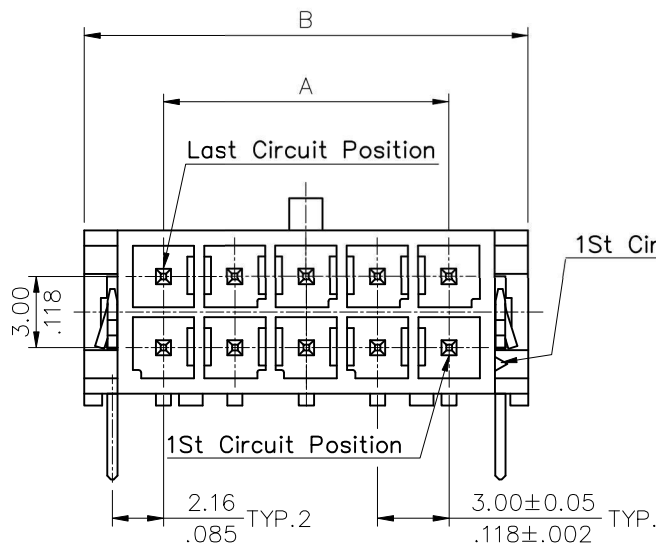


Material:

△ \* Insulation: High Temperature Plastic  
Color Black

\* Contact: Brass

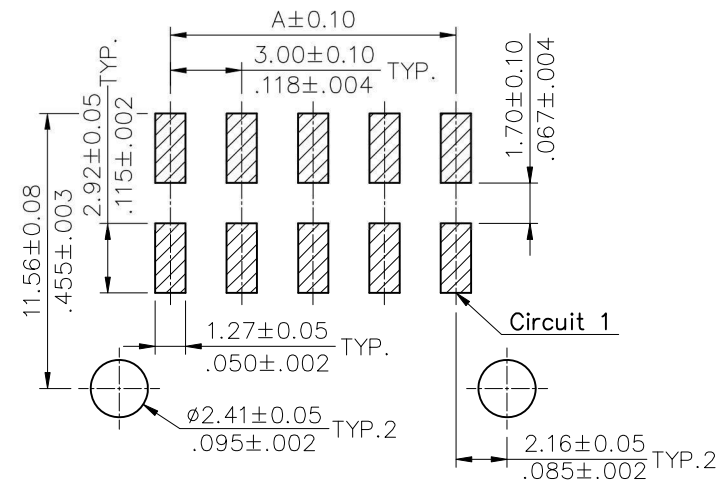
CIRCUITS	DIM. A	DIM. B
2	—	6.7(.264)
4	3.00(.118)	9.7(.382)
6	6.00(.236)	12.7(.500)
8	9.00(.354)	15.7(.618)
10	12.00(.472)	18.7(.736)
12	15.00(.591)	21.7(.854)
14	18.00(.709)	24.7(.972)
16	21.00(.827)	27.7(1.091)
18	24.00(.945)	30.7(1.209)
20	27.00(1.063)	33.7(1.327)
22	30.00(1.181)	36.7(1.445)
24	33.00(1.299)	39.7(1.563)



Ordering Code:

CP35 \*\* P \* H S 0 -NH  
① ② ③ ④ ⑤ ⑥ ⑦ ⑧

- ① Series No.
- ② No. of Circuits: 02~24
- ③ Contact type: P= Plug
- ④ Contact plated:
  - 1= Matte Tin Plated over Nickel
  - A= Selective Gold Flash Plated over 1.27 μm(50 μ") Nickel
  - B= Selective 0.38 μm(15 μ") Gold Plated over 1.27 μm(50 μ") Nickel
  - C= Selective 0.76 μm(30 μ") Gold Plated over 1.27 μm(50 μ") Nickel
- ⑤ H= Right angle type
- ⑥ Mount type : S= SMT Type
- ⑦ Other options: 0= With metal board lock (Standard)
- ⑧ -NH= For Lead Free IR Reflow Processes and Halogen-Free



Recommended P.C. Board Layout

Halogen-Free

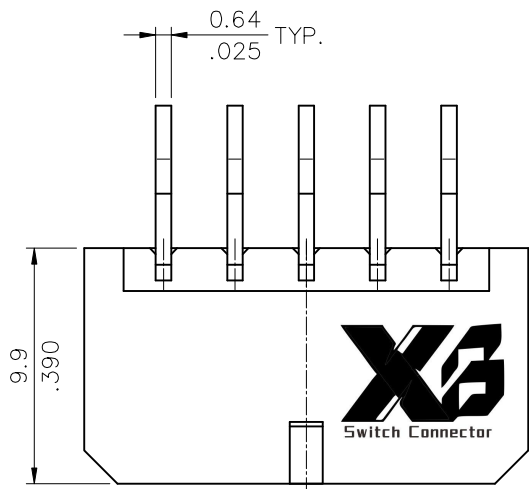
Lead Free Process

RoHS compliant

SYM	NAME	DATE	REVISIONS	APPROVED BY:	DATE	UNIT: mm / inch
△4						TITLE: 3.00mm PITCH RIGHT ANGLE SMT TYPE POWER CONN.
△3				DRAWN BY: Eric	3/31-21'	TOLERANCE UNLESS OTHERWISE SPECIFIED
△2	Eric	3/29-21'	ECRT121017/ECNT121085	ENGINEER: Sun	3/31-21'	.X ± 0.30/.012 X' ± 1'
△1	Michelle	11/18-19'	ECNT119313	CHECKED BY: Eisley	4/1-21'	.XX ± 0.20/.008 .X' ±
				APPROVED BY: Eisley	4/1-21'	.XXX ± 0.10/.004 .XX' ±

TITLE: 3.00mm PITCH RIGHT ANGLE SMT TYPE POWER CONN.
MATERIAL:
FINISH:

东莞市溪榜电子有限公司 DONG GUAN XI BANG ELECTRONI CS CO., LTD.			
DRAWING NO.	CP35170SC	PART NO.	CP35**P*HS0-NH
SCALE	3 / 1	SHEET	1 OF 1



Material:

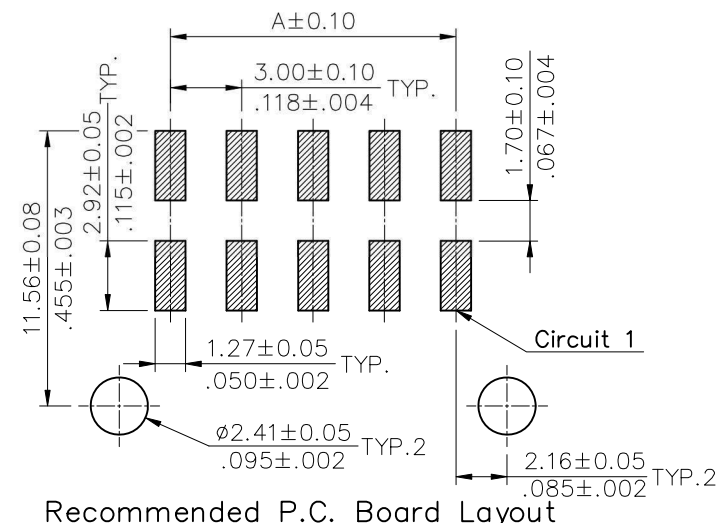
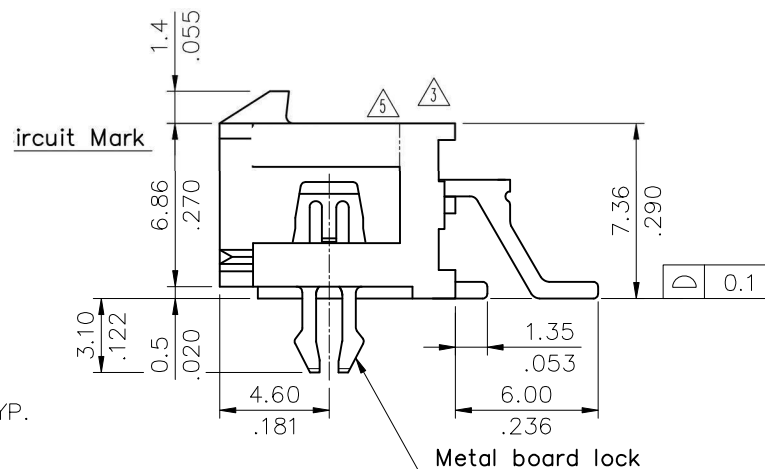
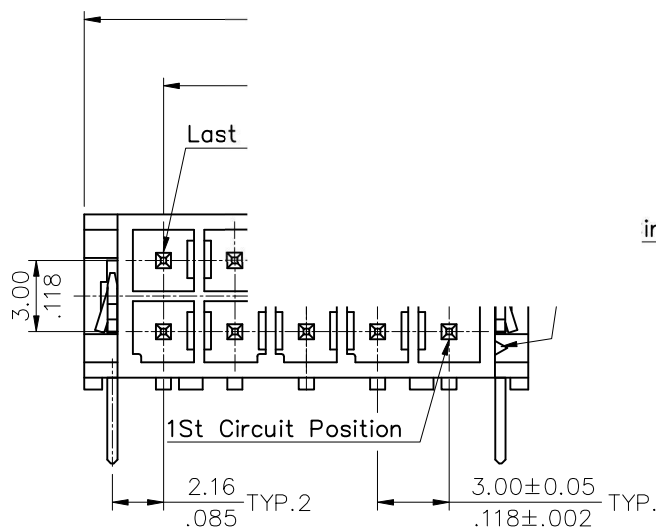
- ④ \* Insulation: High Temperature Plastic  
Color Black
- \* Contact: Brass

CIRCUITS	DIM. A	DIM. B
2	—	6.7(.264)
4	3.00(.118)	9.7(.382)
6	6.00(.236)	12.7(.500)
8	9.00(.354)	15.7(.618)
10	12.00(.472)	18.7(.736)
12	15.00(.591)	21.7(.854)
14	18.00(.709)	24.7(.972)
16	21.00(.827)	27.7(1.091)
18	24.00(.945)	30.7(1.209)
20	27.00(1.063)	33.7(1.327)
22	30.00(1.181)	36.7(1.445)
24	33.00(1.299)	39.7(1.563)

Ordering Code:

CP35 \*\* P \* H S 0 -LF  
① ② ③ ④ ⑤ ⑥ ⑦ ⑧

- ① Series No.
- ② No. of Circuits: 02~24
- ③ Contact type: P= Plug
- ④ Contact plated:  
1= Matte Tin Plated over Nickel  
A= Selective Gold Flash Plated over 1.27 μm(50 μ") Nickel  
B= Selective 0.38 μm(15 μ") Gold Plated over 1.27 μm(50 μ") Nickel
- ⑤ H= Right angle type
- ⑥ Mount type : S= SMT Type
- ⑦ Other options: 0= With metal board lock (Standard)
- ⑧ LF= For Lead Free IR Process



Lead Free Process

RoHS Compliant

SYM	NAME	DATE	REVISIONS	APPROVED BY:	DATE	UNIT: mm / inch	TITLE: 3.00mm PITCH RIGHT ANGLE SMT TYPE POWER CONN.
⑤	Eric	3/29-21'	ECRT121017/ECNT121085				
④	Michelle	11/12-19'	ECRB11905/ECNT119313	DRAWN BY: Eric	3/29-21'	TOLERANCE UNLESS OTHERWISE SPECIFIED	
③	Sandy	2/3-12'	ECN12010	ENGINEER: Sun	3/31-21'	.X ± 0.30/.012 X' ± 1'	MATERIAL:
②	Karen	4/16-10'	ECN10121	CHECKED BY: Eisley	4/1-21'	.XX ± 0.20/.008 .X' ±	FINISH:
				APPROVED BY: Eisley	4/1-21'	.XXX ± 0.10/.004 .XX' ±	

**XB** 东莞市溪榜电子有限公司  
Switch Connector DONG GUAN XI BANG ELECTRONICS CO., LTD.

DRAWING NO.	CP3552SF	PART NO.	CP35**P*HS0-LF
SCALE	3 / 1	SHEET	1 OF 1