

Material :


- * Base:
High Temperature Plastic UL 94V-0
Color White
- * Contact :
Phosphor Bronze, With Tin plated
- * Tab :
Brass, With Tin plated

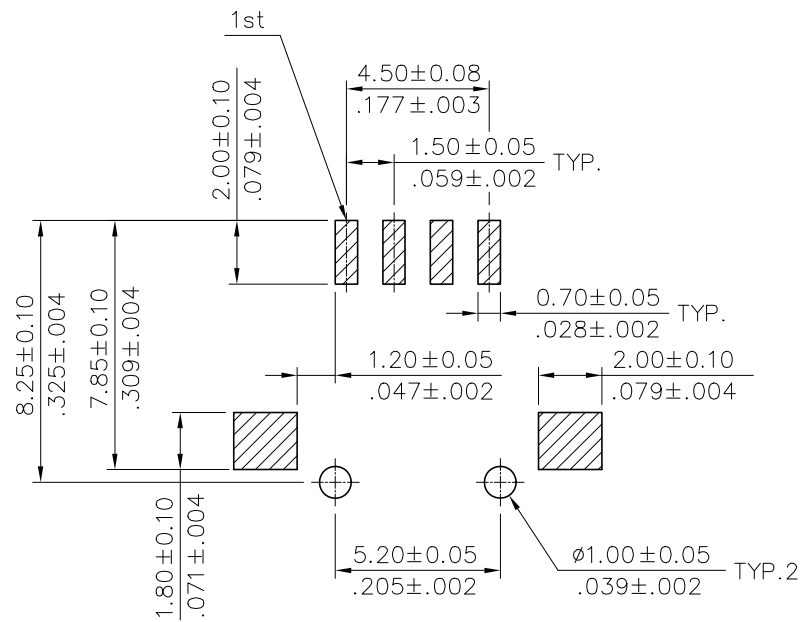
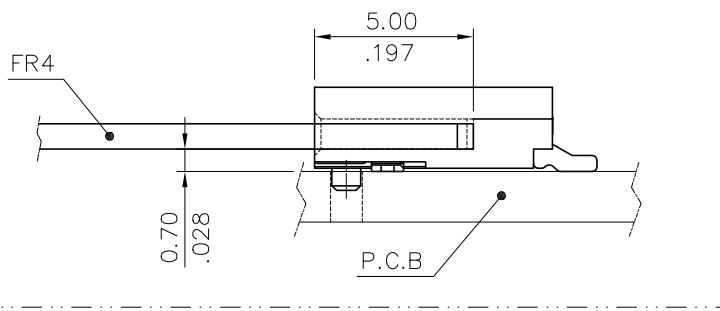
Ordering Code:

CP14 04 M 1 H R B -NH
① ② ③ ④ ⑤ ⑥ ⑦ ⑧

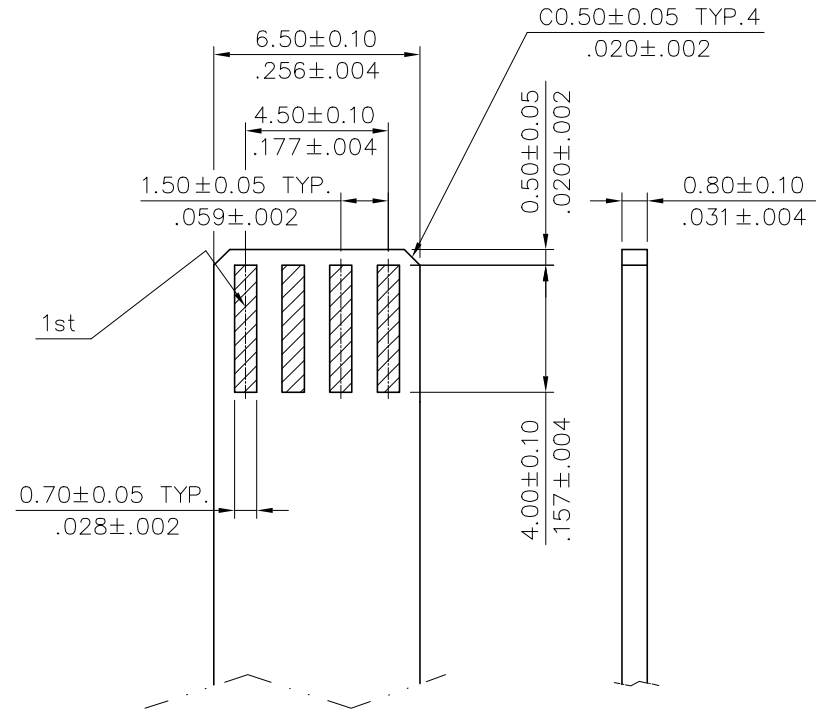
- ① Series No.
- ② No. of Circuits: 04 Pin
- ③ M= SMT Type
- ④ Plating: 1= $3.05\mu\text{m}(120\mu'')$ ~ $4.88\mu\text{m}(192\mu'')$
Matte Tin over $1.27\mu\text{m}(50\mu'')$ Nickel
- ⑤ Type: H= Side Entry
- ⑥ Packing Options: R= Tape & Reel packing
- ⑦ Option: B= Upside Contact
- ⑧ Other option:
-NH= For Lead Free IR Processes
and Halogen-Free

Halogen-Free Lead Free Process RoHS Compliant

④					DATE	UNIT: mm / inch	TITLE: For CP14 series Upside connector	 东莞市溪榜电子有限公司 DONG GUAN XI BANG ELECTRONI CS CO., LTD.
③				DRAWN BY: Enya	8/30-12'	TOLERANCE UNLESS OTHERWISE SPECIFIED	MATERIAL:	
②	Enya	8/30-12'	ECR12043-2/ECN12209-0	ENGINEER: Eisley	9/03-12'	.X ± 0.30/.012 X' ± r'	FINISH:	DRAWING NO. CP1403SB PART NO. CP1404M1HRB-NH
①	Clark	04/30-12	ECN12065-0	CHECKED BY: Eisley	9/03-12'	.XX ± 0.20/.008 .X' ±	SCALE 4 / 1	SHEET 1 OF 3
SYM	NAME	DATE	REVISIONS	APPROVED BY: David	9/03-12'	.XXX ± 0.10/.004 .XX' ±		



Recommended P.C.B. Layout



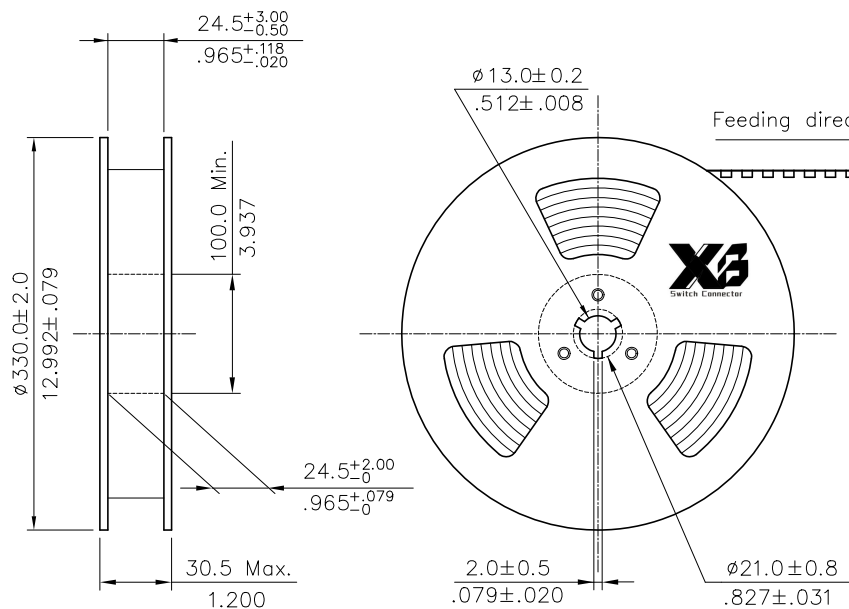
Recommended FR4 Layout

Halogen-Free

Lead Free Process

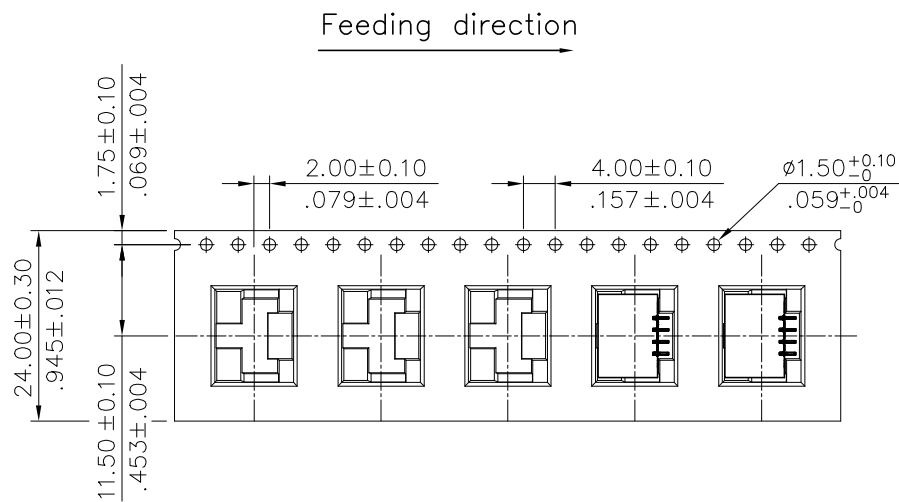
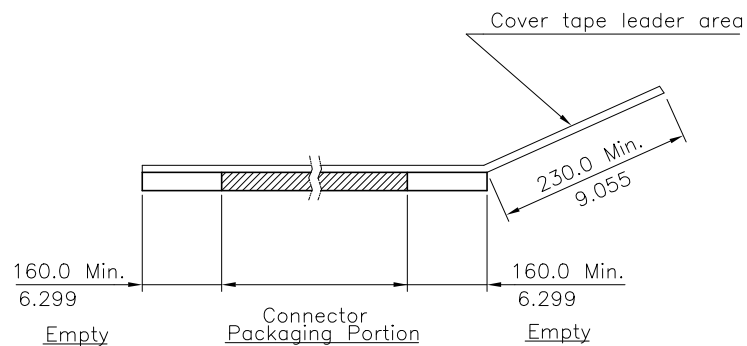
RoHS Compliant

4					DATE	UNIT: mm / inch	TITLE: For CP14 series Upside connector	东莞市溪榜电子有限公司 DONG GUAN XI BANG ELECTRONI CS CO., LTD.
3			DRAWN BY: Enya	8/30-12'	TOLERANCE UNLESS OTHERWISE SPECIFIED	MATERIAL:	DRAWING NO. CP1403SB	
2	Enya	8/30-12'	ECR12043-2/ECN12209-0	ENGINEER: Eisley	9/03-12'	.X ± 0.30/.012 X' ± r'	PART NO. CP1404M1HRB-NH	
1	Clark	04/30-12'	ECN12065-0	CHECKED BY: Eisley	9/03-12'	.XX ± 0.20/.008 X' ±	SCALE 4 / 1	
SYM	NAME	DATE	REVISIONS	APPROVED BY: David	9/03-12'	.XXX ± 0.10/.004 XX' ±	SHEET 2 OF 3	




NOTE :

- * Reel Material : Corrugated Paper
- * Carrier Material : Black, Polystyrene alloy
- * Cover Tape Material : Polyester
- * Cover Tape Peel Strength : 0.1N – 1.3N
- * Carrier camber is within 1mm in 100mm
- * All dimensions meet EIA-481-2 & EIA-481-3 requirements.
- * Quantity : 1000 PCS/Reel
- * Packing : 9 Reel/Cartron



WIDTH : 24 mm Carrier

RoHS Compliant

4					DATE	UNIT: mm / inch	TITLE: For CP14 series Upside connector	 东莞市溪榜电子有限公司 DONG GUAN XI BANG ELECTRONI CS CO., LTD.
3				DRAWN BY: Enya	8/30-12'	TOLERANCE UNLESS OTHERWISE SPECIFIED	MATERIAL:	
2	Enya	8/30-12'	ECR12043-2/ECN12209-0	ENGINEER: Easley	9/03-12'	.X ±	.X' ± 1'	DRAWING NO. CP1403SB
1	Clark	04/30-12'	ECN12065-0	CHECKED BY: Easley	9/03-12'	.XX ±	.X' ±	PART NO. CP1404M1HRB-NH
SYM	NAME	DATE	REVISIONS	APPROVED BY: David	9/03-12'	.XXX ±	.XX' ±	SCALE
								SHEET 3 OF 3