

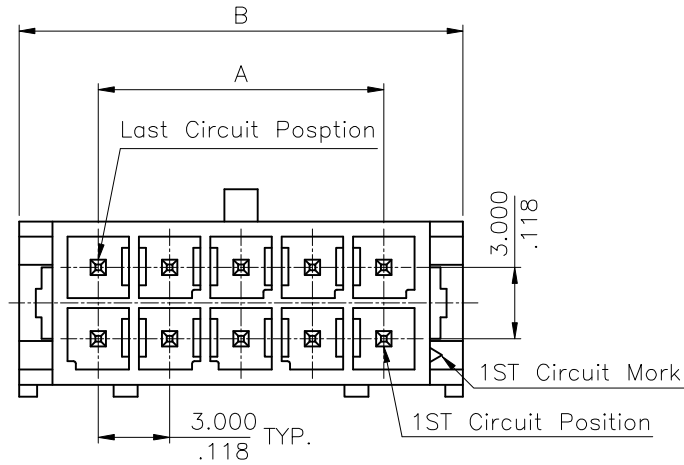
Material:

- ④ * Insulation: High Temperature Plastic, Color Black
- * Contact: Brass

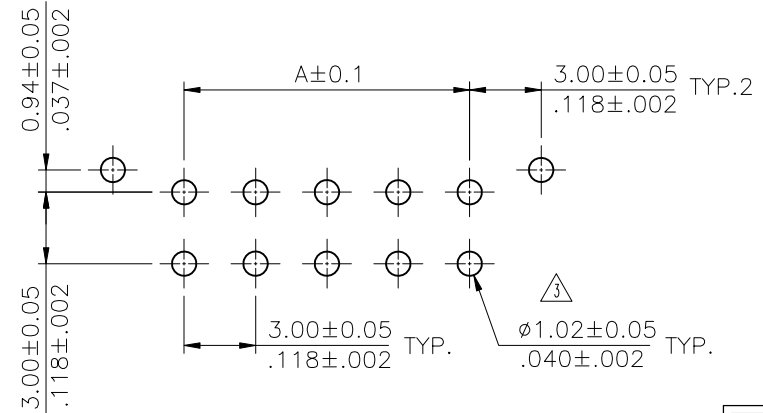
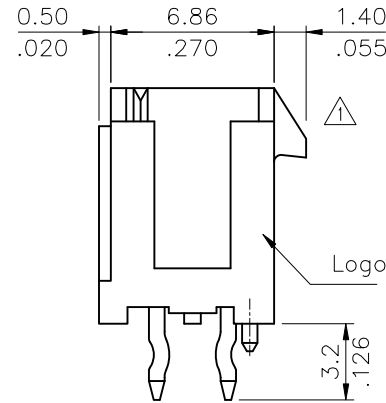
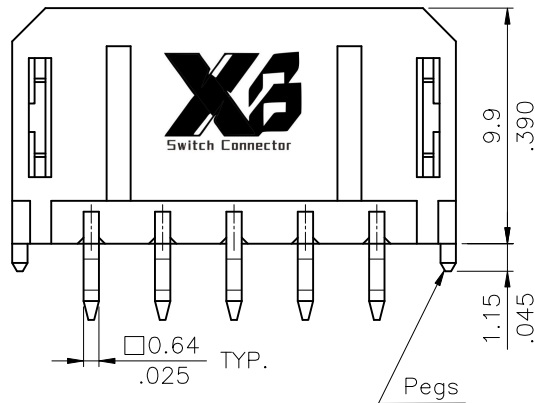
Ordering Code:

CP35 ** P * V 0 0
 ① ② ③ ④ ⑤ ⑥ ⑦

- ① Series No.
- ② No. of Circuite: 02~24
- ③ Conctact type: P = Plug
- ④ Contact plated:
 - 1= Tin over Nickel
 - 2= Gold flash plated over 50μ" Nickel
 - 3= 15μ" Gold plated over 50μ" Nickel
 - 4= 30μ" Gold plated over 50μ" Nickel
- ⑤ V= Straight
- ⑥ Mount type : 0= Dip Type
- ⑦ Other options: 0= With pegs(Standard)




Circuits	Dimension	
	A	B
2	—	6.7(.264)
4	3.00(.118)	9.7(.382)
6	6.00(.236)	12.7(.500)
8	9.00(.354)	15.7(.618)
10	12.00(.472)	18.7(.657)
12	15.00(.591)	21.7(.854)
14	18.00(.709)	24.7(.972)
16	21.00(.827)	27.7(1.091)
18	24.00(.945)	30.7(1.209)
20	27.00(1.063)	33.7(1.327)
22	30.00(1.181)	36.7(1.445)
24	33.00(1.299)	39.7(1.563)



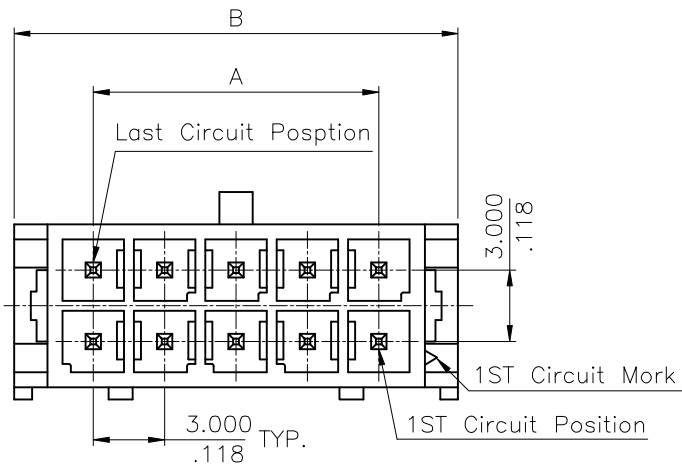
Recommended P.C. Board layout

RoHS Compliant

SYM	NAME	DATE	REVISIONS	APPROVED BY:	DATE	UNIT: mm / inch	TITLE: 3.00mm PITCH STRAIGHT HEADER POWER CONNECTOR	 东莞市溪榜电子有限公司 DONG GUAN XI BANG ELECTRONI CS CO., LTD.
④	Michelle	11/12-19	ECRB11905/ECNT119313					
③	Sandy	10/21-10	ECN10352	DRAWN BY: Michelle	11/19-19'	TOLERANCE UNLESS OTHERWISE SPECIFIED		
②	Sun	12/12-05	ECN05428	ENGINEER: Sun	11/19-19'	.X ± 0.30/012 .X' ± 1'	MATERIAL:	
①	Casey	08/12-05	ECR05064/ECN05274	CHECKED BY: Eisley	12/13-19'	.XX ± 0.20/008 .X' ±	FINISH:	
				APPROVED BY: Eisley	12/13-19'	.XXX ± 0.10/004 .XX' ±		
DRAWING NO.	CP3505SG	PART NO.	CP35**P*V00	SCALE	3 / 1	SHEET	1 OF 1	

Material:

- △ ③ * Insulation: High Temperature Plastic, Color Black
- * Contact: Brass

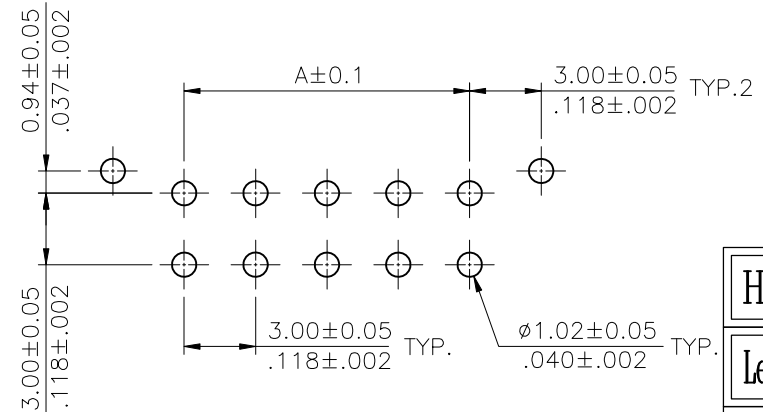
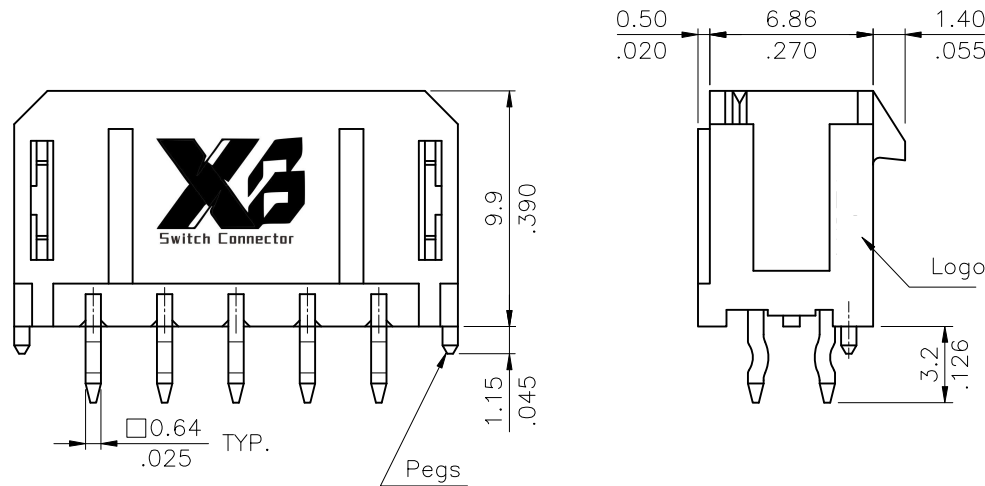


Circuits	Dimension	
	A	B
2	—	6.7(.264)
4	3.00(.118)	9.7(.382)
6	6.00(.236)	12.7(.500)
8	9.00(.354)	15.7(.618)
10	12.00(.472)	18.7(.657)
12	15.00(.591)	21.7(.854)
14	18.00(.709)	24.7(.972)
16	21.00(.827)	27.7(1.091)
18	24.00(.945)	30.7(1.209)
20	27.00(1.063)	33.7(1.327)
22	30.00(1.181)	36.7(1.445)
24	33.00(1.299)	39.7(1.563)

Ordering Code:

CP35 ** P * V 0 0 -NH
 ① ② ③ ④ ⑤ ⑥ ⑦ ⑧

- ① Series No.
- ② No. of Circuits: 02~24
- ③ Contact type: P= Plug
- △ ④ Contact plated:
 - 1= Matte Tin plated over Nickel
 - 2= Gold flash plated over 50μ" Nickel
- ⑤ V= Straight
- ⑥ Mount type : 0= Dip Type
- ⑦ Other options: 0= With pegs(Standard)
- ⑧ -NH= For Lead Free IR Processes and Halogen-Free



Recommended P.C. Board layout

Halogen-Free

Lead Free Process

RoHS Compliant

④					DATE	UNIT: mm / inch	TITLE: 3.00mm PITCH STRAIGHT HEADER POWER CONNECTOR	
③	Michelle	11/20-19'	ECRB11905/ECNT119313	DRAWN BY:	Michelle	11/19-19'	MATERIAL: FINISH:	
②	Sun	1/28-19'	ECNT119031	ENGINEER:	Sun	11/19-19'		
①	Sun	8/14-14'	ECRT114036/ECNT114170	CHECKED BY:	Eisley	12/13-19'		
SYM	NAME	DATE	REVISIONS	APPROVED BY:	Eisley	12/13-19'		
						TOLERANCE UNLESS OTHERWISE SPECIFIED	DRAWING NO. CP3528AD PART NO. CP35**P*V00-NH	
						.X ± 0.30/.012 X' ± 1'		SCALE 3 / 1
						.XX ± 0.20/.008 .X' ±		SHEET 1 OF 1
						.XXX ± 0.10/.004 .XX' ±		

XB 东莞市溪榜电子有限公司
 SWITCH CONNECTOR DONG GUAN XI BANG ELECTRONICS CO., LTD.

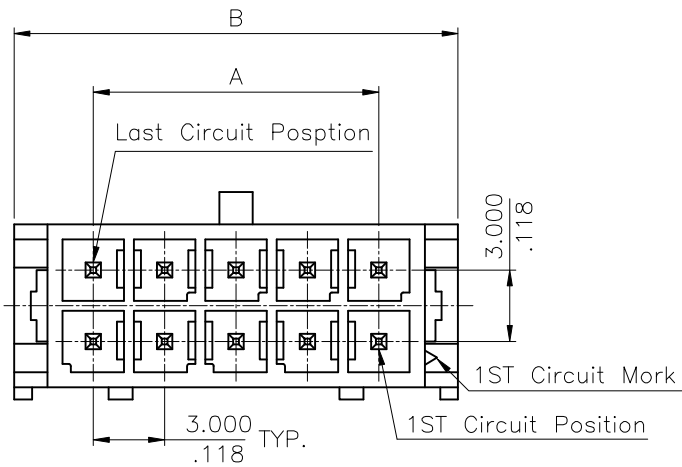
Material:

- * Insulation: High Temperature Plastic, Color Black
- * Contact: Brass

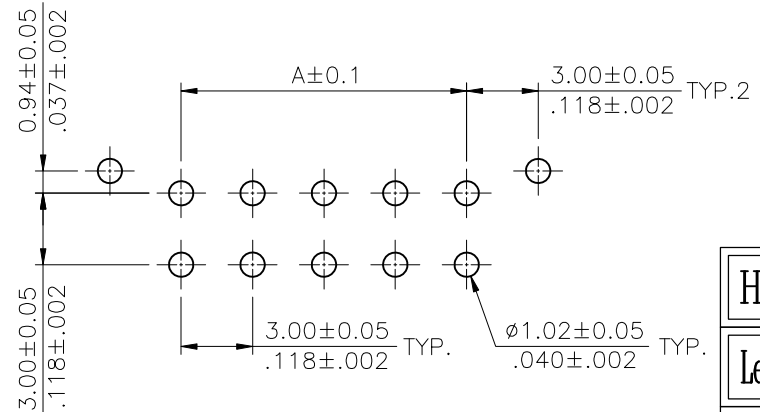
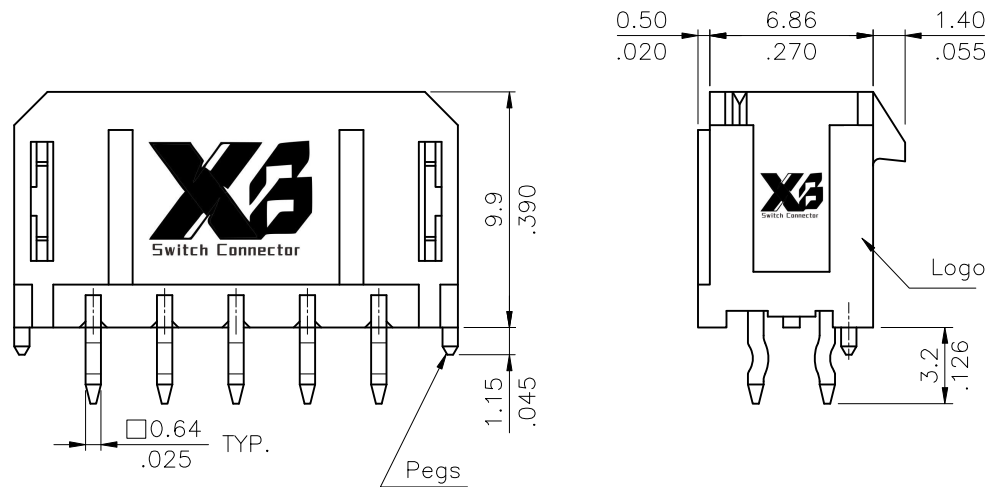
Ordering Code:

CP35 ** P B V 0 0 -NH
 ① ② ③ ④ ⑤ ⑥ ⑦ ⑧

- ① Series No.
- ② No. of Circuite: 02~24
- ③ Contact type: P= Plug
- ④ Contact plated:
 B= Selective 0.38μm(15μ") Gold Plated over 1.27μm(50μ") Nickel
 C= Selective 0.76μm(30μ") Gold Plated over 1.27μm(50μ") Nickel
- ⑤ V= Straight
- ⑥ Mount type : 0= Dip Type
- ⑦ Other options: 0= With pegs(Standard)
- ⑧ -NH= For Lead Free Wave Flow Processes and Halogen-Free



Circuits	Dimension	
	A	B
2	—	6.7(.264)
4	3.00(.118)	9.7(.382)
6	6.00(.236)	12.7(.500)
8	9.00(.354)	15.7(.618)
10	12.00(.472)	18.7(.657)
12	15.00(.591)	21.7(.854)
14	18.00(.709)	24.7(.972)
16	21.00(.827)	27.7(1.091)
18	24.00(.945)	30.7(1.209)
20	27.00(1.063)	33.7(1.327)
22	30.00(1.181)	36.7(1.445)
24	33.00(1.299)	39.7(1.563)




Recommended P.C. Board layout

Halogen-Free

Lead Free Process

RoHS Compliant

SYM	NAME	DATE	REVISIONS	APPROVED BY:	DATE	UNIT: mm / inch	TITLE: 3.00mm PITCH STRAIGHT HEADER POWER CONNECTOR	 东莞市溪榜电子有限公司 DONG GUAN XI BANG ELECTRONICS CO., LTD.
4					DATE	UNIT: mm / inch	TITLE: 3.00mm PITCH STRAIGHT HEADER POWER CONNECTOR	
3				DRAWN BY: Sun	5/29-20'	TOLERANCE UNLESS OTHERWISE SPECIFIED	MATERIAL:	SCALE 3 / 1 SHEET 1 OF 1
2				ENGINEER: Sun	5/29-20'	.X ± 0.30/.012 .X' ± 1'	FINISH:	
1				CHECKED BY: Eisley	6/05-20'	.XX ± 0.20/.008 .X' ±		
				APPROVED BY: Eisley	6/05-20'	.XXX ± 0.10/.004 .XX' ±		

Material:

△* Insulation: High Temperature Plastic
Color Black

* Contact: Brass

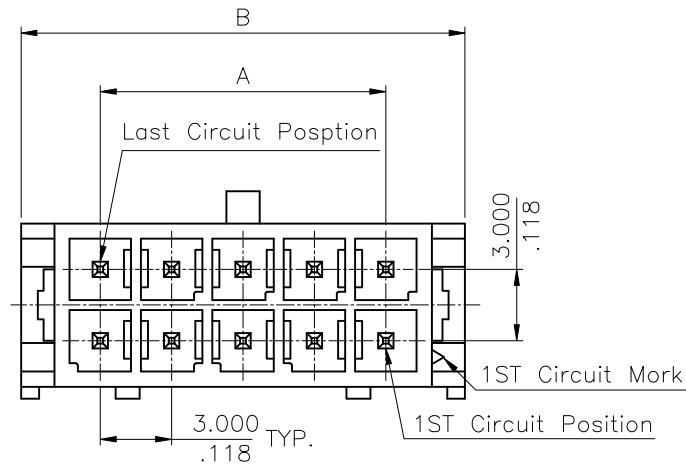
Ordering Code:

CP35 ** P 1 V 0 0 -LF
① ② ③ ④ ⑤ ⑥ ⑦ ⑧

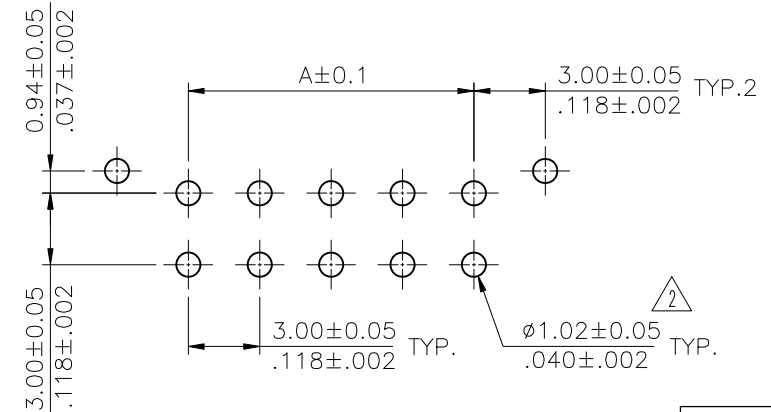
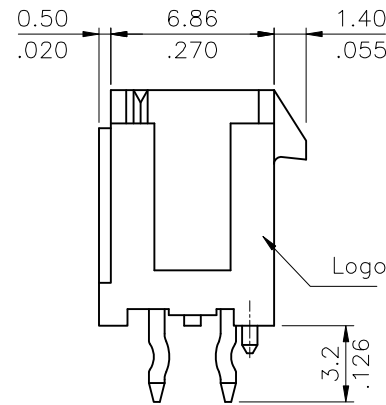
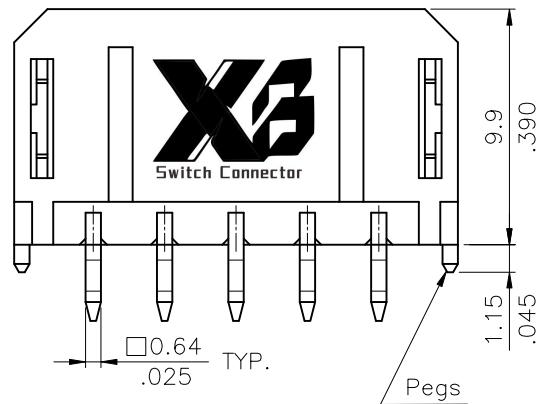
- ① Series No.
- ② No. of Circuite: 02~24
- ③ Conctact type: P = Plug
- ④ Contact plated:
1= Matte Tin over Nickel
- ⑤ V= Straight
- ⑥ Mount type : 0= Dip Type
- ⑦ Other options: 0= With pegs(Standard)
- ⑧ LF= For Lead Free IR Process

Recommended P.C. Board layout

RoHS Compliant



Circuits	Dimension	
	A	B
2	—	6.7(.264)
4	3.00(.118)	9.7(.382)
6	6.00(.236)	12.7(.500)
8	9.00(.354)	15.7(.618)
10	12.00(.472)	18.7(.657)
12	15.00(.591)	21.7(.854)
14	18.00(.709)	24.7(.972)
16	21.00(.827)	27.7(1.091)
18	24.00(.945)	30.7(1.209)
20	27.00(1.063)	33.7(1.327)
22	30.00(1.181)	36.7(1.445)
24	33.00(1.299)	39.7(1.563)



△4					DATE	UNIT: mm / inch
△3				DRAWN BY: Kenny	8/20-20'	TOLERANCE UNLESS OTHERWISE SPECIFIED
△2	Kenny	8/20-20'	ECNT120218	ENGINEER: Sun	8/25-20'	.X ± 0.30/012 X' ± 1'
△1	Michelle	11/12-19'	ECRB11905/ECNT119313	CHECKED BY: Eisley	8/25-20'	.XX ± 0.20/008 X' ±
SYM	NAME	DATE	REVISIONS	APPROVED BY: Eisley	8/25-20'	.XXX ± 0.10/004 XX' ±

TITLE: 3.00mm PITCH STRAIGHT HEADER POWER CONNECTOR
MATERIAL:
FINISH:

 东莞市溪榜电子有限公司 DONG GUAN XI BANG ELECTRONI CS CO., LTD.			
DRAWING NO.	CP3550SC	PART NO.	CP35**P1V00-LF
SCALE	3 / 1	SHEET	1 OF 1