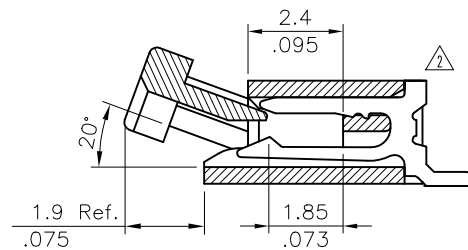
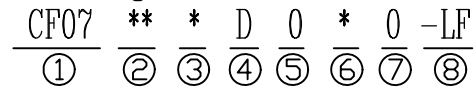


A = 1.00 * No. of Spaces
 B = A + 8.0
 C = A + 2.1
 * Available in 4 through 32 circuits

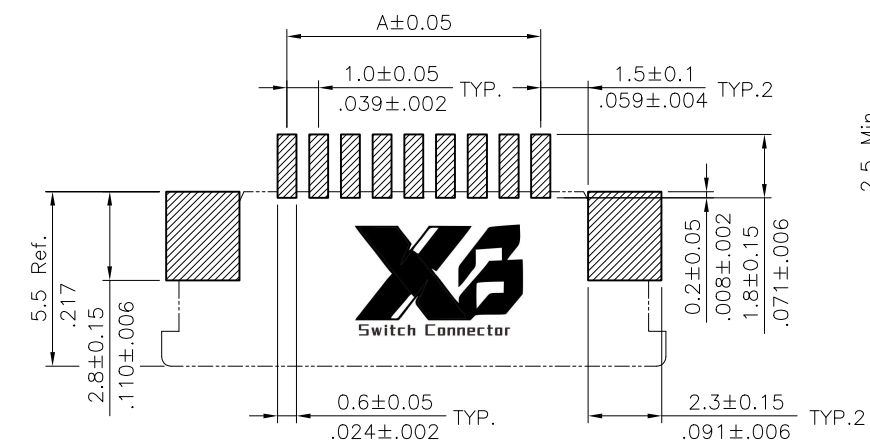
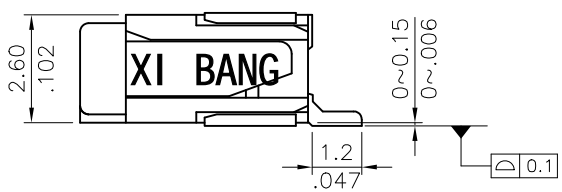
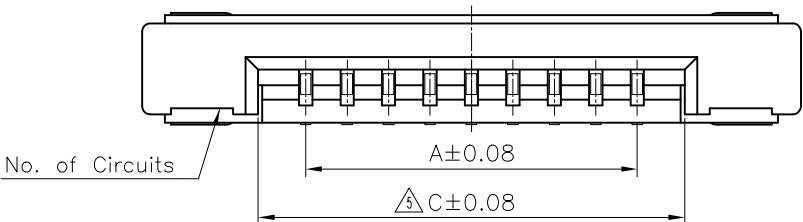


Material :
 * Body : High Temperature plastic UL 94V-0
 * Slider : High Temperature plastic UL 94V-0
 Color Black
 * Contact : Copper Alloy
 * Fixed tab : Copper Alloy with Matte Tin plated

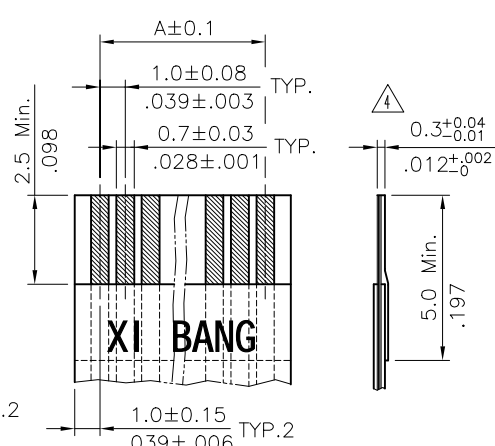
Ordering Code



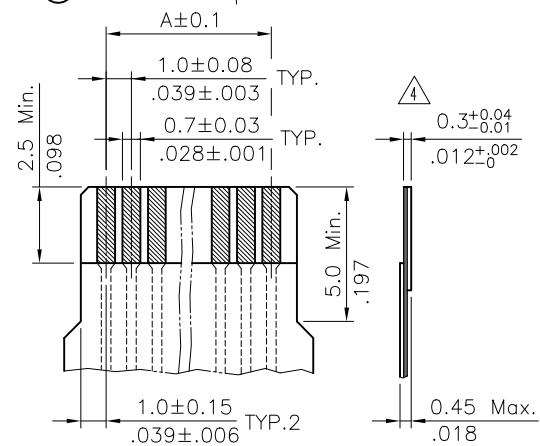
- ① Series No.
- ② No. of Circuits
- ③ Plating code:
 1 = Matte Tin plated over Nickel
 2 = Gold flash plated over 50μ"min. Nickel
- ④ Contact style: D = Downside Contact
- ⑤ Color: 0 = Nature
- ⑥ Packing options: R = Tape & Reel
 T = Tube Packing
- ⑦ Other options: 0 = Standard
- ⑧ Process options: -LF = Lead Free IR Process



Sold Pad Pattern



Accommodated FFC

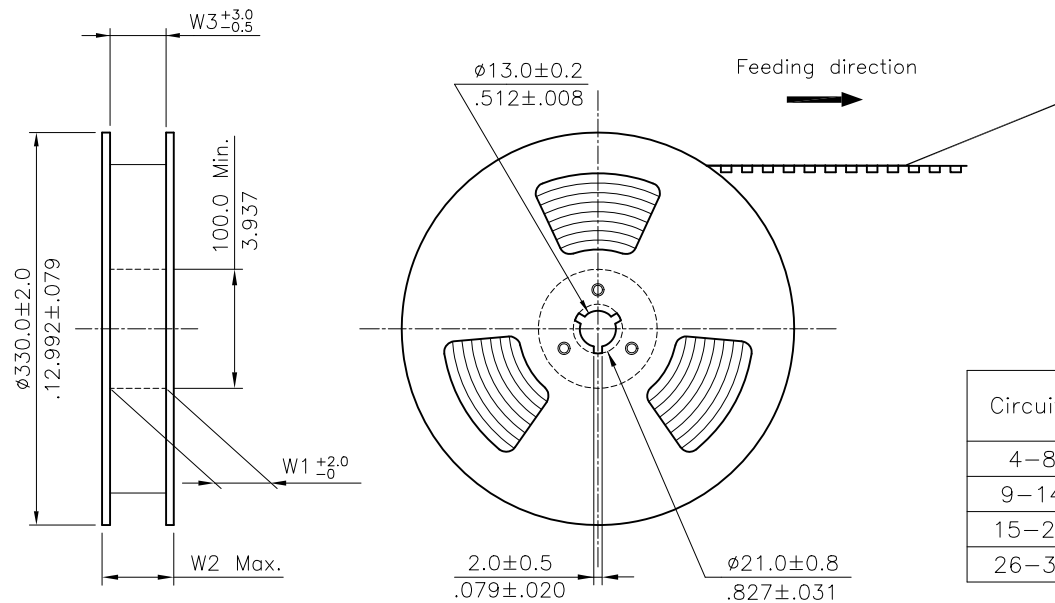


Accommodated FPC

Lead Free Process
 RoHS Compliant

⑧	Enya	10/18-13'	ECNT113069		DATE	UNIT: mm / inch	TITLE: 1.00mm(.039") ZIF FPC/FFC DOWNSIDE CONTACT SURFACE MOUNT CONNECTOR	MATERIAL:	DRAWING NO. CF0721SI	PART NO. CF07***D0*0-LF
⑦	Sandy	7/22-09'	ECN09376	DRAWN BY: Enya	10/18-13'	TOLERANCE UNLESS OTHERWISE SPECIFIED				
⑥	Sun	9/10-08'	ECR08047-2/ECN08398	ENGINEER: Sun	10/22-13'	.X ± 0.15/.006 X' ± 1'	FINISH:	SCALE 5 / 1	SHEET 1 OF 2	
⑤	Sun	5/13-08'	ECN08211	CHECKED BY: Eisley	10/24-13'	.XX ± 0.10/.004 X' ±				
SYM	NAME	DATE	REVISIONS	APPROVED BY: Eisley	10/24-13'	.XXX ± 0.05/.002 X' ±				

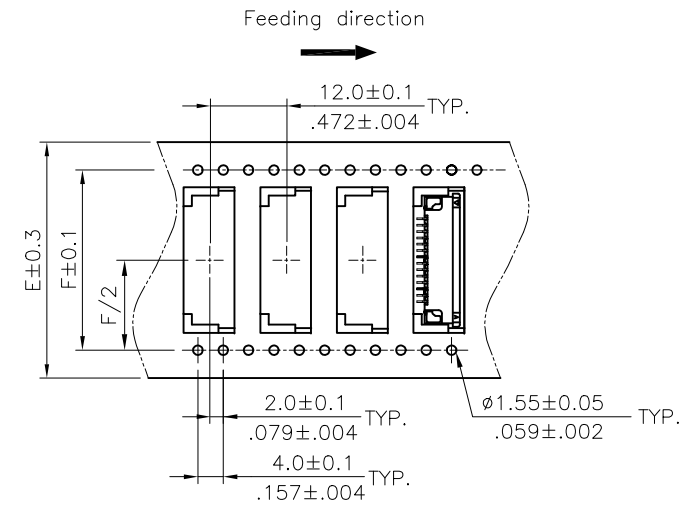
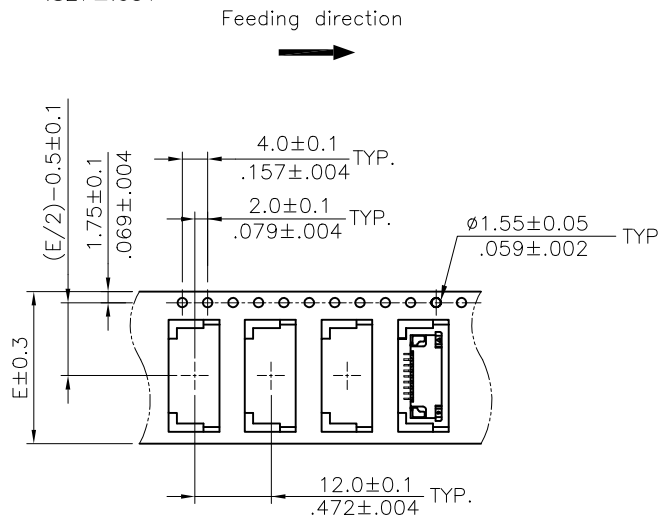
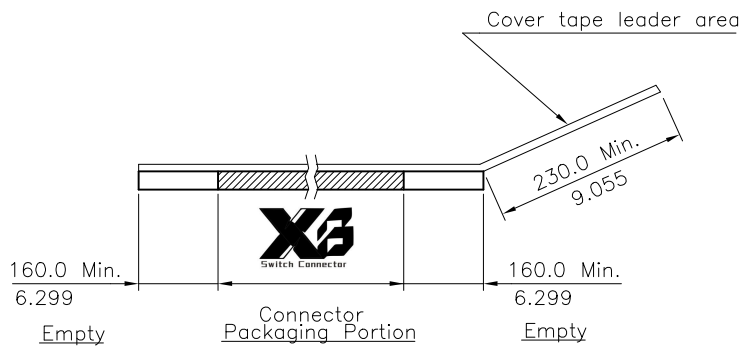
XI BANG 东莞市溪榜电子有限公司
 DONG GUAN XI BANG ELECTRONICS CO., LTD.



NOTE :

1. 10 sprocket hole pitch cumulative tolerance ± 0.20
2. Carrier camber is within 1 mm in 100 mm .
- △ 3. Material : Transparent Conductive Polystyrene Alloy (UP-5000) 100% recyclable.
4. All dimensions meet EIA-481-3 requirements.
5. Thickness : 0.33 ± 0.03 mm.
- 6 Packing length per 22" reel : 75.0 Meters.
7. Component load per 13" reel : 2000 pcs.

Circuits	Dimension				
	E	F	W1	W2	W3
4-8	24.0(.945)	-	24.5(.965)	30.5(1.201)	24.5(.965)
9-14	32.0(1.260)	28.40(1.118)	32.5(1.280)	38.5(1.516)	32.5(1.280)
15-25	44.0(1.732)	40.40(1.596)	44.5(1.752)	50.5(1.988)	44.5(1.752)
26-32	56.0(2.205)	52.40(2.062)	56.5(2.224)	62.5(2.460)	56.5(2.224)



△ 8 WIDTH : 24 mm Carrier

WIDTH : 32,44,56 mm Carrier

RoHS Compliant

SYM	NAME	DATE	REVISIONS	APPROVED BY:	DATE	UNIT: mm / inch	TITLE: 1.00mm(.039") ZIF FPC/FFC DOWNSIDE CONTACT SURFACE MOUNT CONNECTOR	MATERIAL:	FINISH:	DRAWING NO.	PART NO.	SHEET 2 OF 2
△ 8	Enya	10/18-13'	ECNT113069		DATE	UNIT: mm / inch	TITLE: 1.00mm(.039") ZIF FPC/FFC DOWNSIDE CONTACT SURFACE MOUNT CONNECTOR					
△ 7	Sandy	7/22-09'	ECN09376	DRAWN BY:	Enya	10/18-13'	TOLERANCE UNLESS OTHERWISE SPECIFIED					
△ 6	Sun	9/10-08'	ECR08047-2/ECN08398	ENGINEER:	Sun	10/22-13'	.X ±	X' ± 1'				
△ 5	Sun	5/13-08'	ECN08211	CHECKED BY:	Eisley	10/24-13'	.XX ±	.X ±				
				APPROVED BY:	Eisley	10/24-13'	.XXX ±	.XX ±				

X3 Switch Connector 东莞市溪榜电子有限公司 DONG GUAN XI BANG ELECTRONICS CO., LTD.

DRAWING NO. CF0721SI PART NO. CF07***D0*0-LF SCALE SHEET 2 OF 2

Notes :

- * Body : High Temperature plastic UL 94V-0, Color Nature
- * Slider : High Temperature plastic UL 94V-0, Color Black
- * Contact : Copper Alloy with Matte Tin plated
- * Fixed tab : Copper Alloy with Matte Tin plated
- * For Lead-Free IR Reflow process

Ordering Code

CF07 ^① ^② ^③ ^④ ^⑤ ^⑥ ^⑦ ^⑧ -NH

① Series No.

② No. of Circuits

③ Plating code:

1= Matte Tin plated over Nickel

2= Gold flash plated over Nickel

④ Contact style: D= Downside Contact

⑤ Color: 0= Nature

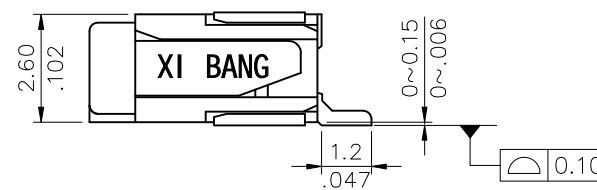
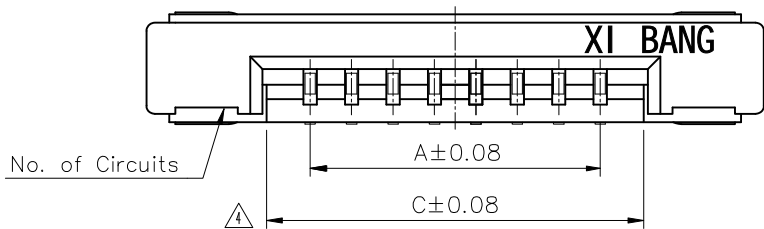
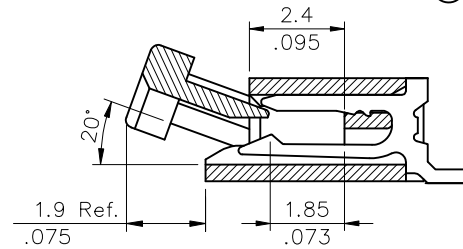
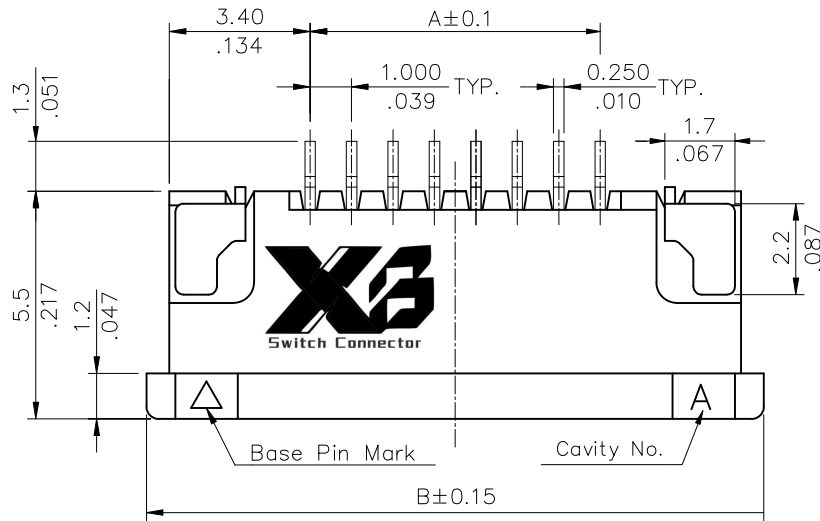
⑥ Packing options: R= Tape & Reel

T= Tube Packing

⑦ Other options: 0= Standard

⑧ Process options:

-NH= For Lead Free IR Processes and Halogen-Free



A = 1.00 * No. of Spaces

B = A + 8.0


C = A + 2.1

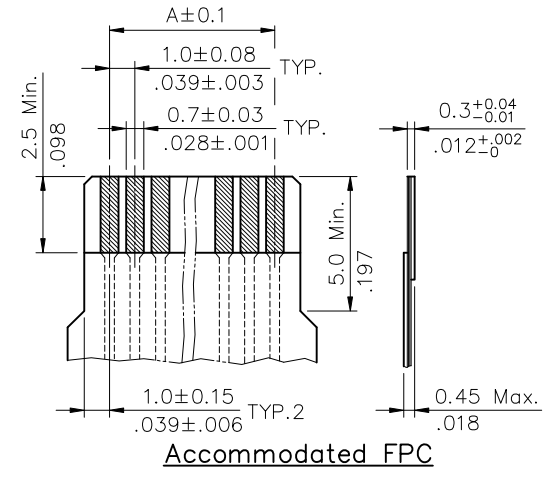
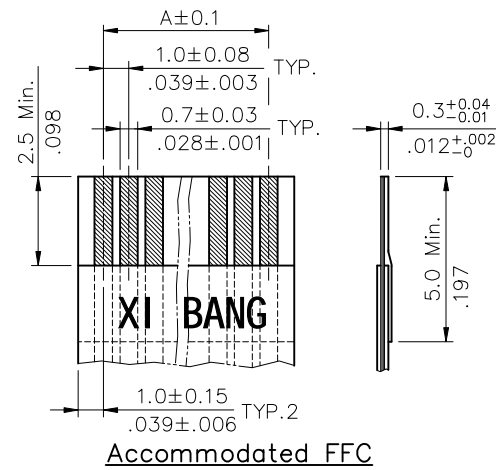
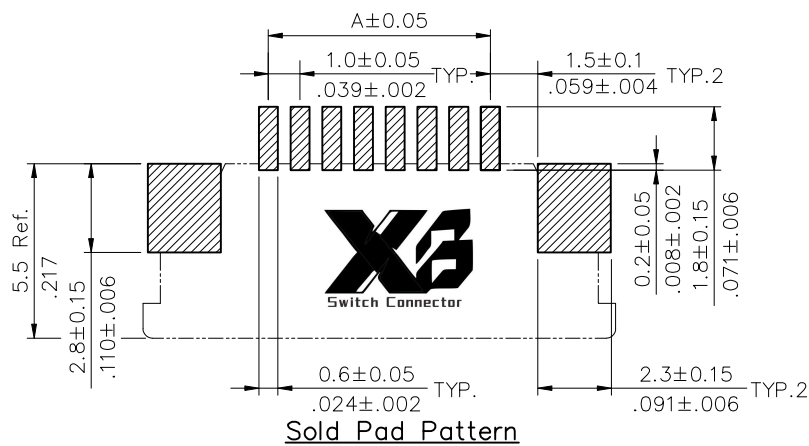
△ * Available in 4 through 32 circuits

Halogen-Free

Lead Free Process

RoHS Compliant

④	Sun	11/8-18'	ECNT118257		DATE	UNIT: mm / inch	TITLE: 1.00mm(.039") ZIF FPC/FFC DOWNSIDE CONTACT SURFACE MOUNT CONNECTOR	 东莞市溪榜电子有限公司 DONG GUAN XI BANG ELECTRONI CS CO., LTD.
③	Enya	10/18-13'	ECNT113069	DRAWN BY:	Sun	11/8-18'	TOLERANCE UNLESS OTHERWISE SPECIFIED	
②	Una	8/17-11'	ECN11184	ENGINEER:	Sun	11/8-18'	.X ± 0.15/.006 X' ± 1'	
①	Sun	9/10-08'	ECR08047-2/ECN08398	CHECKED BY:	Eisley	11/14-18'	.XX ± 0.10/.004 .X' ±	
SYM	NAME	DATE	REVISIONS	APPROVED BY:	Eisley	11/14-18'	.XXX ± 0.05/.002 .XX' ±	MATERIAL:
								FINISH:
								DRAWING NO. CF0732SE PART NO. CF07***D0*0-NH
								SCALE 5 / 1 SHEET 1 OF 3



Halogen-Free Lead Free Process RoHS Compliant

4	Sun	11/8-18'	ECNT118257		DATE	UNIT: mm / inch
3	Enya	10/18-13'	ECNT113069	DRAWN BY: Sun	11/8-18'	TOLERANCE UNLESS OTHERWISE SPECIFIED
2	Una	8/17-11'	ECN11184	ENGINEER: Sun	11/8-18'	.X ± .X' ± 1'
1	Sun	9/10-08'	ECR08047-2/ECN08398	CHECKED BY: Eisley	11/14-18'	.XX ± .X' ±
SYM	NAME	DATE	REVISIONS	APPROVED BY: Eisley	11/14-18'	.XXX ± .XX' ±

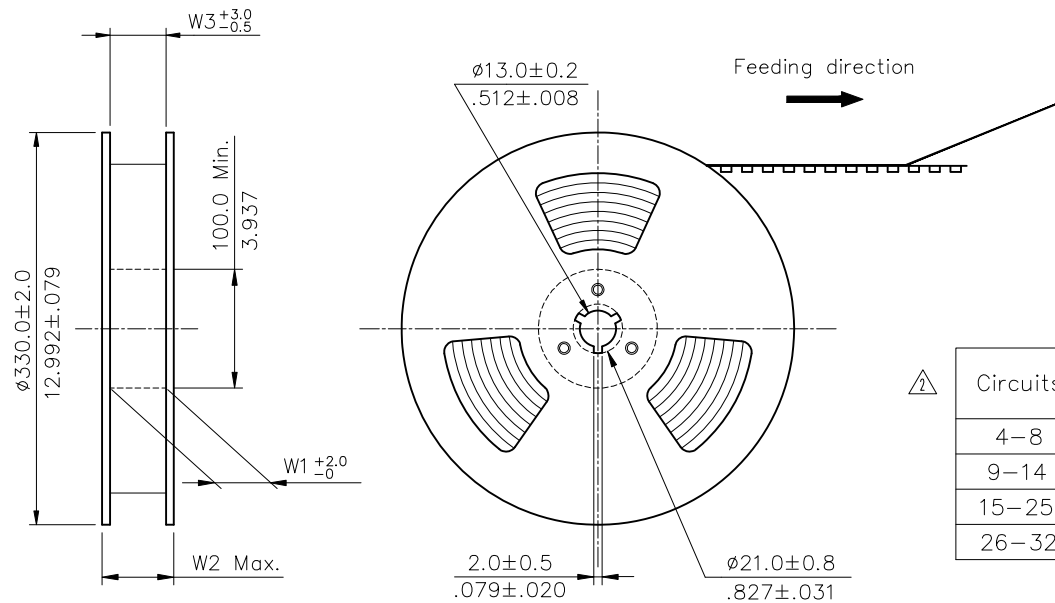
TITLE: 1.00mm(.039") ZIF FPC/FFC
 DOWNSIDE CONTACT SURFACE
 MOUNT CONNECTOR

MATERIAL:

FINISH:

X3 东莞市溪榜电子有限公司
 Switch Connector DONG GUAN XI BANG ELECTRONICS CO., LTD.

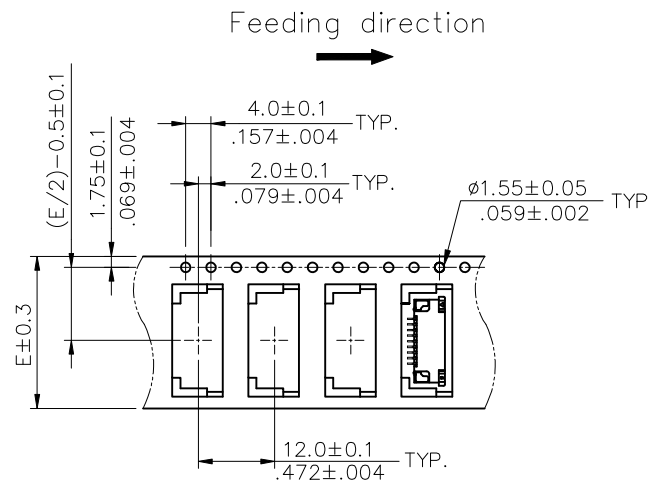
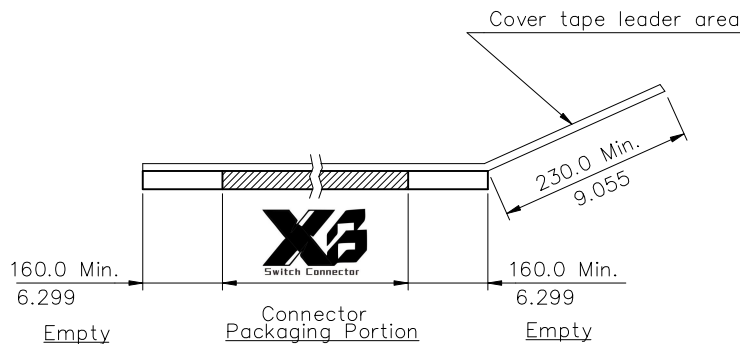
DRAWING NO.	CF0732SE	PART NO.	CF07***D0*0-NH
SCALE		SHEET	2 OF 3



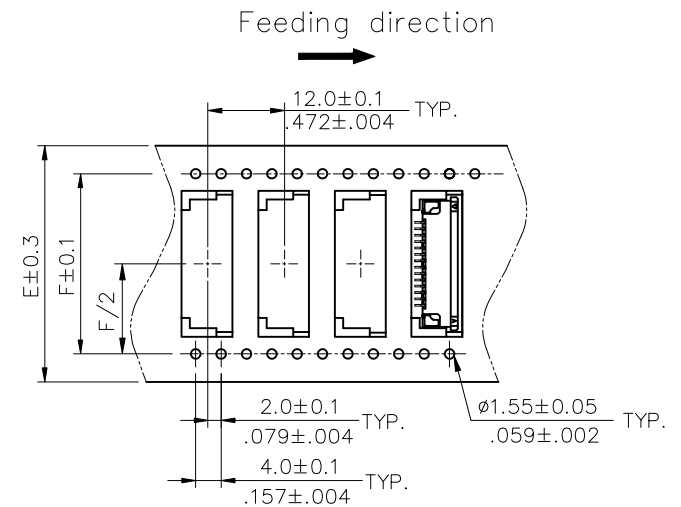
NOTE :

1. 10 sprocket hole pitch cumulative tolerance±0.20
2. Carrier camber is within 1 mm in 100 mm .
- △3. Material : Transparent Conductive Polystyrene Alloy (UP-5000)100% recyclable.
4. All dimensions meet EIA-481-3 requirements.
5. Thickness : 0.33±0.03mm.
- 6 Packing length per 22" reel : 75.0 Meters.
7. Component load per 13" reel : 2000 pcs.

Circuits	Dimension				
	E	F	W1	W2	W3
4-8	24.0(.945)	-	24.5(.965)	30.5(1.201)	24.5(.965)
9-14	32.0(1.260)	28.40(1.118)	32.5(1.280)	38.5(1.516)	32.5(1.280)
15-25	44.0(1.732)	40.40(1.596)	44.5(1.752)	50.5(1.988)	44.5(1.752)
26-32	56.0(2.205)	52.40(2.062)	56.5(2.224)	62.5(2.460)	56.5(2.224)



△ WIDTH : 24 mm Carrier

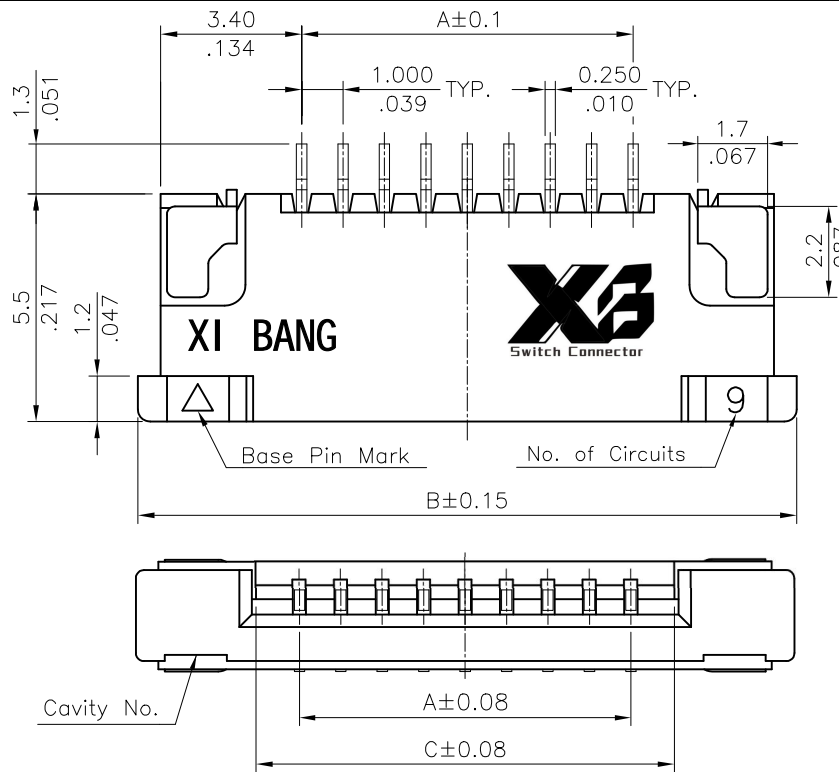


WIDTH : 32,44,56 mm Carrier

RoHS Compliant

SYM	NAME	DATE	REVISIONS	APPROVED BY:	DATE	UNIT: mm / inch	TITLE: 1.00mm(.039") ZIF FPC/FFC DOWNSIDE CONTACT SURFACE MOUNT CONNECTOR	MATERIAL:	DRAWING NO. CF0732SE	PART NO. CF07***D0*0-NH	SCALE	SHEET 3 OF 3
4	Sun	11/8-18'	ECNT118257		DATE	UNIT: mm / inch	TITLE: 1.00mm(.039") ZIF FPC/FFC DOWNSIDE CONTACT SURFACE MOUNT CONNECTOR					
3	Enya	10/18-13'	ECNT113069	DRAWN BY: Sun	11/8-18'	TOLERANCE UNLESS OTHERWISE SPECIFIED		MATERIAL:	DRAWING NO. CF0732SE	PART NO. CF07***D0*0-NH	SCALE	SHEET 3 OF 3
2	Una	8/17-11'	ECN11184	ENGINEER: Sun	11/8-18'	.X ±	.X' ± 1'					
1	Sun	9/10-08'	ECR08047-2/ECN08398	CHECKED BY: Eisley	11/14-18'	.XX ±	.X' ±					
				APPROVED BY: Eisley	11/14-18'	.XXX ±	.XX' ±	FINISH:				

XB 东莞市溪榜电子有限公司
DONG GUAN XI BANG ELECTRONICS CO., LTD.



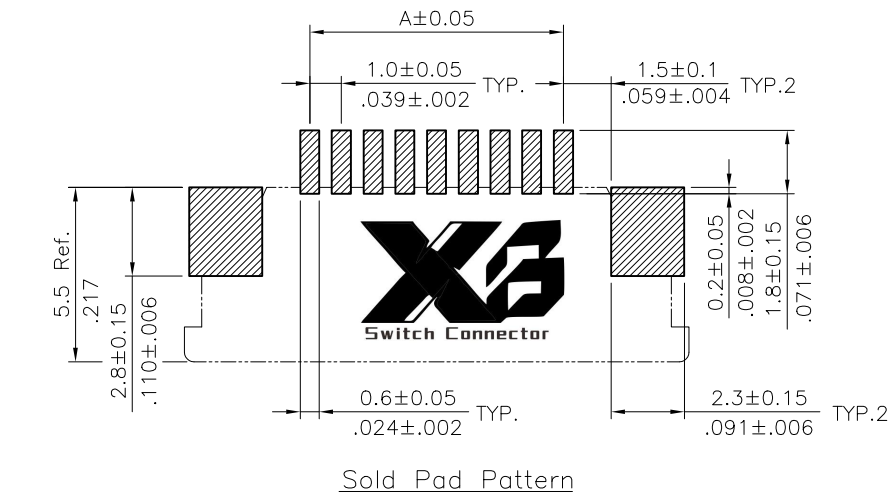
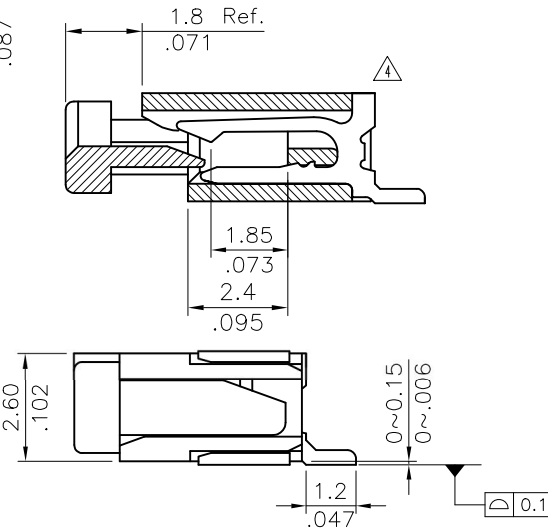
Material :
 * Body : High Temperature plastic UL94V-0
 * Slider : High Temperature plastic UL94V-0
 Color Brown
 * Contact : Copper Alloy
 * Fixed tab : Copper Alloy with Tin plated

Material :
 * Body : High Temperature plastic UL94V-0
 * Slider : High Temperature plastic UL94V-0
 Color Brown
 * Contact : Copper Alloy
 * Fixed tab : Copper Alloy with Tin plated

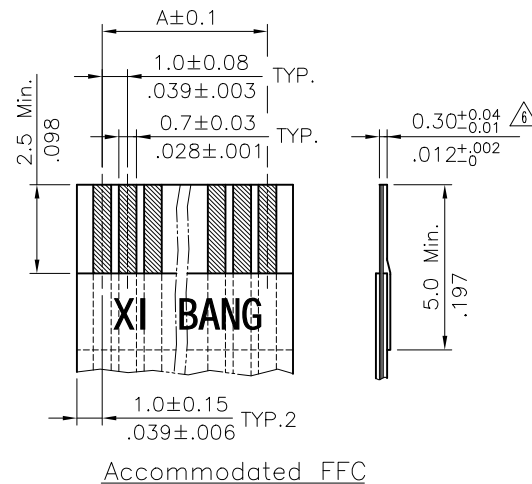
Ordering Code

CF07 ** * U 0 * 0
 ① ② ③ ④ ⑤ ⑥ ⑦

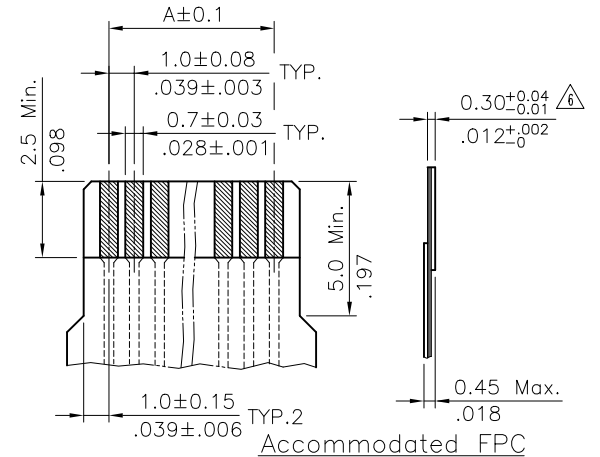
- ① Series No.
- ② No. of Circuits
- ④ Contact style: U= Upside Contact
- ⑤ Color: 0= Nature
- ⑥ Packing options: R= Tape & Reel
T= Tube Packing
- ⑦ Other options: 0= Standard



Sold Pad Pattern



Accommodated FFC



Accommodated FPC

Tin-Lead Process RoHS Compliant

⑧	Enya	10/18-13'	ECNT113069		DATE	UNIT: mm / inch	TITLE: 1.00mm(.039") ZIF FPC/FFC UPSIDE CONTACT SURFACE MOUNT CONNECTOR	
⑧	Sun	9/10-08'	ECR08047-2/ECN08398	DRAWN BY:	Enya	10/18-13'	MATERIAL:	
⑦	Sun	5/09-08'	ECN08211	ENGINEER:	Sun	10/22-13'		
⑥	Sandy	9/17-07'	ECN07381/ECR07065-1	CHECKED BY:	Eisley	10/24-13'		
SYM	NAME	DATE	REVISIONS	APPROVED BY:	Eisley	10/24-13'		
							TOLERANCE UNLESS OTHERWISE SPECIFIED	FINISH:
							.X ± 0.15/.006 X' ± 1'	
							.XX ± 0.10/.004 .X' ±	
							.XXX ± 0.05/.002 .XX' ±	

东莞市溪榜电子有限公司 DONG GUAN XI BANG ELECTRONI CS CO., LTD.			
DRAWING NO.	CF0702SP	PART NO.	CF07***U0*0
SCALE	5 / 1	SHEET	1 OF 2

