

Material :

- * Base:
High Temperature Plastic UL 94V-0
Color Nature (Halogen-Free)
- * Contact :
Phosphor Bronze, With Tin plated
- * Tab :
Brass, With Tin plated

Ordering Code:

CIL4 02 M 1 H R 0 -NH
① ② ③ ④ ⑤ ⑥ ⑦ ⑧

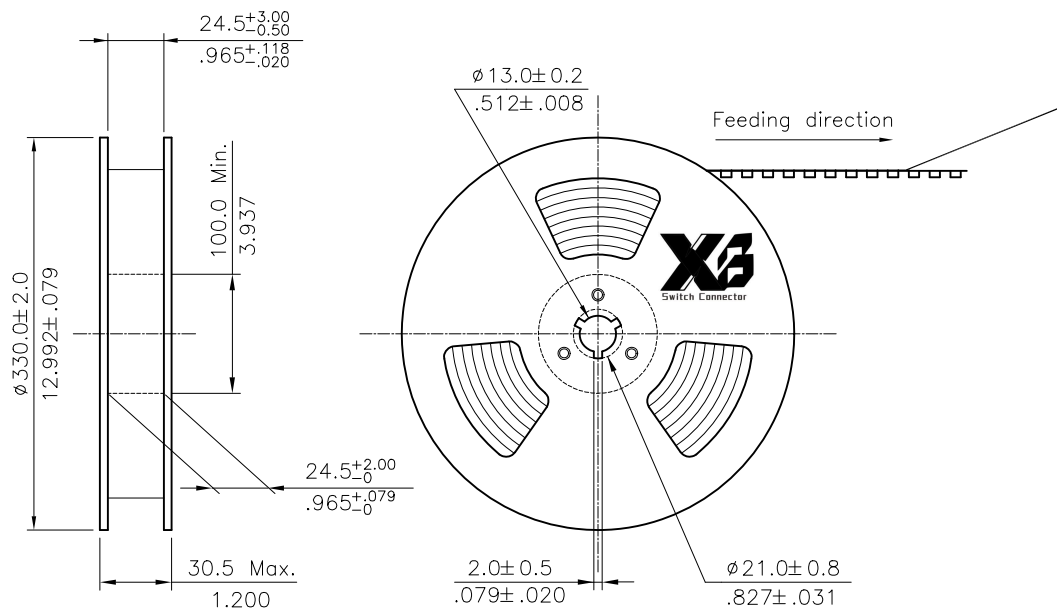
- ① Series No.
- ② No. of Circuits: 02 Pin
- ③ M= SMT Type
- ④ Plating: 1= 3.05um(120u")~4.88um(192u")
Matte Tin over
1.27um(50u") Nickel
- ⑤ Type: H= Side Entry
- ⑥ Packing Options: R= Tape & Reel packing
- ⑦ Option: 0= Standard
- ⑧ Other option:
-NH= For Lead Free IR Processes
and Halogen-Free

Halogen-Free

Lead Free Process

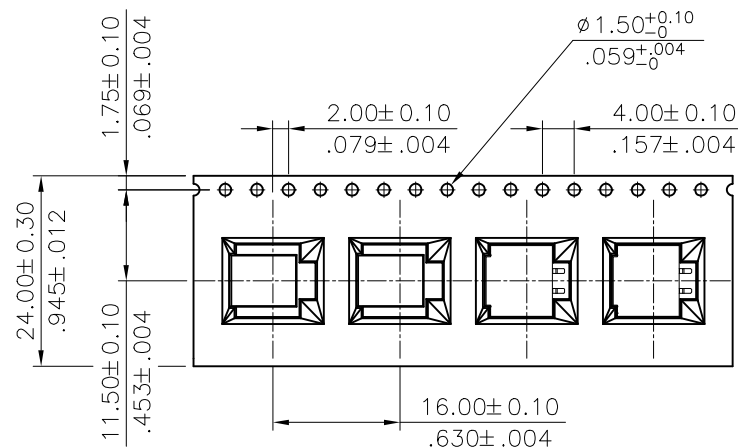
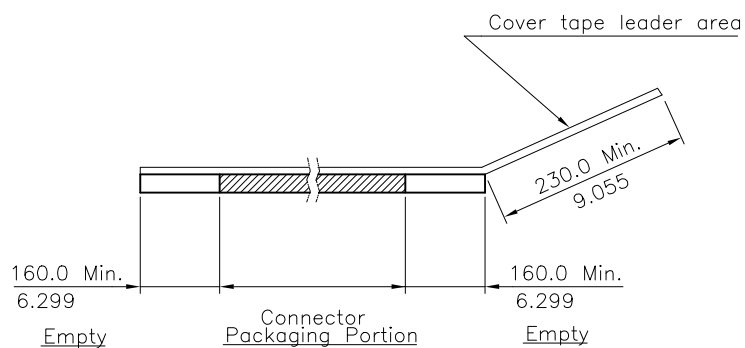
RoHS Compliant

④					DATE	UNIT: mm / inch	TITLE:	东莞市溪榜电子有限公司 DONG GUAN XI BANG ELECTRONI CS CO., LTD.
③				DRAWN BY:	Clark	5/6-15'	CIL4 series connector	
②				ENGINEER:	Clark	5/6-15'	MATERIAL:	DRAWING NO. CIL401SA PART NO. CIL402M1HR0-NH
①	Clark	05/06-15	ECNT115097	CHECKED BY:	David	5/8-15'	FINISH:	
SYM	NAME	DATE	REVISIONS	APPROVED BY:	David	5/8-15'	SCALE	




NOTE :

- * Reel Material : Corrugated Paper
- * Carrier Material : Clear, Conductive Polystyrene Alloy
- * Cover Tape Material : Polyester
- * Cover Tape Peel Strength : 0.1N – 1.3N
- * Carrier camber is within 1mm in 100mm
- * All dimensions meet EIA-481-2 & EIA-481-3 requirements.
- * Quantity : 900 PCS/Reel
- * Packing : 9 Reel/Cartron



WIDTH : 24 mm Carrier

RoHS Compliant

4					DATE	UNIT: mm / inch	TITLE:	
3				DRAWN BY:	Clark	5/6-15'	MATERIAL:	
2				ENGINEER:	Clark	5/6-15'		
1	Clark	05/06-15	ECNT115097	CHECKED BY:	David	5/8-15'	FINISH:	
SYM	NAME	DATE	REVISIONS	APPROVED BY:	David	5/8-15'		
							 东莞市溪榜电子有限公司 DONG GUAN XI BANG ELECTRONICS CO., LTD.	
DRAWING NO.		CIL401SA		PART NO.		CIL402M1HR0-NH		
SCALE				SHEET		3 OF 3		