

Note:

1. Material: NYLON 66 UL94 V-0
Color Nature

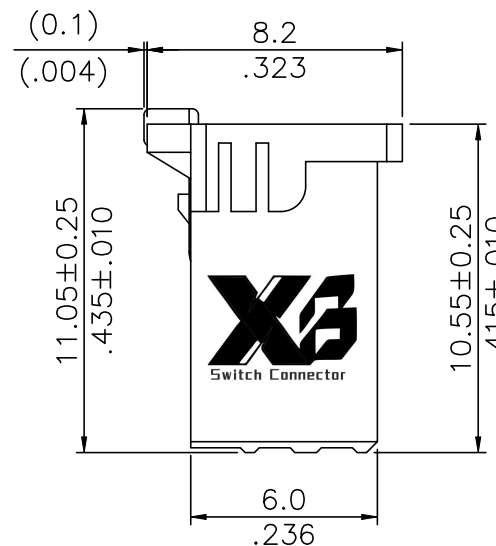
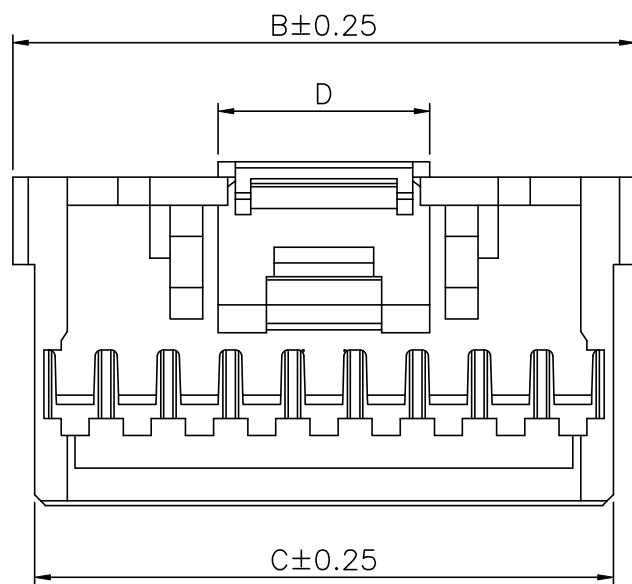
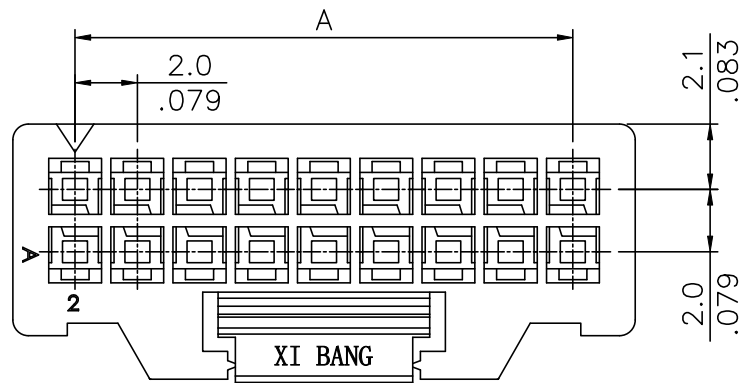
Ordering Code:

CIEW ** S 0000
① ② ③ ④

- ① Series No.
- ② No. of Circuits
- ③ S= Housing
- ④ Color Option: 0000= Color Nature

Dim.A= (Circuit/2-1) x 2.00
Dim.B= Dim.A + 4.00
Dim.C= Dim.A + 2.60
Dim.D= 10PIN: 5.1
12~34PIN: 6.8

*Available in 10~34 circuits



Halogen-Free RoHS Compliant

④					DATE	UNIT: mm / inch	TITLE:
③				DRAWN BY:	Eric	1/11-24'	CIEW SERIES HOUSING
②				ENGINEER:	Eric	1/11-24'	MATERIAL:
⑤				CHECKED BY:	Eisley	1/11-24'	FINISH:
SYM	NAME	DATE	REVISIONS	APPROVED BY:	Eisley	1/11-24'	

 东莞市溪榜电子有限公司 DONG GUAN XI BANG ELECTRONI CS CO., LTD.			
DRAWING NO.	CIEW02SA	PART NO.	CIEW**S000
SCALE	3 / 1	SHEET	1 OF 1

TOLERANCE UNLESS OTHERWISE SPECIFIED	
.X ± 0.30/012	X.' ± 1'
.XX ± 0.20/008	.X' ±
.XXX ± 0.10/004	.XX' ±