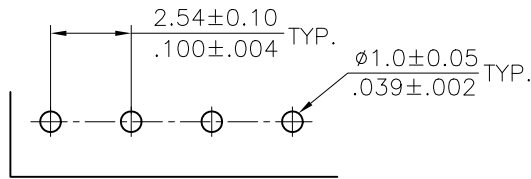
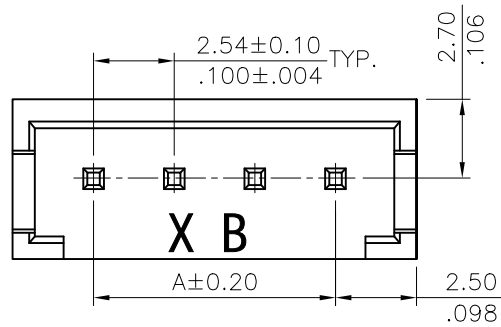
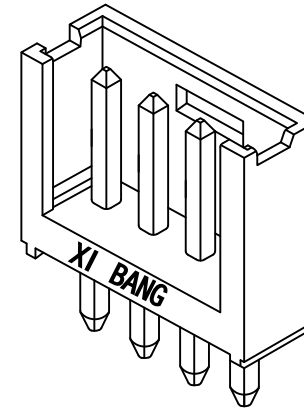
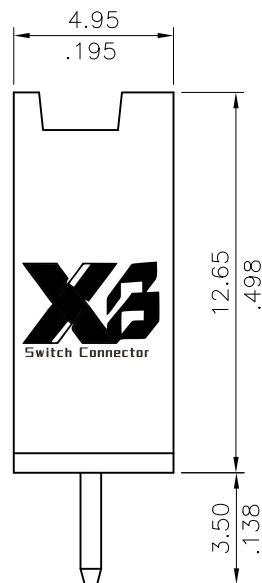
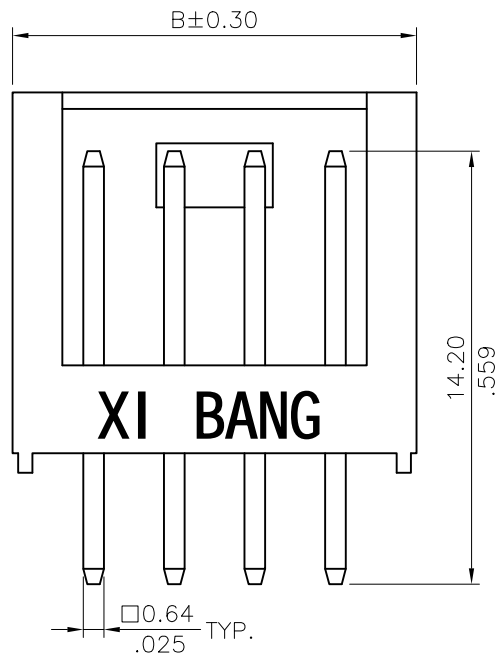


Note:

1. Material:
 - * Insulation: PBT UL 94V-0
 - Color Black
 - * Contact: Brass
2. For Tin-Lead Wave Flow Process



Recommended P.C. Board Layout



Ordering Code:

CID7 ** P 1 V 0 0
 ① ② ③ ④ ⑤ ⑥ ⑦

- ① Series No.
- ② No. of Circuits:
- ③ P= Pin header
- ④ Plating:
 - 1 = 1.78 μm(70 μ")~3.05 μm(120 μ") Tin plated over 0.76 μm(30 μ")Nickel
- ⑤ Type: V= Straight
- ⑥ Other option: 00= Standard

Circuits	Dimension	
	A	B
2	2.54(.100)	7.70(.303)
3	5.08(.200)	10.20(.402)
4	7.62(.300)	12.70(.500)
5	10.16(.400)	15.20(.598)
6	12.70(.500)	17.80(.701)
7	15.24(.600)	20.30(.799)
8	17.78(.700)	22.90(.902)
9	20.32(.800)	25.40(1.000)
10	22.86(.900)	28.00(1.102)
11	25.40(1.000)	30.50(1.201)
12	27.94(1.100)	33.10(1.303)
13	30.48(1.200)	35.60(1.402)
14	33.02(1.300)	38.10(1.500)
15	35.56(1.400)	40.70(1.602)
16	38.10(1.500)	43.20(1.701)
17	40.64(1.600)	45.70(1.799)
18	43.18(1.700)	48.20(1.898)
19	45.72(1.800)	50.70(1.996)
20	48.26(1.900)	53.20(2.094)
22	53.34(2.100)	58.50(2.303)

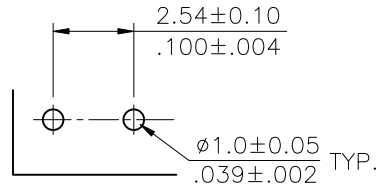
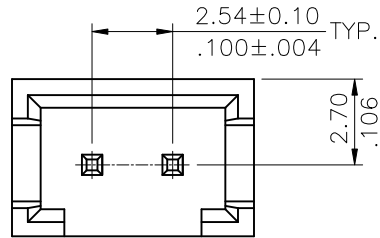
Tin-Lead Process

RoHS Compliant

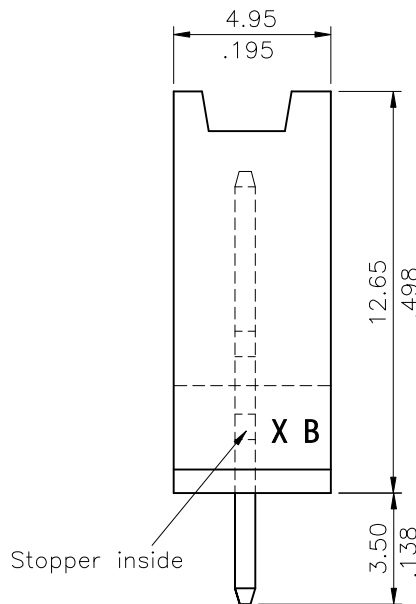
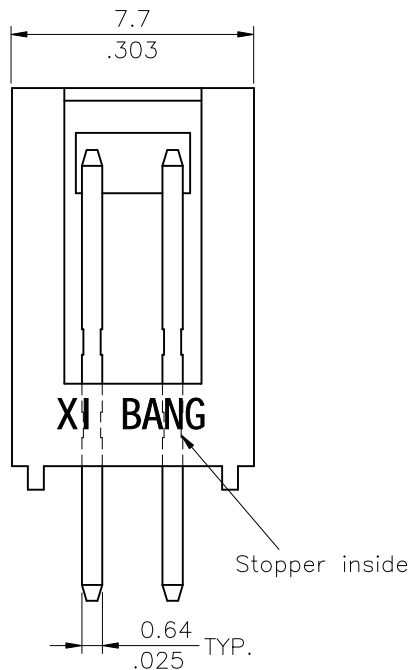
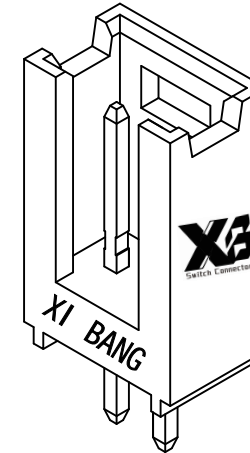
④					DATE	UNIT: mm / inch	TITLE: 2.54MM(.100") STRAIGHT HEADER	东莞市溪榜电子有限公司 DONG GUAN XI BANG ELECTRONICS CO., LTD
③				DRAWN BY: Ellie	6/17-15'	TOLERANCE UNLESS OTHERWISE SPECIFIED	MATERIAL:	
②				ENGINEER: Eisley	6/18-15'	.X ± 0.30/.012 X: ±	FINISH:	
①				CHECKED BY: Eisley	6/18-15'	.XX ± 0.20/.008 .X: ±		
SYM	NAME	DATE	REVISIONS	APPROVED BY: David	6/18-15'	.XXX ± 0.10/.004 .XX: ±		
DRAWING NO. CID701SA								PART NO. CID7**P1V00
SCALE 4 / 1								SHEET 1 OF 1

Note:

1. Material:
 - * Insulation: PBT UL 94V-0, Color Black
 - * Contact: Brass
2. For Tin-Lead Wave Flow Process



Recommended P.C. Board Layout



Ordering Code:

CID7 02 P 1 V 0 S
 ① ② ③ ④ ⑤ ⑥ ⑦

- ① Series No.
- ② No. of Circuits:
- ③ P= Pin header
- ④ Plating:
 1 = 1.78 μm(70 μ")~3.05 μm(120 μ") Tin plated over 0.76 μm(30 μ")Nickel
- ⑤ Type: V= Straight
- ⑥ Other option: 0S= With Stopper

Tin-Lead Process

RoHS Compliant

④					DATE	UNIT: mm / inch	TITLE: 2.54MM(.100") STRAIGHT HEADER
③				DRAWN BY: Sun	3/04-19'	TOLERANCE UNLESS OTHERWISE SPECIFIED	MATERIAL:
②				ENGINEER: Sun	3/04-19'		
①				CHECKED BY: Eisley	3/04-19'	.X ± 0.30/.012 X: ±	FINISH:
SYM	NAME	DATE	REVISIONS	APPROVED BY: Eisley	3/04-19'	.XX ± 0.20/.008 .X: ±	
						.XXX ± 0.10/.004 .XX: ±	

东莞市溪榜电子有限公司
 DONG GUAN XI BANG ELECTRONICS CO., LTD

DRAWING NO. CID709SA PART NO. CID702P1V0S

SCALE 4 / 1 SHEET 1 OF 1