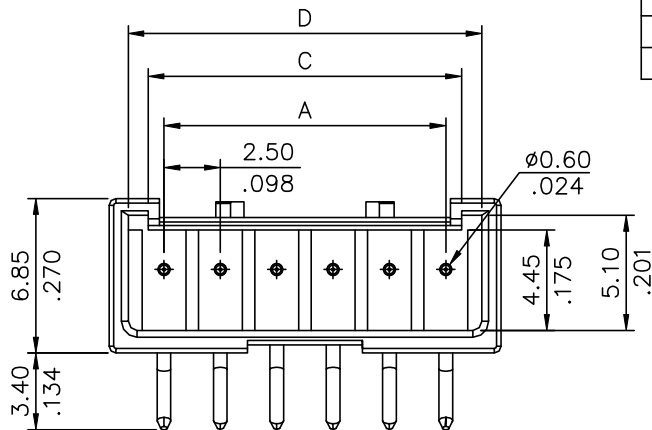
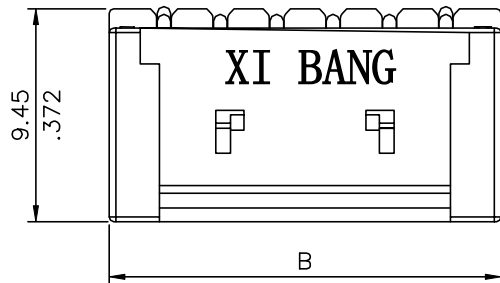
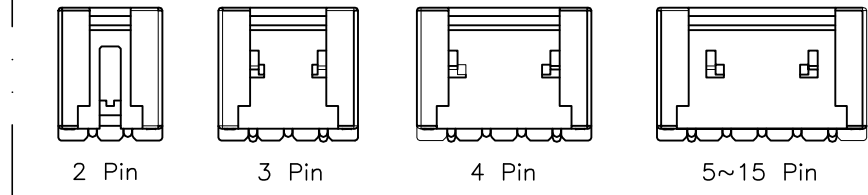


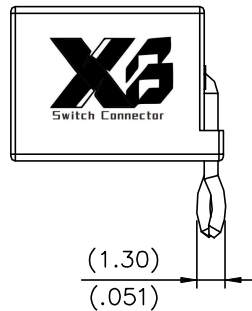
Notes:

- \* Insulation: Nylon 10T+35%G.F. UL 94V-0, Color Nature
- \* Contact: Brass, round pins

Lock configuration



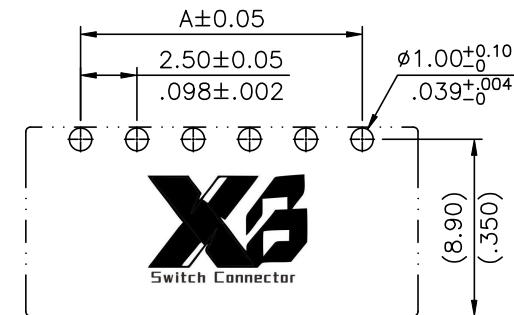
Circuits	Dimension			
	A	B	C	D
2	2.50(.098)	7.40(.291)	3.90(.154)	5.70(.224)
3	5.00(.197)	9.90(.390)	6.40(.252)	8.20(.323)
4	7.50(.295)	12.40(.488)	8.90(.350)	10.70(.421)
5	10.00(.393)	14.90(.587)	11.40(.449)	13.20(.520)
6	12.50(.492)	17.40(.685)	13.90(.547)	15.70(.618)
7	15.00(.591)	19.90(.783)	16.40(.646)	18.20(.717)
8	17.50(.689)	22.40(.882)	18.90(.744)	20.70(.815)
9	20.00(.787)	24.90(.980)	21.40(.843)	23.20(.913)
10	22.50(.886)	27.40(1.079)	23.90(.941)	25.70(1.012)
11	25.00(.984)	29.90(1.177)	26.40(1.039)	28.20(1.110)
12	27.50(1.083)	32.40(1.276)	28.90(1.138)	30.70(1.209)
13	30.00(1.181)	34.90(1.374)	31.40(1.236)	33.20(1.307)
14	32.50(1.280)	37.40(1.472)	33.90(1.335)	35.70(1.406)
15	35.00(1.378)	39.90(1.571)	36.40(1.433)	38.20(1.504)



Ordering Code:

CIEP \*\* P 1 H KO -NH  
 ① ② ③ ④ ⑤ ⑥ ⑦

- ① Series No.
- ② No. of Circuits
- ③ Contact type: P= Pin header
- ④ Plating option:  
1= Tin plated over Nickel
- ⑤ Tail Style: H= Right Angle
- ⑥ Option:  
KO= With Pin Kinked, Without Peg
- ⑦ -NH= For Lead Free Wave flow Process and Halogen-Free



Recommended P.C. Board Layout

Halogen-Free  
 Lead Free Process  
 RoHS Compliant

SYM	NAME	DATE	REVISIONS	APPROVED BY:	Eisley	11/7-23'	UNIT: mm / inch	TITLE: 2.50MM(.098") PITCH DIP RIGHT ANGLE HEADERS	MATERIAL:	FINISH:	DRAWING NO. CIEP08SA	PART NO. CIEP**P1HK0-NH	SCALE 3 / 1	SHEET 1 OF 1
4							TOLERANCE UNLESS OTHERWISE SPECIFIED							
3				DRAWN BY:	Eric	11/7-23'								
2				ENGINEER:	Eric	11/7-23'	.XX ± 0.20/.008	.X' ±						
1				CHECKED BY:	Eisley	11/7-23'	.XXX ± 0.10/.004	.XX' ±						

**XIBANG** 东莞市溪榜电子有限公司  
 DONG GUAN XI BANG ELECTRONICS CO., LTD.