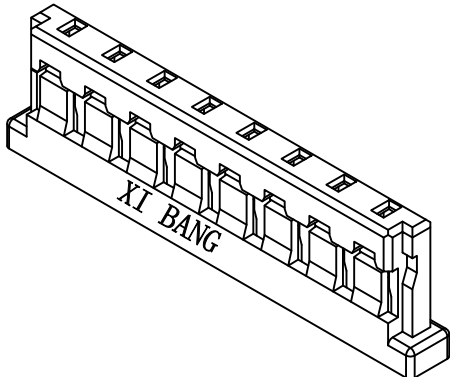
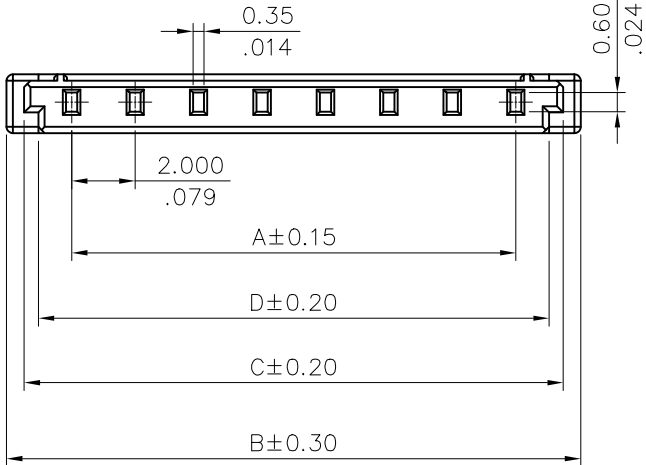


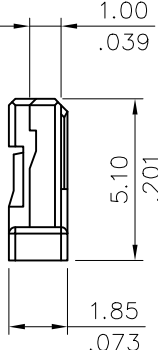
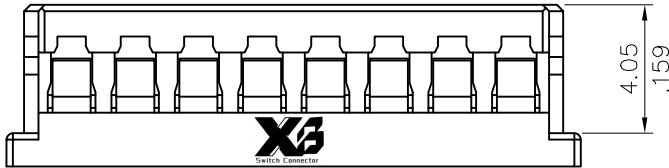
Material :
Polyamide UL94 V-0 , Color Nature



Ordering Code:

CI99 ** S 0000
① ② ③ ④

- ① Series No.
- ② No. of Circuits: 06~10 Pin
- ③ Type: S= Housing
- ④ Other options: 0000= Standard



Circuits	Dimension			
	A	B	C	D
06	10.00(.394)	14.10(.555)	13.00(.512)	12.10(.476)
07	12.00(.472)	16.10(.634)	15.00(.591)	14.10(.555)
08	14.00(.551)	18.10(.713)	17.00(.669)	16.10(.634)
09	16.00(.630)	20.10(.791)	19.00(.748)	18.10(.713)
10	18.00(.709)	22.10(.870)	21.00(.827)	20.10(.791)

Halogen-Free RoHS Compliant

④					DATE	UNIT: mm / inch	TITLE:	东莞市溪榜电子有限公司 DONG GUAN XI BANG ELECTRONICS CO., LTD.	
③				DRAWN BY:	Clark	7/15-15'	CI99 Series Housing		
②				ENGINEER:	Clark	7/15-15'	MATERIAL:		
①	Clark	07/15-15'	ECNT115170	CHECKED BY:	Eisley	7/21-15'	FINISH:		
SYM	NAME	DATE	REVISIONS	APPROVED BY:	Eisley	7/21-15'		DRAWING NO. CI9904SA	PART NO. CI99**S0000
								SCALE 4 / 1	SHEET 1 OF 1