

Recommended P.C.B Layout

Notes:

- * Base: High Temperature Plastic UL 94V-0
Color Black (Halogen-Free)
- * Contact : Copper Alloy
- * Shell : Stainless Steel
solder area gold flash over nickel

Ordering Code:

CI99 ** M 2 H R 0 -NH
① ② ③ ④ ⑤ ⑥ ⑦ ⑧

- ① Series No.
- ② No. of Circuits: 06 ~ 10 Pin
- ③ M= SMT Type
- ④ Plating: 2= 0.03um(1.2u") Min. Gold Flash Plating on Contact area and Solder tails, 1.27um(50u") Nickel Underplating over all
- ⑤ Type: H= Side entry
- ⑥ Packing Options: R= Tape & Reel packing
- ⑦ Option: 0= Standard
- ⑧ Other option:
-NH= For Lead Free IR Processes and Halogen-Free

Circuits	Dimension			
	A	B	C	D
06	10.00(.394)	17.2(.677)	12.2(.480)	15.7(.618)
07	12.00(.472)	19.2(.756)	14.2(.559)	17.7(.697)
08	14.00(.551)	21.2(.835)	16.2(.638)	19.7(.776)
09	16.00(.630)	23.2(.913)	18.2(.717)	21.7(.854)
10	18.00(.709)	25.2(.992)	20.2(.795)	23.7(.933)

Halogen-Free

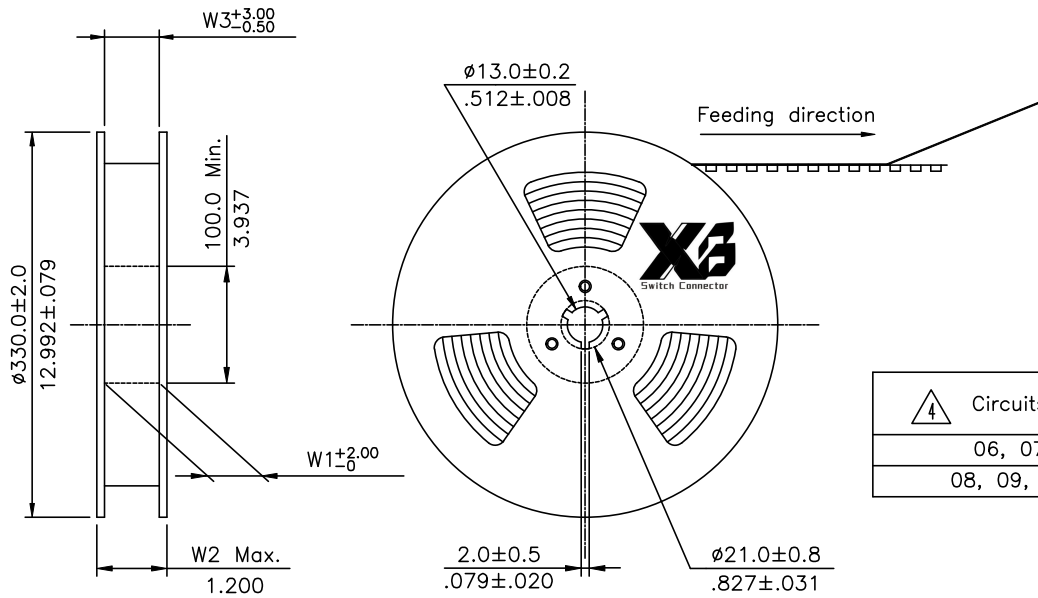
Lead Free Process

RoHS Compliant

④	Jack	12/22-23'	ECNT123179/ECRB123029		DATE	UNIT: mm / inch	TITLE:
③	Clark	12/09-15'	ECNT115263	DRAWN BY:	Jack	12/22-23'	TOLERANCE UNLESS OTHERWISE SPECIFIED
②	Karen	12/25-14'	ECNT114252/ECRT114090	ENGINEER:	Clark	12/22-23'	
①	Clark	05/06-14'	ECNT114087	CHECKED BY:	Eisley	12/22-23'	MATERIAL:
SYM	NAME	DATE	REVISIONS	APPROVED BY:	Eisley	12/22-23'	FINISH:

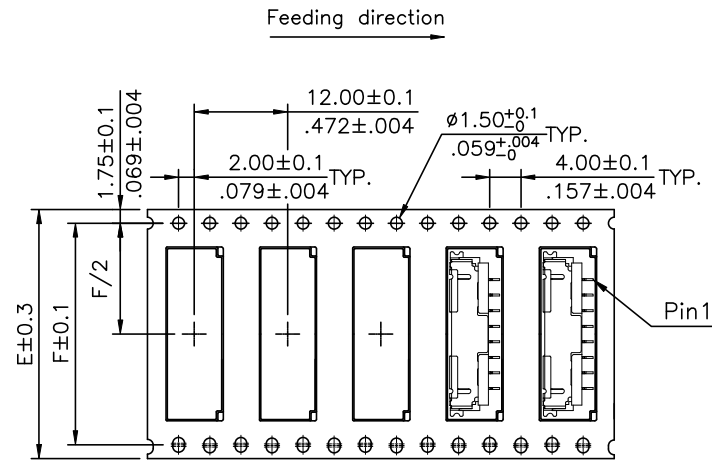
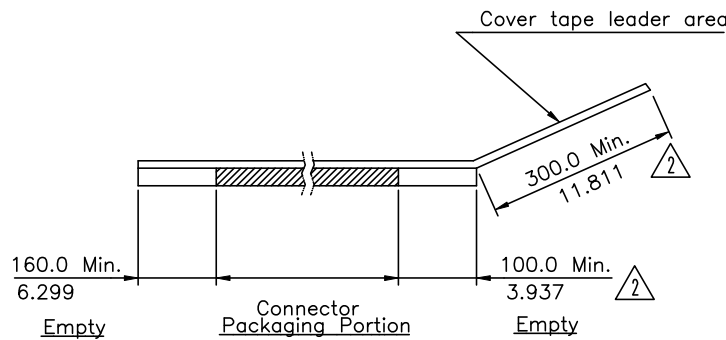
				.X ± 0.25/.010	.X' ± 1'
				.XX ± 0.15/.006	.X' ±
				.XXX ± 0.10/.004	.XX' ±
DRAWING NO.	CI9901SD	PART NO.	CI99**M2HRO-NH		
SCALE	4 / 1	SHEET	1 OF 2		

XI BANG 东莞市溪榜电子有限公司
Switch Connector DONG GUAN XI BANG ELECTRONICS CO., LTD.



- NOTE :
- ④ * Reel Material : HIPS
 - * Carrier Material : Black, Conductive Polystyrene Alloy
 - * Cover Tape Material : Polyester
 - * Cover Tape Peel Strength : 0.1N – 1.3N
 - * Carrier camber is within 1mm in 100mm
 - ④ * All dimensions meet EIA-481 requirements.
 - * Quantity : 1800 PCS/Reel

④ Circuits	Dimension					Packing (Reel/Carton)
	E	F	W1	W2	W3	
06, 07	32.0(1.260)	28.40(1.118)	32.5(1.280)	38.5(1.516)	32.5(1.280)	7
08, 09, 10	44.0(1.732)	40.40(1.596)	44.5(1.752)	50.5(1.988)	44.5(1.752)	5



WIDTH : 32.44 mm Carrier

RoHS Compliant

④	Jack	12/22-23'	ECNT123179/ECRB123029		DATE	UNIT: mm / inch	TITLE:
③	Clark	12/09-15	ECNT115263	DRAWN BY:	Jack	12/22-23'	TOLERANCE UNLESS OTHERWISE SPECIFIED
②	Karen	12/25-14'	ECNT114252/ECRT114090	ENGINEER:	Clark	12/09-23'	
①	Clark	05/06-14	ECNT114087	CHECKED BY:	Eisley	12/14-23'	FINISH:
SYM	NAME	DATE	REVISIONS	APPROVED BY:	Eisley	12/14-23'	

.X ± 0.25/.010	X' ± r'
.XX ± 0.15/.006	.X' ±
.XXX ± 0.08/.003	.XX' ±

东莞市溪榜电子有限公司 DONG GUAN XI BANG ELECTRONICS CO., LTD.			
DRAWING NO.	CI9901SD	PART NO.	CI99**M2HR0-NH
SCALE		SHEET	2 OF 2