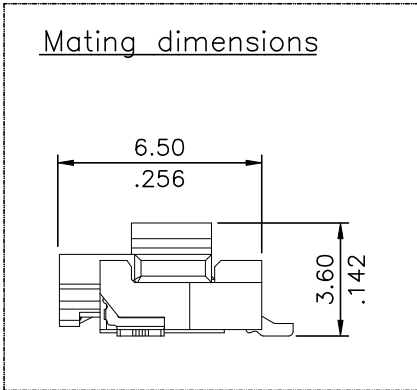


Recommended P.C. Board Layout



Material :

- \* Base & Pad:  
High Temperature Plastic UL 94V-0  
Color Black (Halogen-Free)
- \* Contact : Copper Alloy
- \* Tab : Copper Alloy

Ordering Code:

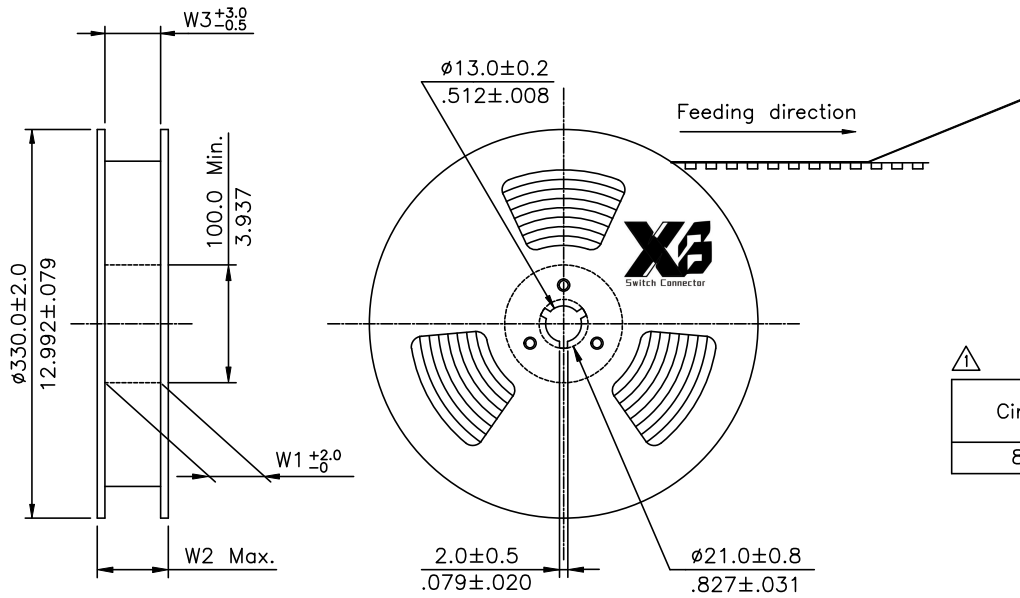
C187 \*\* M 2 V R 0 -NH  
① ② ③ ④ ⑤ ⑥ ⑦ ⑧

- ① Series No.
- △② No. of Circuits: 8, 10 Pin
- ③ M= SMT Type
- ④ Plating: 2= 0.03μm(1.2μ") Min. Gold Flash Plating on Contact area and Solder tails, 1.27μm(50μ") Nickel Underplating over all
- ⑤ Type: V= Vertical
- ⑥ Packing Options: R= Tape & Reel packing
- ⑦ Option: 0= Standard
- ⑧ Other option:  
-NH= For Lead Free IR Processes and Halogen-Free

Circuits	Dimension		
	A	B	C
8	10.50(.413)	16.5(.650)	12.90(.508)
10	13.50(.531)	19.5(.768)	15.90(.626)

Halogen-Free	Lead Free Process	RoHS Compliant
--------------	-------------------	----------------

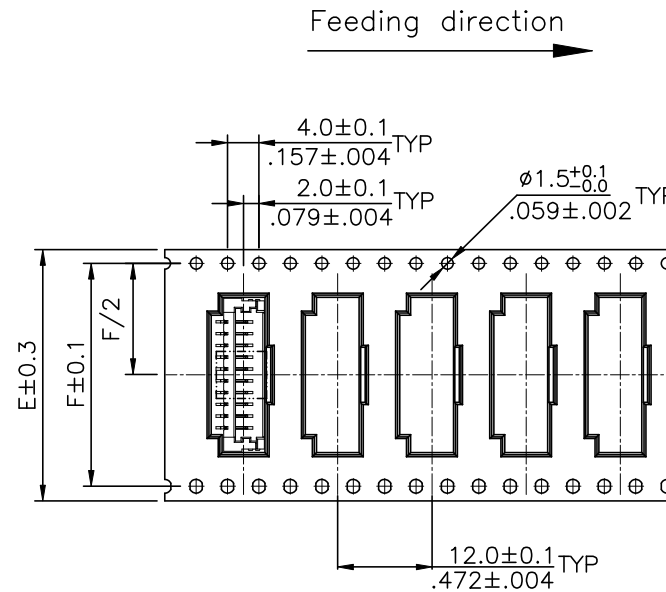
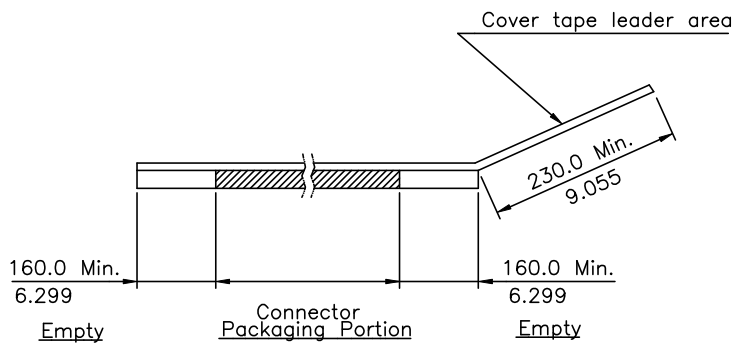
④					DATE	UNIT: mm / inch	TITLE:		
③					12/22-23'	TOLERANCE UNLESS OTHERWISE SPECIFIED	C187 Series Header		
②	Jack	12/22-23'	ECNT123179/ECRB123029	ENGINEER:	12/22-23'	.X ± 0.30/.012	MATERIAL:	DONG GUAN XI BANG ELECTRONI CS CO., LTD.	
①	Sun	5/21-18'	ECNT118109	CHECKED BY:	12/22-23'	.XX ± 0.20/.008			FINISH:
SYM	NAME	DATE	REVISIONS	APPROVED BY:	12/22-23'	.XXX ± 0.10/.004			
								PART NO.	C187**M2VR0-NH
								SHEET	1 OF 2



NOTE :

- △ \* Reel Material : HIPS
- \* Carrier Material : Clear, Conductive Polystyrene Alloy
- \* Cover Tape Material : Polyester
- \* Cover Tape Peel Strength : 0.1N – 1.3N
- \* Carrier camber is within 1mm in 100mm
- △ \* All dimensions meet EIA-481 requirements.
- \* Quantity : 1200 PCS/Reel

Circuits	Dimension					Packing (Reel/Carton)
	E	F	W1	W2	W3	
8,10	32.0(1.260)	28.40(1.118)	32.5(1.280)	38.5(1.516)	32.5(1.280)	7



RoHS Compliant

SYM	NAME	DATE	REVISIONS	APPROVED BY:	Eisley	12/22-23'	UNIT: mm / inch	TITLE:	C187 Series Header			
4							TOLERANCE UNLESS OTHERWISE SPECIFIED	MATERIAL:	<b>东莞市溪榜电子有限公司</b> DONG GUAN XI BANG ELECTRONI CS CO., LTD.			
3												
2	Jack	12/22-23'	ECNT123179/ECRB123029	ENGINEER:	Sun	12/22-23'	.X ± 0.30/.012	.X* ±	DRAWING NO.	C18701SC	PART NO.	C187**M2VRO-NH
1	Sun	5/21-18'	ECNT118109	CHECKED BY:	Eisley	12/22-23'	.XX ± 0.20/.008	.X* ±	SCALE		SHEET	2 OF 2
				APPROVED BY:	Eisley	12/22-23'	.XXX ± 0.10/.004	.XX* ±				