

Note:

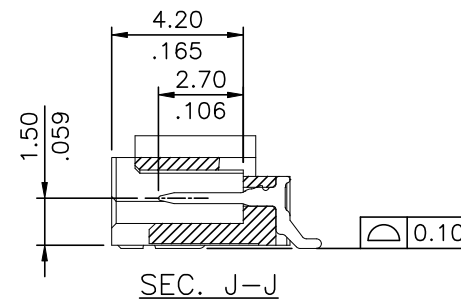
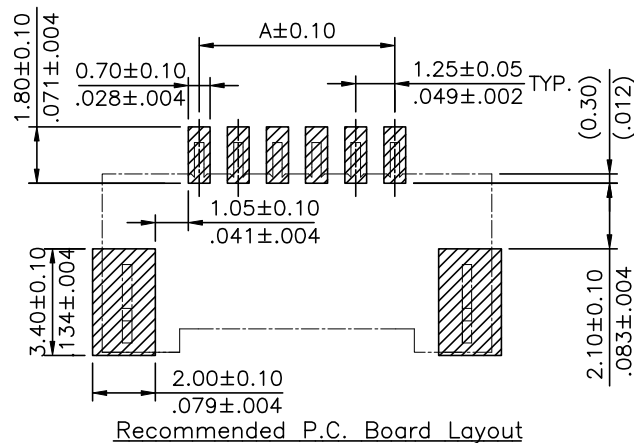
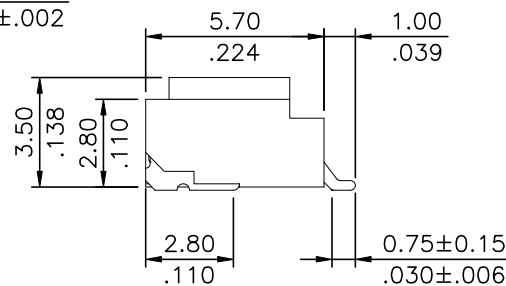
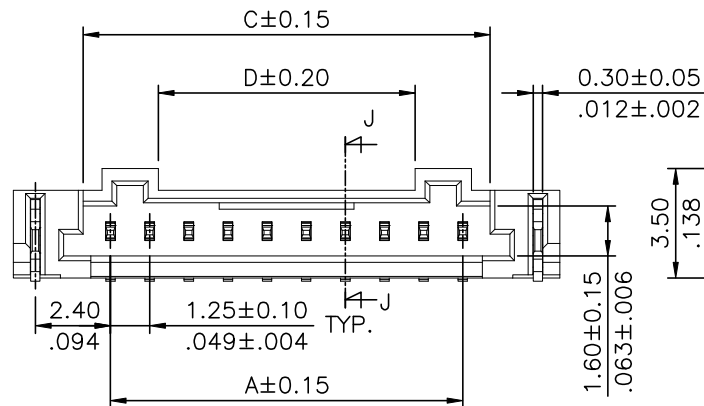
Material :

- \* Base : High Temperature plastic UL 94V-0 Black Color
  - \* Contact : Copper alloy
  - \* Fixed tab : Matte Tin plated over Nickel
- For Lead Free IR Reflow Process

Ordering Code:

CI46 \*\* M 1 H R B -NH  
 ① ② ③ ④ ⑤ ⑥ ⑦ ⑧

- ① Series No.
- ② No. of Circuits: 08~15 Pin
- ③ M= SMT Type
- ④ Plating: 1= Matte Tin over Nickel
- ⑤ Type: H= Side Entry
- ⑥ Packing Options: R= Tape & Reel packing
- ⑦ Option: B= TYPE B (Black color)
- ⑧ Other option:  
-NH= For Lead Free IR Processes and Halogen-Free



Dim.A = 1.25 x No. of Spaces  
 Dim.B = Dim.A + 6.20  
 Dim.C = Dim.A + 1.75  
 Dim.D = Dim.A - 3.05

\* Available in 8 through 15 circuits

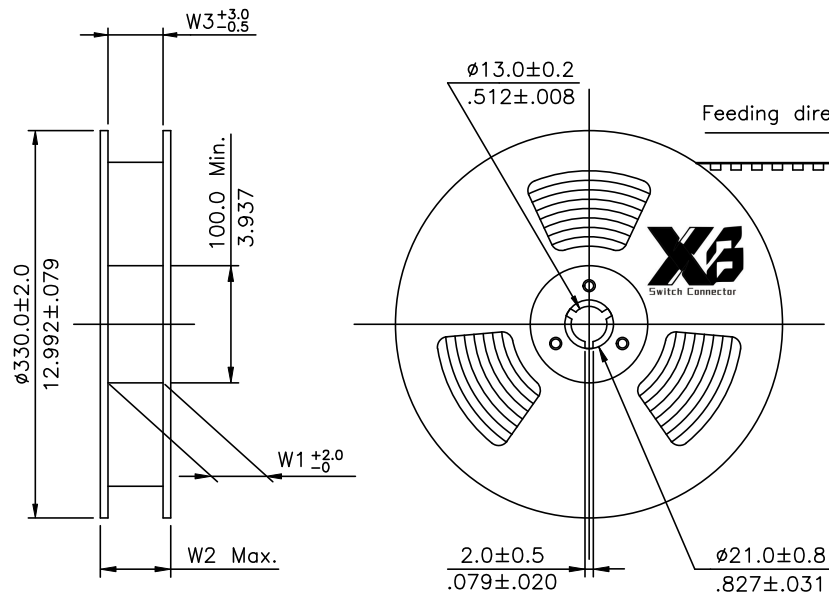
Circuits	Dimension
	E
08~12	4.30(.169)
13~15	7.20(.283)

Halogen-Free

Lead Free Process

RoHS Compliant

④					DATE	UNIT: mm / inch	TITLE: 1.25mm Pitch WTB SMT R/A TYPE	<b>东莞市溪榜电子有限公司</b> DONG GUAN XI BANG ELECTRONICS CO., LTD.	
③				DRAWN BY: Jessie	10/16-23'	TOLERANCE UNLESS OTHERWISE SPECIFIED	MATERIAL:		
②	Jessie	10/11-23'	ECNT123179/ECRB123029	ENGINEER: Sun	10/16-23'	.X ± 0.30/.012 X* ± 1*	CUSTOMER:		
①	Clark	06/22-16	ECNT116134	CHECKED BY: Eisle	10/16-23'	.XX ± 0.20/.008 .X* ±			
SYM	NAME	DATE	REVISIONS	APPROVED BY: Eisle	10/16-23'	.XXX ± 0.10/.004 .XX ±	DRAWING NO. CI4615SB	PART NO. CI46**M1HRB-NH	
								SCALE 4 / 1	SHEET 1 OF 2

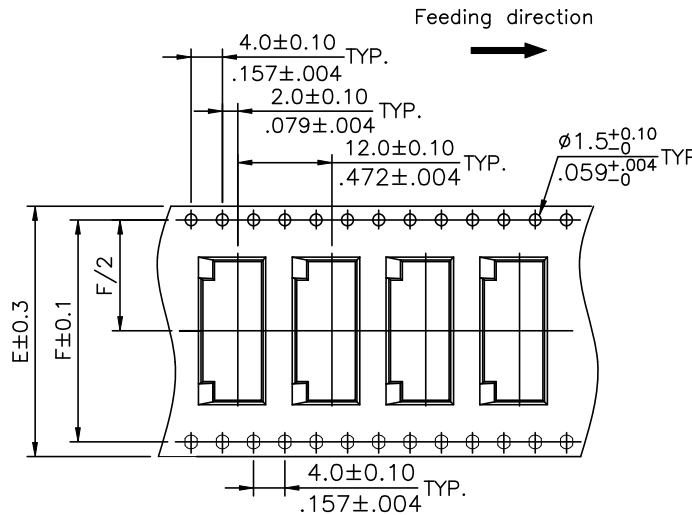
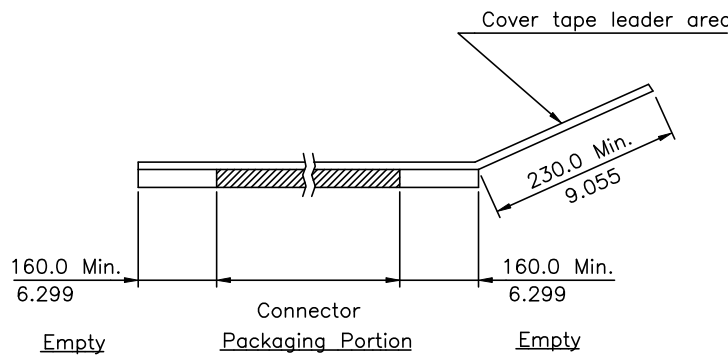


NOTE :

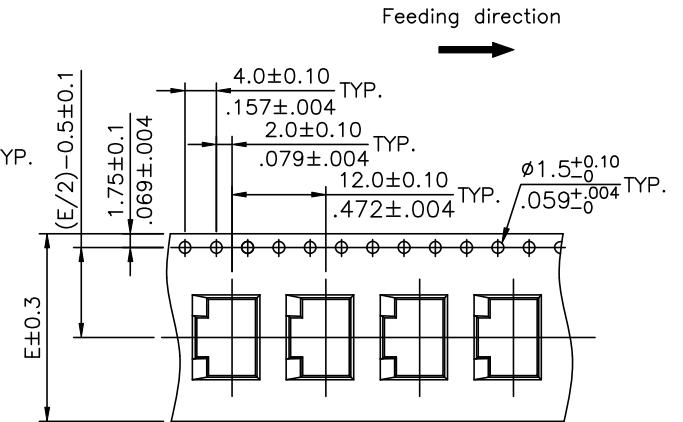
- \* Reel Material : HIPS
- \* Carrier Material : Black, Polystyrene alloy
- \* Cover Tape Material : Polyester
- \* Cover Tape Peel Strength : 0.1N – 1.3N
- \* Carrier camber is within 1mm in 100mm
- \* All dimensions meet EIA-481 & EIA-481 requirements.
- \* Quantity : 1400 PCS/Reel

Circuits	Dimension					Packing (Reel/Carton)
	E	F	W1	W2	W3	
8-9	24.0(.945)	-	24.5(.965)	30.5(1.201)	24.5(.965)	9
10-12	32.0(1.260)	28.40(1.118)	32.5(1.280)	38.5(1.516)	32.5(1.280)	7
13-15	44.0(1.732)	40.40(1.591)	44.5(1.752)	50.5(1.988)	44.5(1.752)	5

The reel package material is only available for 2~15p,18p&20p.



WIDTH : 32,44 mm Carrier



WIDTH : 24 mm Carrier

RoHS Compliant

SYM	NAME	DATE	REVISIONS	APPROVED BY:	DATE	UNIT: mm / inch	TITLE: 1.25mm Pitch WT8 SMT R/A TYPE	DRAWING NO. CI4615SB PART NO. CI46**M1HRB-NH		
4								SCALE SHEET 2 OF 2		
3								SHEET 2 OF 2		
2	Jessie	10/11-23'	ECNT123179/ECRB123029	ENGINEER:	Sun	10/16-23'	TOLERANCE UNLESS OTHERWISE SPECIFIED	DRAWING NO. CI4615SB PART NO. CI46**M1HRB-NH		
1	Clark	06/22-16	ECNT116134	CHECKED BY:	Eisley	10/16-23'		CUSTOMER:		
				APPROVED BY:	Eisley	10/16-23'				



东莞市溪榜电子有限公司  
DONG GUAN XI BANG ELECTRONICS CO., LTD.