

NOTE:

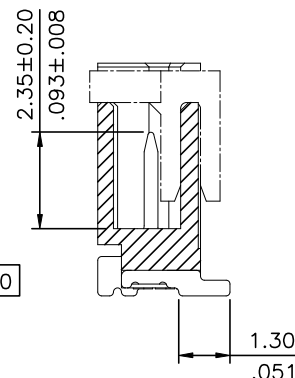
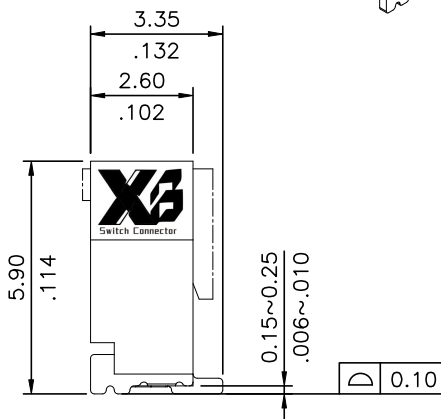
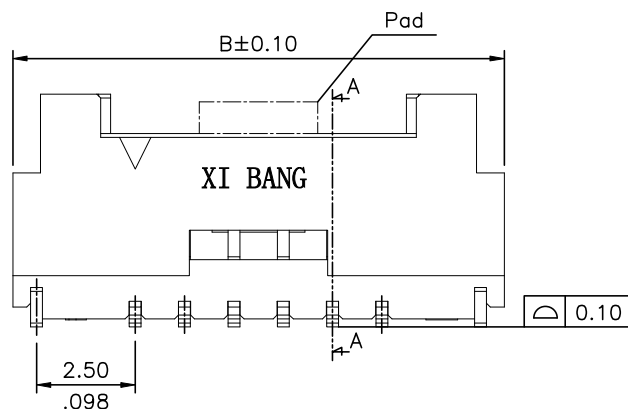
Material :

- * Base : High Temperature plastic UL 94V-0, Color Nature
- * Contact : Copper alloy
- * Fixed tab : Matte Tin plated over Nickel

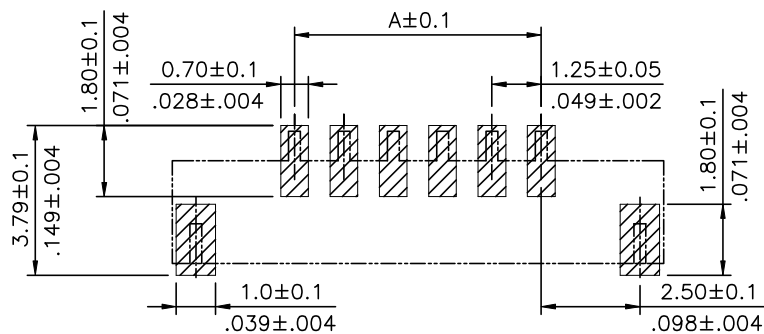
ORDERING CODE

CI46 ** M 1 V * 0 -NH
 ① ② ③ ④ ⑤ ⑥ ⑦ ⑧

- ① Series No.
- ② Contact: 02 to 20
- ③ M= SMT TYPE HEADER
- ④ Plating :
 1= Matte Tin plated over Nickel
 2= Gold flash over 50u" Nickel
- ⑤ Type : V= Top entry
- ⑥ Packing option:
 R= Tape & Reel Packing
- ⑦ Other option:
 0= Standard
- ⑧ -NH= For Lead Free IR Processes and Halogen-Free



SEC. A-A



Recommended P.C. Board Layout

DIM. A = 1.25 x NO. OF SPACES
 DIM. B = DIM. A + 6.20
 DIM. C = DIM. A + 1.75
 * AVAILABLE IN 2 THROUGH 20

Halogen-Free

Lead Free Process

RoHS Compliant

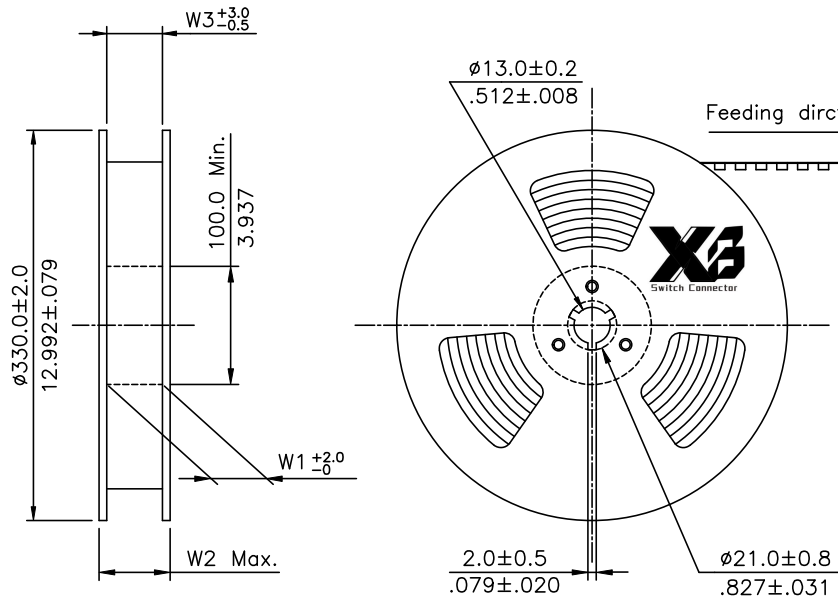
④					DATE	UNIT: mm / inch	TITLE: 1.25mm Pitch WTB SMT V TYPE
③	Jack	12/25-23'	ECNT123179/ECRB123029	DRAWN BY: Jack	12/25-23'	TOLERANCE UNLESS OTHERWISE SPECIFIED	MATERIAL:
②	Sun	6/10-21'	ECNT121139/ECRH121018	ENGINEER: Sun	12/25-23'		
①	Sun	1/19-18'	ECNT118031	CHECKED BY: Eisley	12/25-23'	.XX ± 0.20/.008 .X' ±	FINISH:
SYM	NAME	DATE	REVISIONS	APPROVED BY: Eisley	12/25-23'	.XXX ± 0.10/.004 .XX' ±	
DRAWING NO. CI4609SD PART NO. CI46**M1VR0-NH							
SCALE 5 / 1 SHEET 1 OF 2							



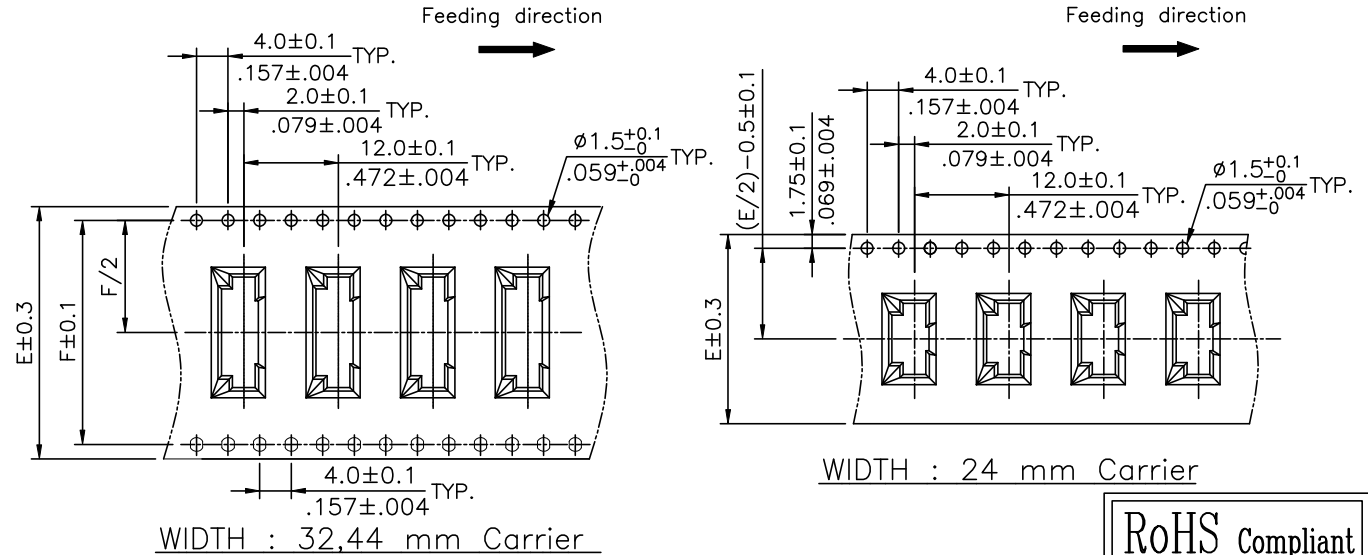
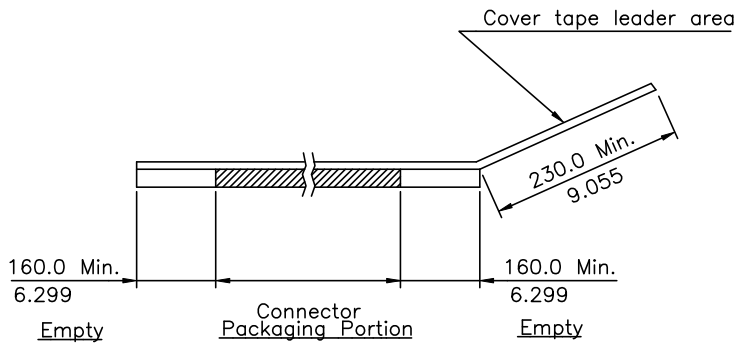
东莞市溪榜电子有限公司
 DONG GUAN XI BANG ELECTRONI CS CO., LTD.

NOTE :

- △ △ * Reel Material : HIPS
- △ * Carrier Material : Transparent, Polystyrene alloy
- * Cover Tape Material : Polyester
- * Cover Tape Peel Strength : 0.1N – 1.3N
- * Carrier camber is within 1mm in 100mm
- △ * All dimensions meet EIA-481 requirements.
- * Quantity : 850 PCS/Reel



Circuits	Dimension					Packing (Reel/Carton)
	E	F	W1	W2	W3	
2-8	24.0(.945)	-	24.5(.965)	30.5(1.201)	24.5(.965)	9
9-12	32.0(1.260)	28.40(1.118)	32.5(1.280)	38.5(1.516)	32.5(1.280)	7
13-20	44.0(1.732)	40.40(1.591)	44.5(1.752)	50.5(1.988)	44.5(1.752)	5



RoHS Compliant

SYM	NAME	DATE	REVISIONS	APPROVED BY:	DATE	UNIT: mm / inch	TOLERANCE UNLESS OTHERWISE SPECIFIED	TITLE: 1.25mm Pitch WTB SMT V TYPE
△4								
△3	Jack	12/25-23'	ECNT123179/ECRB123029	DRAWN BY: Jack	12/25-23'			MATERIAL:
△2	Sun	6/10-21'	ECNT121139/ECRH121018	ENGINEER: Sun	12/25-23'	.X ±	.X' ± 1'	
△1	Sun	1/19-18'	ECNT118031	CHECKED BY: Eisley	12/25-23'	.XX ±	.X' ±	FINISH:
				APPROVED BY: Eisley	12/25-23'	.XXX ±	.XX' ±	

东莞市溪榜电子有限公司
DONG GUAN XI BANG ELECTRONICS CO., LTD.

DRAWING NO.	C14609SD	PART NO.	C146**M1VR0-NH
SCALE		SHEET	2 OF 2