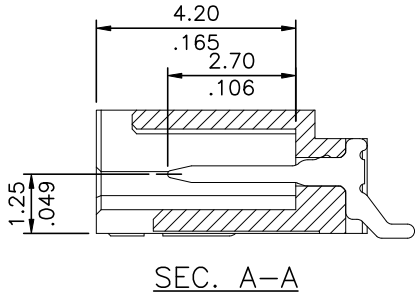
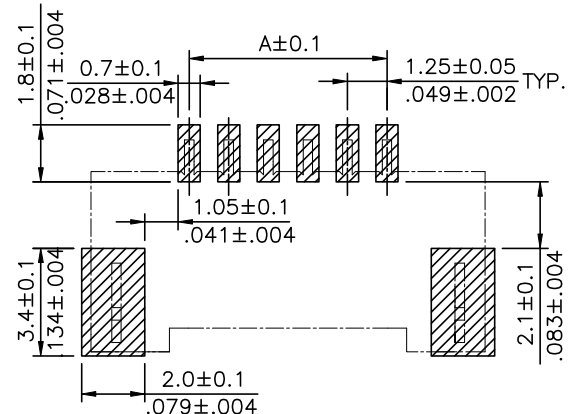
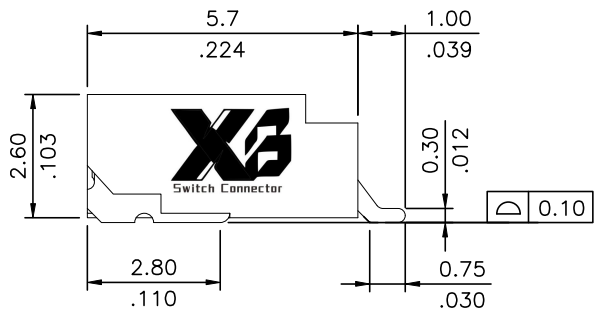
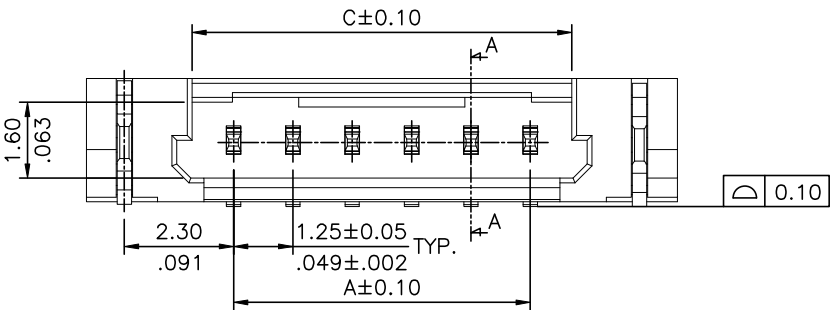


NOTE:  
 Material :  
 \* Base : High Temperature plastic UL 94V-0  
 \* Contact : Copper alloy  
 \* Fixed tab : Matte Tin plated over Nickel  
 For Lead Free IR Reflow Process

ORDERING CODE

CI46 \*\* M 1 H \* 0 -NH  
 ① ② ③ ④ ⑤ ⑥ ⑦ ⑧

- ① Series No.
- △ ② Contact: 02 to 20
- ③ M= SMT TYPE HEADER
- ④ Plating :  
1= Matte Tin plated over Nickel
- ⑤ Type : H= Side entry
- ⑥ Packing option:  
R= Tape & Reel Packing
- ⑦ Other option:  
0= Standard
- ⑧ -NH= For Lead Free IR Process and Halogen-Free



DIM. A = 1.25 x NO. OF SPACES  
 DIM. B = DIM. A + 6.20  
 DIM. C = DIM. A + 1.75  
 \* AVAILABLE IN 2 THROUGH 20

Halogen-Free  
 Lead Free Process  
 RoHS Compliant

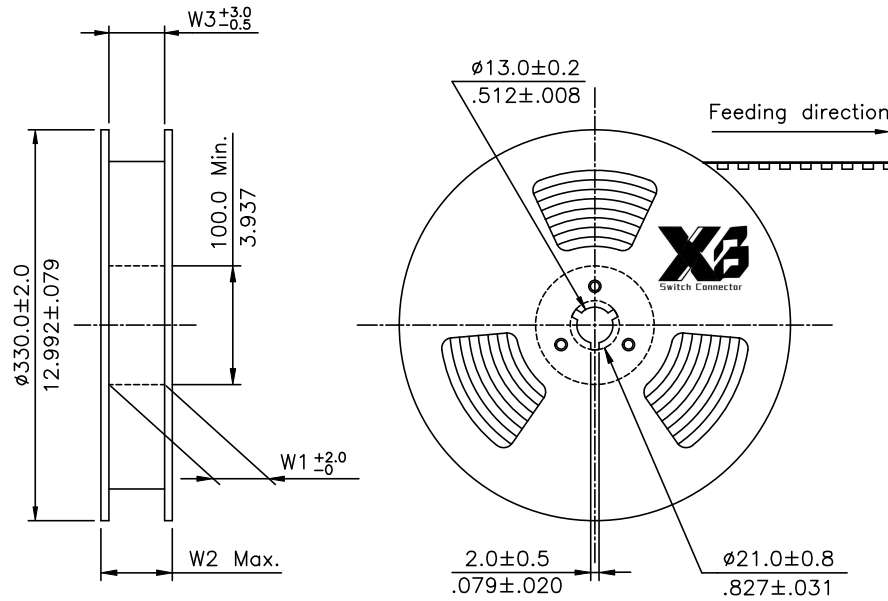
Recommended P.C. Board Layout

⑤	Jack	12/22-23'	ECNT123179/ECRB123029		DATE	UNIT: mm / inch	TITLE: 1.25mm Pitch WTB SMT R/A TYPE
④	Enya	10/29-13'	ECNT113100/ECRH113003	DRAWN BY: Jack	12/22-23'	TOLERANCE UNLESS OTHERWISE SPECIFIED .X ± 0.30/.012 X* ± 1" .XX ± 0.20/.008 .X* ± .XXX ± 0.10/.004 .XX* ±	MATERIAL:  FINISH:
③	Enya	7/17-13'	ECN13177-0/ECR13013-2	ENGINEER: Sun	12/22-23'		
②	Enya	8/30-12'	ECR12043-2/ECN12209-0	CHECKED BY: Eisley	12/22-23'		
SYM	NAME	DATE	REVISIONS	APPROVED BY: Eisley	12/22-23'		

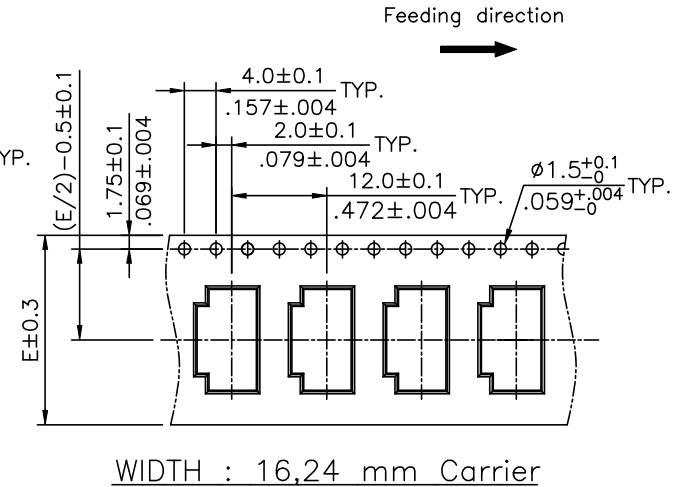
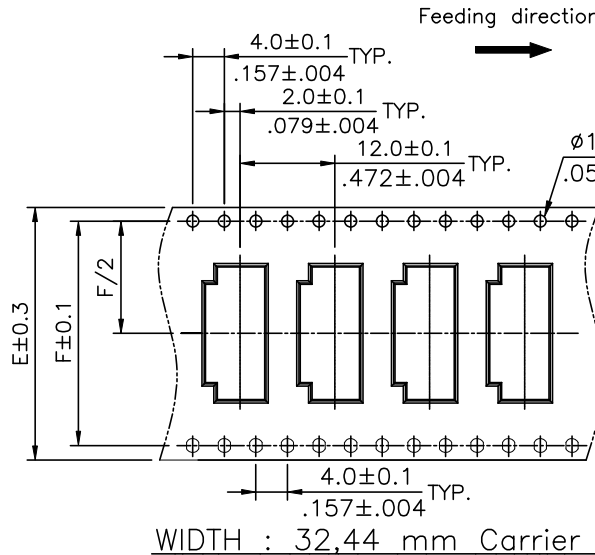
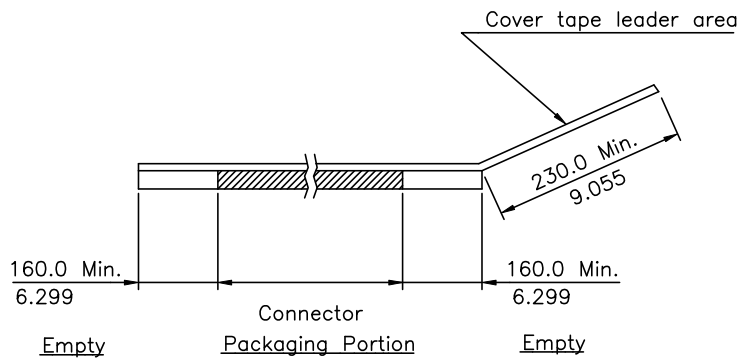


DRAWING NO.	CI4603SF	PART NO.	CI46**M1H*0-NH
SCALE	6 / 1	SHEET	1 OF 2

- NOTE :
- ⑤ \* Reel Material : HIPS
  - ② \* Carrier Material : Black, Polystyrene alloy
  - \* Cover Tape Material : Polyester
  - \* Cover Tape Peel Strength : 0.1N – 1.3N
  - \* Carrier camber is within 1mm in 100mm
  - ⑤ \* All dimensions meet EIA-481 requirements.
  - \* Quantity : 1700 PCS/Reel



Circuits	Dimension					Packing (Reel/Carton)
	E	F	W1	W2	W3	
2	16.0(.630)	—	16.5(.650)	22.5(.886)	16.5(.650)	11
3-9	24.0(.945)	—	24.5(.965)	30.5(1.201)	24.5(.965)	9
10-12	32.0(1.260)	28.40(1.118)	32.5(1.280)	38.5(1.516)	32.5(1.280)	7
13-20	44.0(1.732)	40.40(1.591)	44.5(1.752)	50.5(1.988)	44.5(1.752)	5



RoHS Compliant

⑤	Jack	12/22-23'	ECNT123179/ECRB123029		DATE	UNIT: mm / inch	TITLE: 1.25mm Pitch WTB SMT R/A TYPE	
④	Enya	10/29-13	ECNT113100/ECRH113003	DRAWN BY:	Jack	TOLERANCE UNLESS OTHERWISE SPECIFIED	MATERIAL:	
③	Enya	7/17-13'	ECN13177-0/ECR13013-2	ENGINEER:	Sun			.X ±
②	Enya	8/30-12'	ECR12043-2/ECN12209-0	CHECKED BY:	Eisley	.XX ±	.X' ±	
SYM	NAME	DATE	REVISIONS	APPROVED BY:	Eisley	.XXX ±	.XX' ±	
DRAWING NO. CI4603SF								PART NO. CI46**M1H*0-NH
SCALE								SHEET 2 OF 2

**XB** 东莞市溪榜电子有限公司  
Switch Connector DONG GUAN XI BANG ELECTRONICS CO., LTD.