

ORDERING CODE:

CI44 ** M 1 V 00
 ① ② ③ ④ ⑤ ⑥

- ① SERIES NO.:
- ② NO. OF CIRCUITS: 02 TO 15
- ③ M= SMT TYPE HEADER
- ④ PLATING OPTION:
1= Tin over Nickel plated
- ⑤ TAIL STYLE: V= STRAIGHT
- ⑥ OPTION: 00= STANDARD(TUBE PACKING)
R0= TAPE & REEL PACKING

Note:

* Material :

Insulation:

Nylon 46+40% G.F UL 94V-0

Color Nature(Ivory)

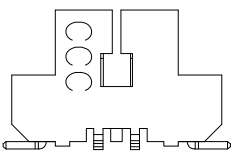
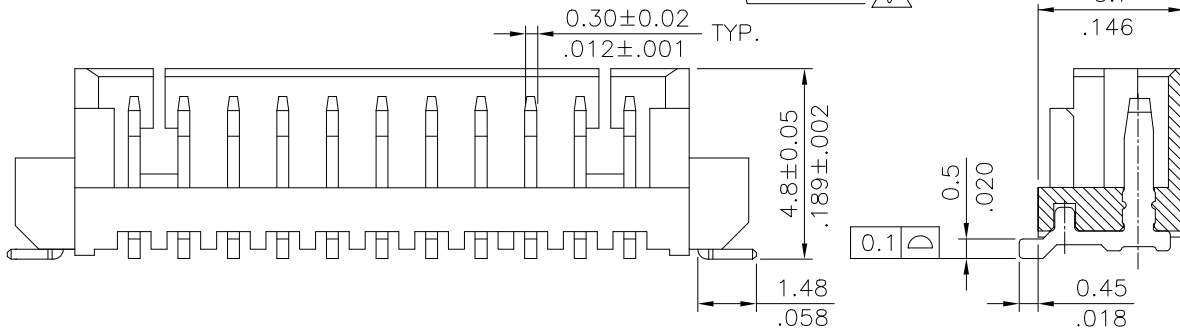
Contact : Phosphor Bronze

Fixed Tab : Brass with Tin Plated

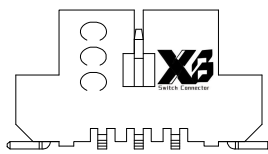
* Recommended mating part:

Housing : CI44**S0000

Terminal : CI44T011PPO



FOR 2 Circuits



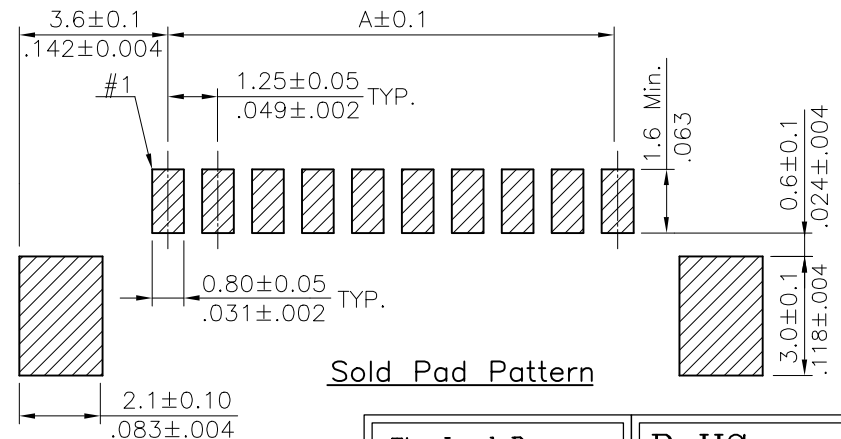
FOR 3 Circuits

A = 1.25 x No. of Spaces

B = A + 6.1

C = A + 1.9

* Available in 2 through 15 circuits



Sold Pad Pattern

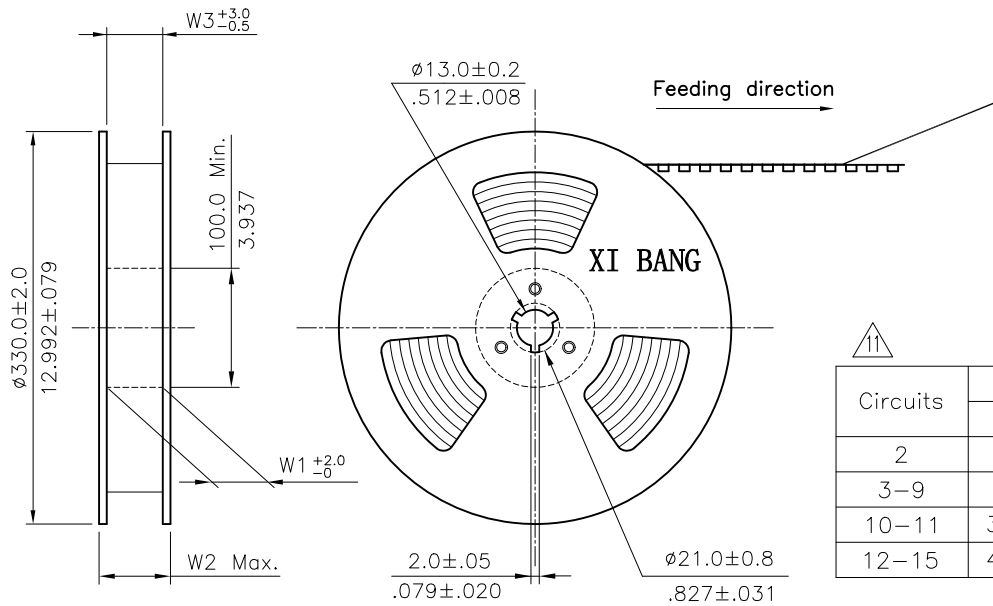
Tin-Lead Process

RoHS Compliant

⑫	Karen	12/09-14'	ECNT114252/ECRT114090		DATE	UNIT: mm / inch	TITLE: 1.25MM(.049") STRAIGHT SMT TYPE HEADER
⑪	Enya	7/26-12'	ECN12176-0 /ECR12061-1	DRAWN BY:	Karen	12/25-14'	MATERIAL: FINISH:
⑩	Karen	4/13-11'	ECN11071/ECR11010-1	ENGINEER:	Sun	12/26-14'	
⑨	Tim	11/09-10'	ECR10145-0/ECN10364	CHECKED BY:	Eisley	12/29-14'	
SYM	NAME	DATE	REVISIONS	APPROVED BY:	Eisley	12/29-14'	

东莞市溪榜电子有限公司
 DONG GUAN XI BANG ELECTRONI CS CO., LTD.

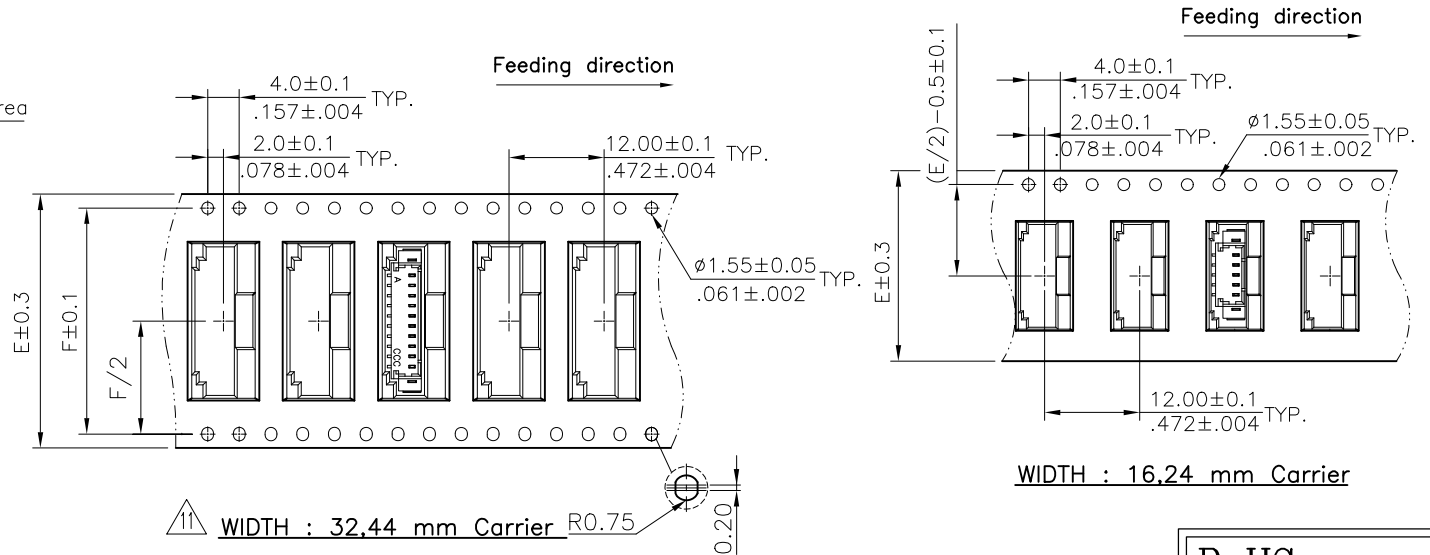
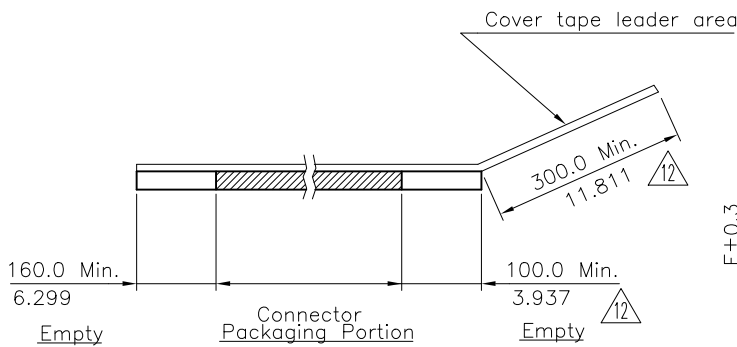
DRAWING NO.	CI4406SR	PART NO.	CI44**M1V**
SCALE	5 / 1	SHEET	1 OF 2



NOTE :

- * Reel Material : CORRUGATED PAPER
- * Carrier Material : Clear, Conductive Polystyrene Alloy
- * Cover Tape Material : Polyester
- * Cover Tape Peel Strength : 0.1N – 1.3N
- * Carrier camber is within 1mm in 100mm
- * All dimensions meet EIA-481-2 & EIA-481-3 requirements.
- * Quantity : 1000 PCS/Reel

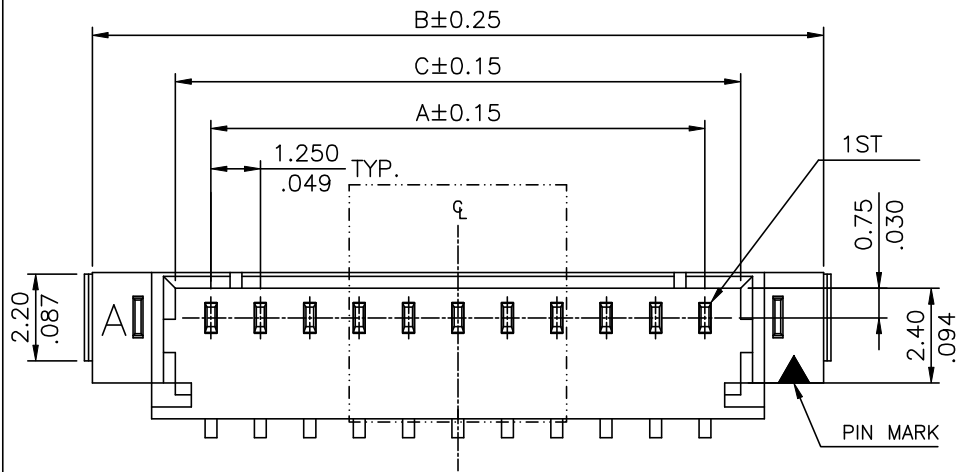
Circuits	Dimension					Packing (Reel/Caton)
	E	F	W1	W2	W3	
2	16.0(.630)	---	16.5(.650)	22.5(.886)	16.5(.650)	11
3-9	24.0(.945)	---	24.5(.965)	30.5(1.201)	24.5(.965)	9
10-11	32.0(1.260)	28.40(1.118)	32.5(1.280)	38.5(1.516)	32.5(1.280)	7
12-15	44.0(1.732)	40.40(1.591)	44.5(1.752)	50.5(1.988)	44.5(1.752)	5



RoHS Compliant

SYM	NAME	DATE	REVISIONS	APPROVED BY:	DATE	UNIT: mm / inch	TITLE: 1.25MM(.049") STRAIGHT SMT TYPE HEADER	MATERIAL:	FINISH:	DRAWING NO. CI4406SR	PART NO. CI44**M1V**	SHEET 2 OF 2
12	Karen	12/09-14'	ECNT114252/ECRT114090									
11	Enya	7/26-12'	ECN12176-0 /ECR12061-1	DRAWN BY: Karen	12/25-14'							
10	Karen	4/13-11'	ECN11071/ECR11010-1	ENGINEER: Sun	12/26-14'							
9	Tim	11/09-10	ECR10145-0/ECN10364	CHECKED BY: Eisley	12/29-14'							
				APPROVED BY: Eisley	12/29-14'							

东莞市溪榜电子有限公司
DONG GUAN XI BANG ELECTRONICS CO., LTD.



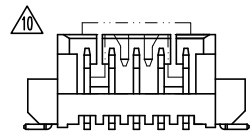
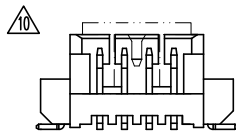
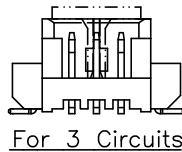
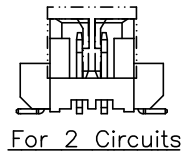
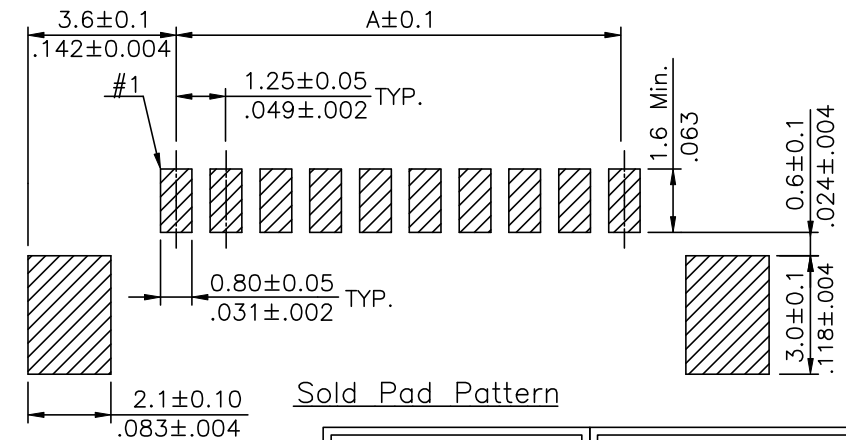
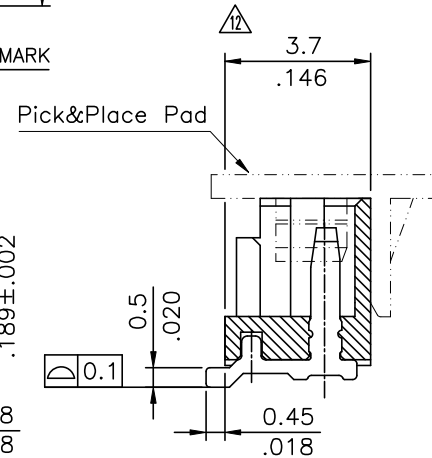
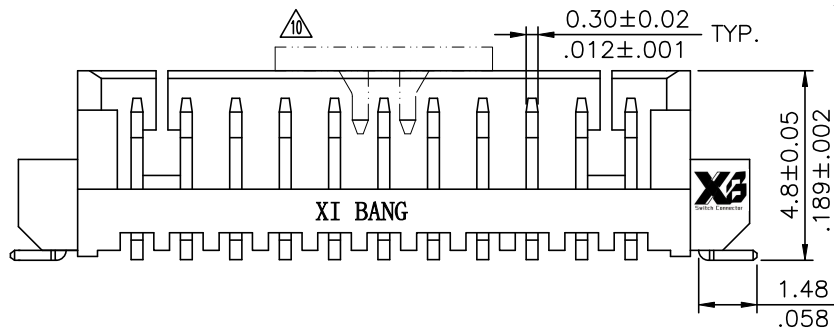
Note:

- * Insulation:
Nylon 46+40% G.F UL 94V-0, Color Nature(Ivory)
- * Contact : Phosphor Bronze with Tin Plated
- * Fixed Tab : Brass With Tin Plated
- * For Tin-Lead IR reflow process

ORDERING CODE:

CI44 ** M 1 V RP
① ② ③ ④ ⑤ ⑥

- ① SERIES NO.:
- ② NO. OF CIRCUITS: 02 TO 15
- ③ M= SMT TYPE HEADER
- ④ PLATING OPTION:
1= Tin OVER NICKEL PLATED
- ⑤ TAIL STYLE: V= STRAIGHT
- ⑥ OPTION:
RP= TAPE & REEL PACKING & PLACE PAD



A = 1.25 x No. of Spaces
B = A + 6.1
C = A + 1.9

* Available in 2 through 15 circuits

Tin-Lead Process

RoHS Compliant

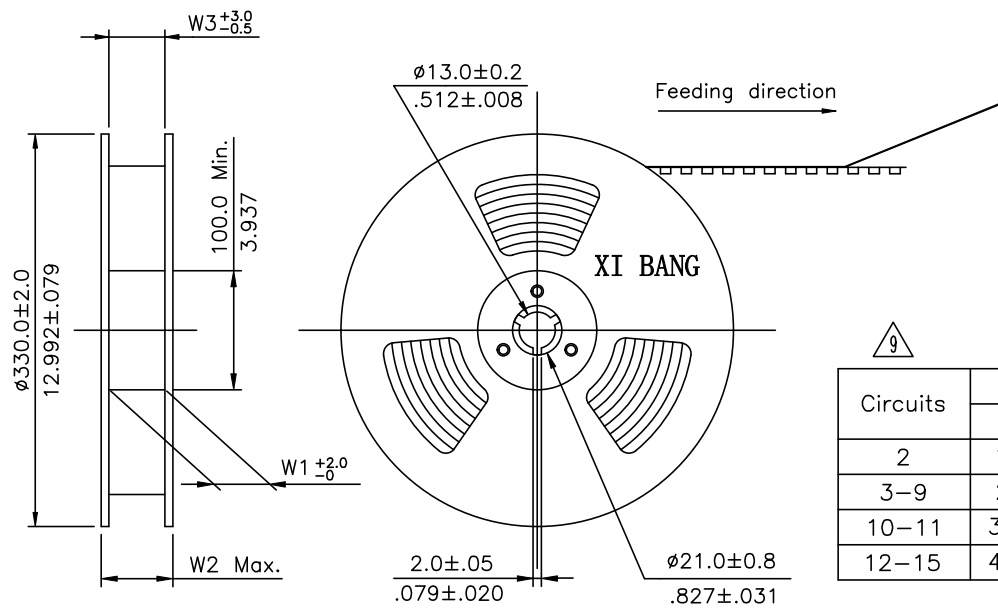
13	Jack	12/25-23'	ECNT123179/ECRB123029		DATE	UNIT: mm / inch	TITLE: 1.25MM(.049") STRAIGHT SMT TYPE HEADER
12	Sandy	3/28-16'	ECNT116062	DRAWN BY: Jack	12/25-23'	TOLERANCE UNLESS OTHERWISE SPECIFIED .X ± 0.25/.010 X.' ± 1' .XX ± 0.15/.006 .X' ± .XXX ± 0.08/.003 .XX ±	MATERIAL: FINISH:
11	Karen	12/11-14'	ECNT114252/ECRT114090	ENGINEER: Sun	12/25-23'		
10	Sun	4/25-14'	ECRB114014/ECNT114071	CHECKED BY: Eisley	12/25-23'		
SYM	NAME	DATE	REVISIONS	APPROVED BY: Eisley	12/25-23'		

东莞市溪榜电子有限公司
DONG GUAN XI BANG ELECTRONI CS CO., LTD.

Switch Connector

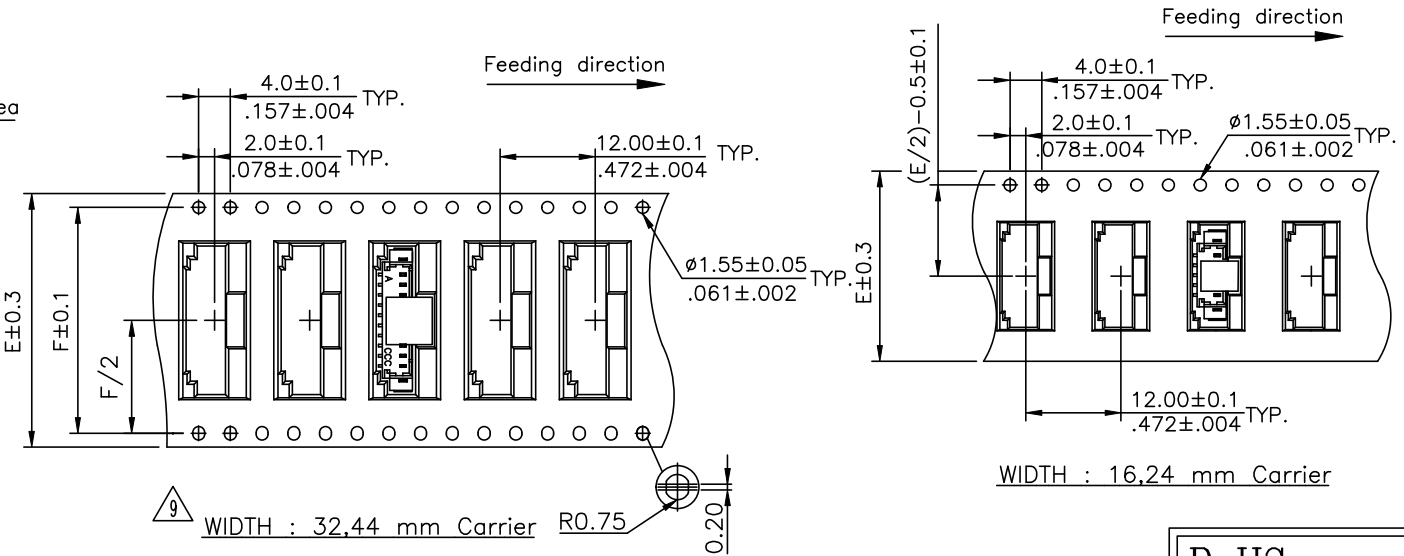
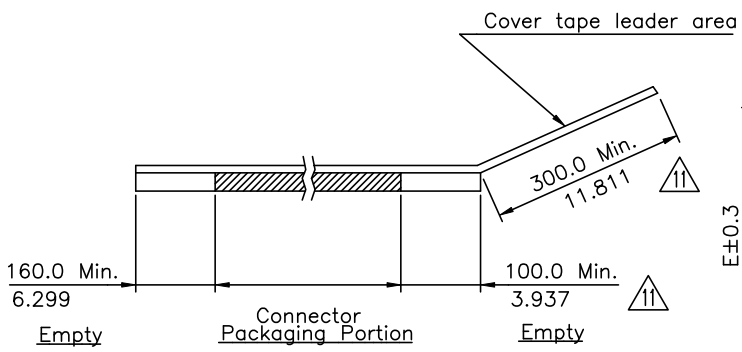
DRAWING NO. CI4415SN PART NO. CI44**M1VRP

SCALE 5 / 1 SHEET 1 OF 2



- NOTE :
- △13 * Reel Material : HIPS
 - * Carrier Material : Clear, Conductive Polystyrene Alloy
 - * Cover Tape Material : Polyester
 - * Cover Tape Peel Strength : 0.1N – 1.3N
 - * Carrier camber is within 1mm in 100mm
 - △13 * All dimensions meet EIA-481 requirements.
 - * Quantity : 1000 PCS/Reel

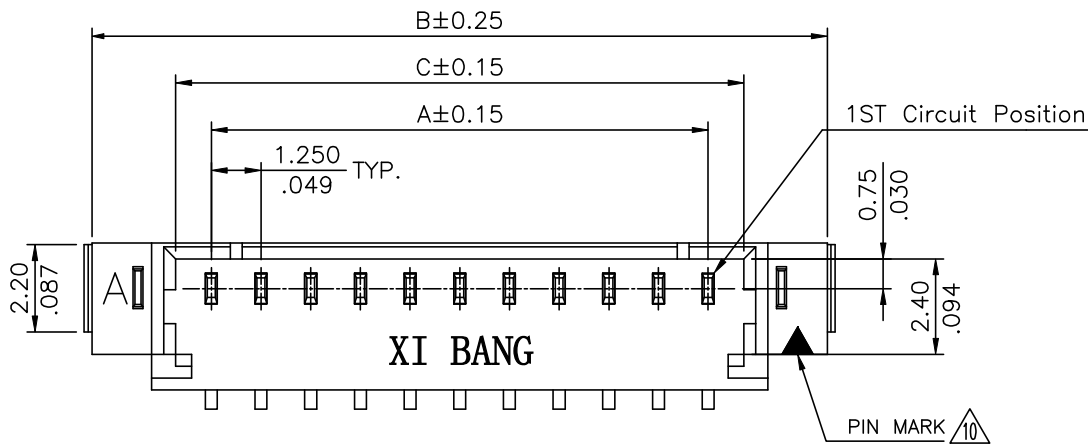
Circuits	Dimension					Packing (Reel/Carton)
	E	F	W1	W2	W3	
2	16.0(.630)	---	16.5(.650)	22.5(.886)	16.5(.650)	11
3-9	24.0(.945)	---	24.5(.965)	30.5(1.201)	24.5(.965)	9
10-11	32.0(1.260)	28.40(1.118)	32.5(1.280)	38.5(1.516)	32.5(1.280)	7
12-15	44.0(1.732)	40.40(1.591)	44.5(1.752)	50.5(1.988)	44.5(1.752)	5



RoHS Compliant

SYM	NAME	DATE	REVISIONS	APPROVED BY:	Eisley	12/25-23'	UNIT: mm / inch	TITLE: 1.25MM(.049") STRAIGHT SMT TYPE HEADER	MATERIAL:	FINISH:	DRAWING NO.	CI4415SN	PART NO.	CI44**M1VRP	SCALE	SHEET 2 OF 2
△13	Jack	12/25-23'	ECNT123179/ECRB123029													
△12	Sandy	3/24-16'	ECNT116062	DRAWN BY:	Jack	12/25-23'	TOLERANCE UNLESS OTHERWISE SPECIFIED									
△11	Karen	12/11-14'	ECNT114252/ECRT114090	ENGINEER:	Sun	12/25-23'	.X ±	X' ± 1'								
△10	Sun	4/25-14'	ECRB114014/ECNT114071	CHECKED BY:	Eisley	12/25-23'	.XX ±	.X' ±								
				APPROVED BY:	Eisley	12/25-23'	.XXX ±	.XX' ±								

东莞市溪榜电子有限公司
DONG GUAN XI BANG ELECTRONICS CO., LTD.



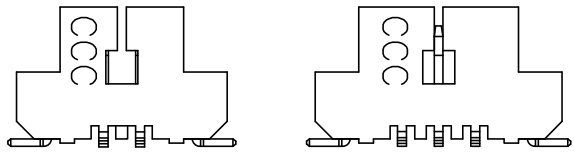
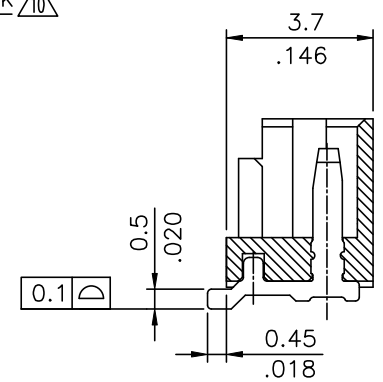
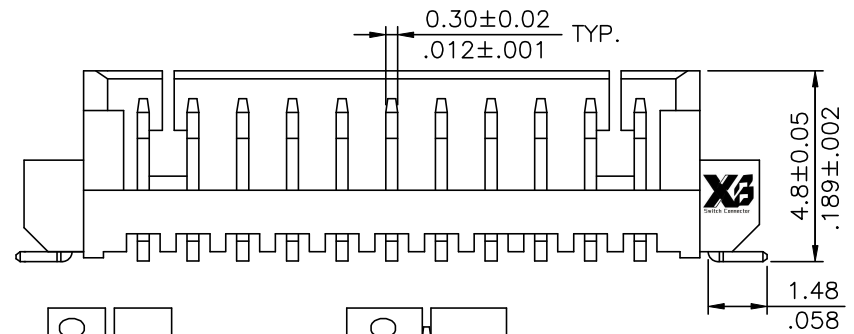
Note:

- * Material :
 Insulation: Nylon 6T UL 94V-0, Color Nature
 Contact : Phosphor Bronze with Matte Tin plated
 Fixed Tab : Brass with Matte Tin plated
- * Recommended mating part:
 Housing : CI44**S0000-L
 Terminal : CI44T011PP0
- * For Lead-Free IR Reflow process

ORDERING CODE:

CI44 ** M 1 V 00 -LF
 ① ② ③ ④ ⑤ ⑥ ⑦

- ① Series No.:
- ② No. of circuits: 02 TO 15
- ③ Contacts type: M= SMT
- ④ Plating option:
 1= Tin over Nickel plated
- ⑤ Tail style: V= Straight
- ⑥ Option: 00= Standard(Tube packing)
 R0= Tape & Reel packing
- ⑦ Other option:
 LF= For Leadfree IR Processes

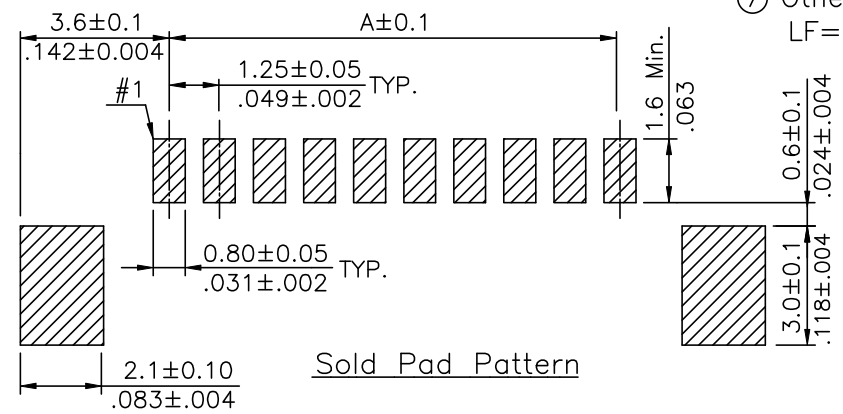


FOR 2 Circuits

FOR 3 Circuits


A = 1.25 x No. of Spaces
 B = A + 6.1
 C = A + 1.9

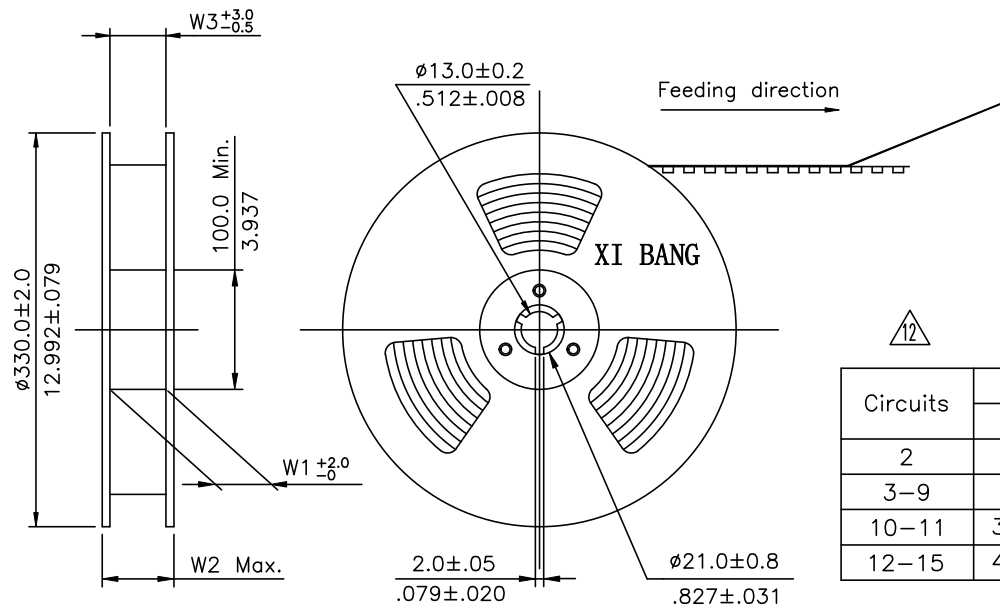
* Available in 2 through 15 circuits



Sold Pad Pattern

Lead Free Process
 RoHS Compliant

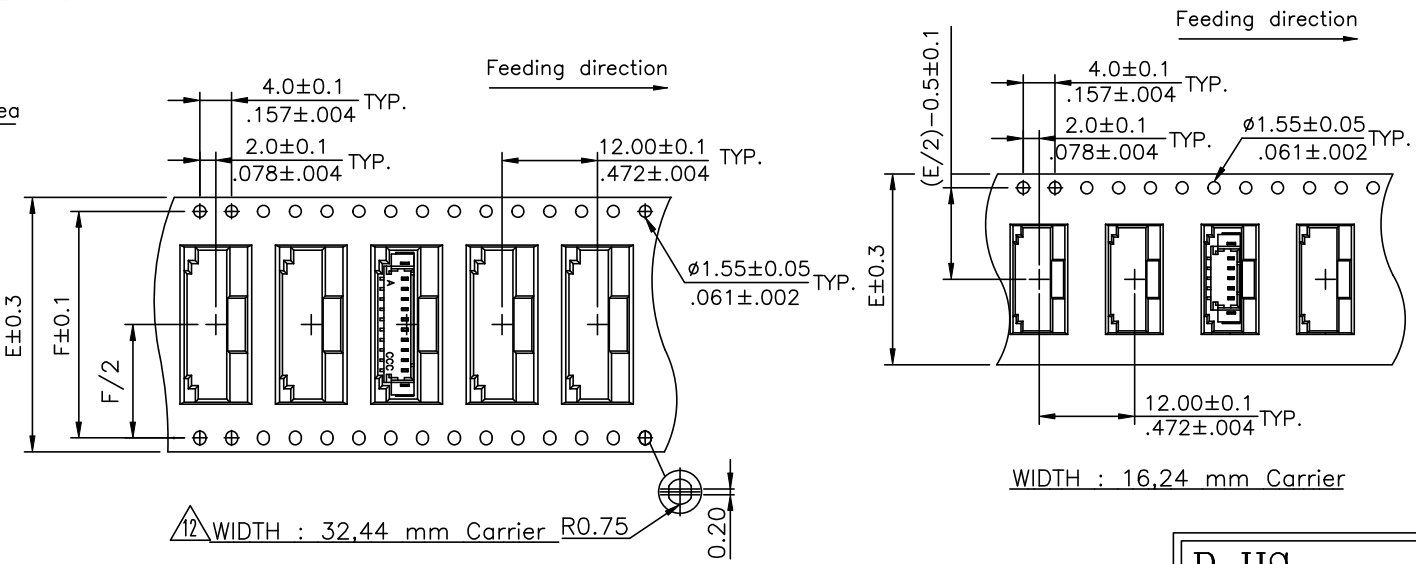
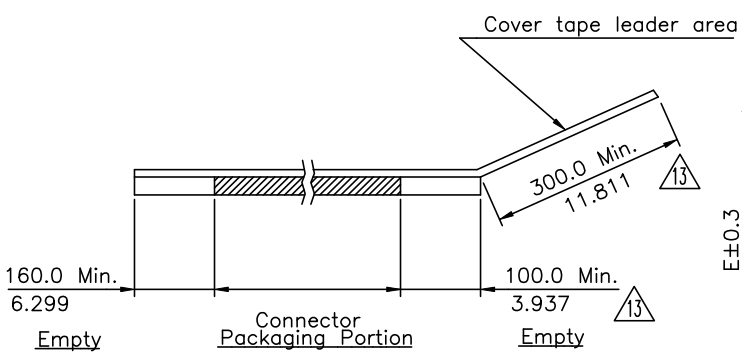
△14	Jack	12/25-23'	ECNT123179/ECRB123029		DATE	UNIT: mm / inch	TITLE: 1.25MM(.049") STRAIGHT SMT TYPE HEADER	 东莞市溪榜电子有限公司 DONG GUAN XI BANG ELECTRONICS CO., LTD.
△13	Karen	12/09-14'	ECNT114252/ECRT114090	DRAWN BY: Jack	12/25-23'	TOLERANCE UNLESS OTHERWISE SPECIFIED	MATERIAL:	
△12	Enya	7/26-12'	ECN12176-0 /ECR12061-1	ENGINEER: Sun	12/25-23'	.X ± 0.25/.010 X' ± 1'	FINISH:	DRAWING NO. CI4421SO PART NO. CI44**M1V**-LF
△11	Karen	4/19-11'	ECR11010-1/ECN11071	CHECKED BY: Easley	12/25-23'	.XX ± 0.15/.006 X' ±		SCALE 5 / 1 SHEET 1 OF 2
SYM	NAME	DATE	REVISIONS	APPROVED BY: Easley	12/25-23'	.XXX ± 0.08/.003 .XX ±		



NOTE :

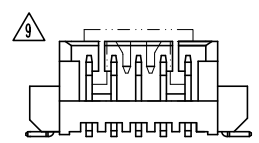
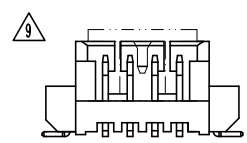
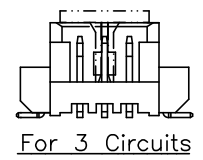
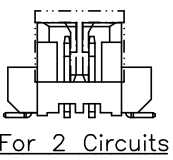
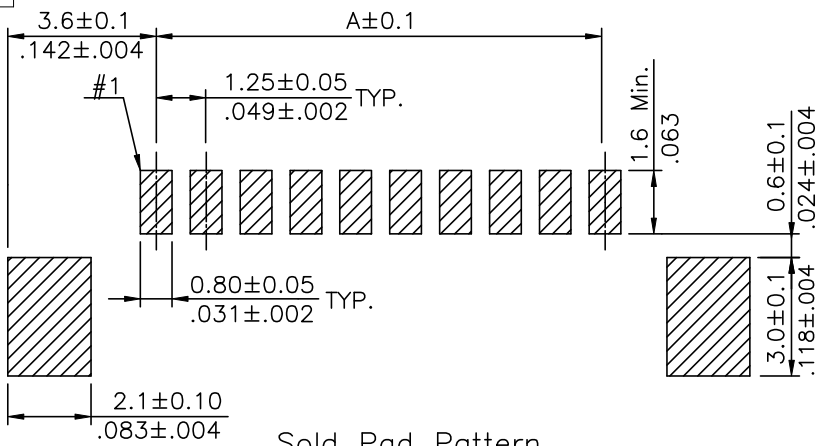
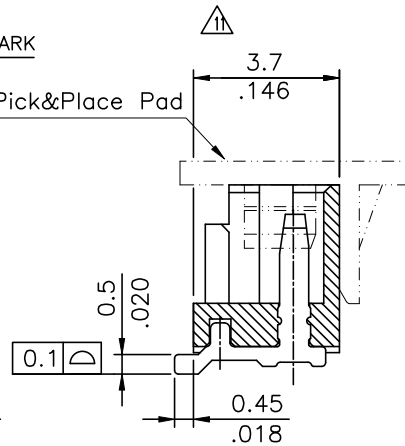
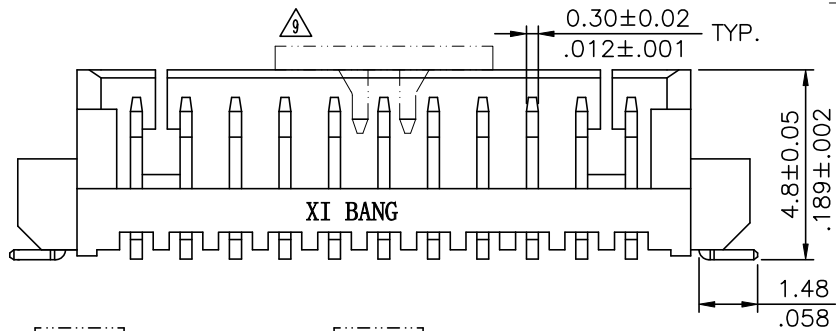
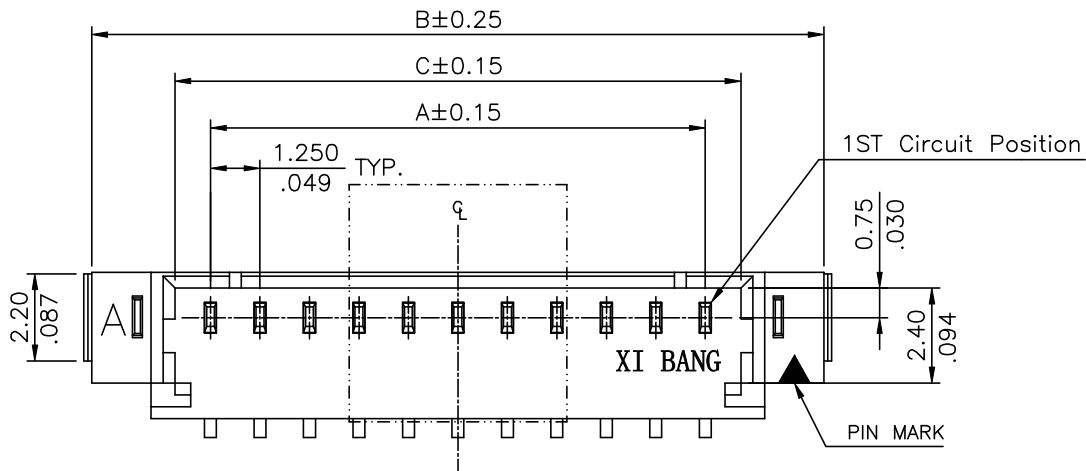
- ⚠ ⚠ * Reel Material : HIPS
- * Carrier Material : Clear, Conductive Polystyrene Alloy
- * Cover Tape Material : Polyester
- * Cover Tape Peel Strength : 0.1N – 1.3N
- * Carrier camber is within 1mm in 100mm
- ⚠ * All dimensions meet EIA-481 requirements.
- * Quantity : 1000 PCS/Reel

Circuits	Dimension					Packing (Reel/Carton)
	E	F	W1	W2	W3	
2	16.0(.630)	---	16.5(.650)	22.5(.886)	16.5(.650)	11
3-9	24.0(.945)	---	24.5(.965)	30.5(1.201)	24.5(.965)	9
10-11	32.0(1.260)	28.40(1.118)	32.5(1.280)	38.5(1.516)	32.5(1.280)	7
12-15	44.0(1.732)	40.40(1.591)	44.5(1.752)	50.5(1.988)	44.5(1.752)	5



RoHS Compliant

SYM	NAME	DATE	REVISIONS	APPROVED BY:	DATE	UNIT: mm / inch	TITLE: 1.25MM(.049") STRAIGHT SMT TYPE HEADER	DRAWING NO. CI4421SO PART NO. CI44**M1V**-LF			
△4	Jack	12/25-23'	ECNT123179/ECRB123029					DONG GUAN XI BANG ELECTRONICS CO., LTD.			
△3	Karen	12/09-14'	ECNT114252/ECRT114090	DRAWN BY: Jack	12/25-23'	TOLERANCE UNLESS OTHERWISE SPECIFIED		DRAWING NO. CI4421SO PART NO. CI44**M1V**-LF			
△2	Enya	7/26-12'	ECNT12176-0 /ECR12061-1	ENGINEER: Sun	12/25-23'	.X ±	X' ±	DRAWING NO. CI4421SO PART NO. CI44**M1V**-LF			
△1	Karen	4/19-11'	ECR11010-1/ECN11071	CHECKED BY: Easley	12/25-23'	.XX ±	.X' ±	DRAWING NO. CI4421SO PART NO. CI44**M1V**-LF			
				APPROVED BY: Easley	12/25-23'	.XXX ±	.XX' ±	DRAWING NO. CI4421SO PART NO. CI44**M1V**-LF			



Note:

- * Insulation: Nylon 6T UL 94V-0, Color Nature
- * Contact : Phosphor Bronze
- * Fixed Tab : Brass With Matte Tin Plated
- * For Lead Free IR Reflow Process

ORDERING CODE:

CI44 ** M 1 V RP -LF
 ① ② ③ ④ ⑤ ⑥ ⑦

- ① Series No.:
- ② No. of Circuits: 02 to 15
- ③ M= SMT Type Header
- ④ Plating Option:
1= 100u" min. Matte Tin Plated
over 50u" min. Nickel
- ⑤ Tail Style: V= Straight
- ⑥ Other Option: RP= Reel Packing & with Pad
- ⑦ LF= For Leadfree IR Processes

Sold Pad Pattern

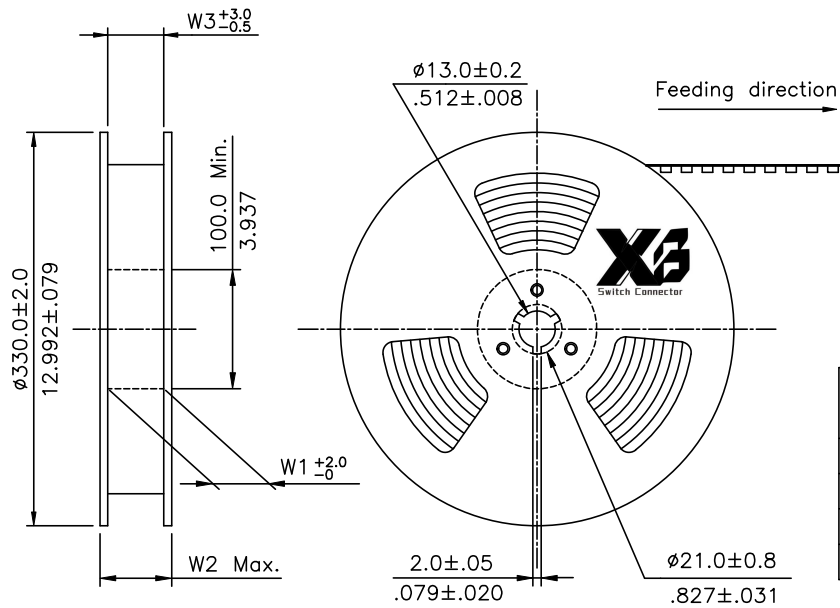
A = 1.25 x No. of Spaces
 B = A + 6.1
 C = A + 1.9

* Available in 2 through 15 circuits

Lead Free Process

RoHS Compliant

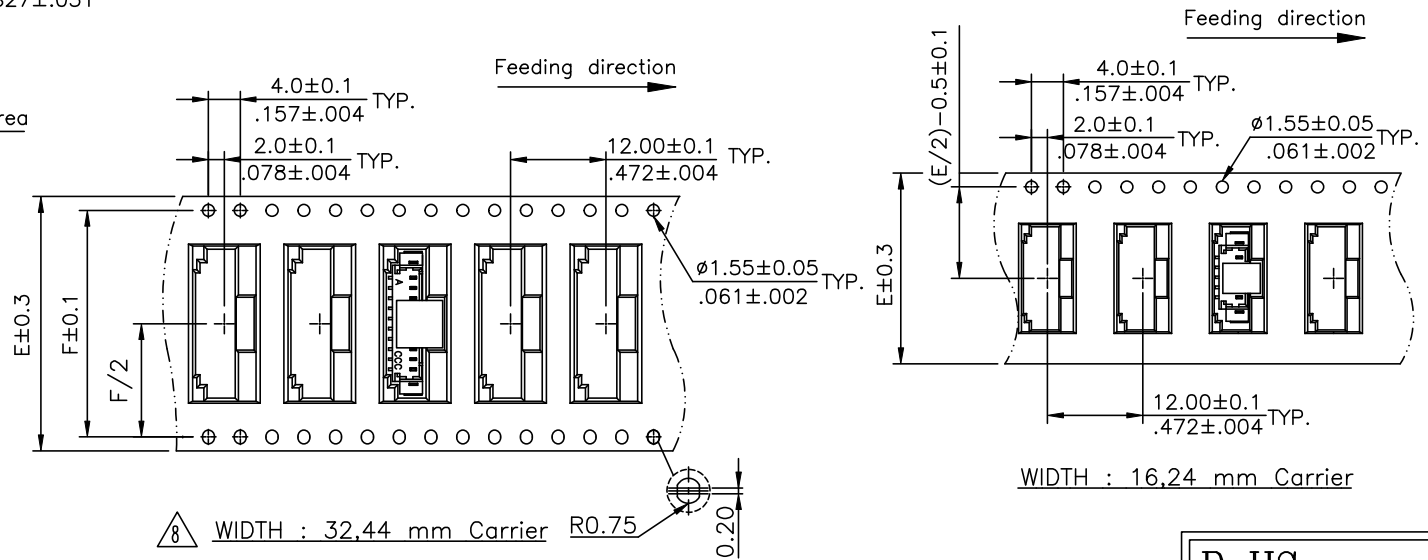
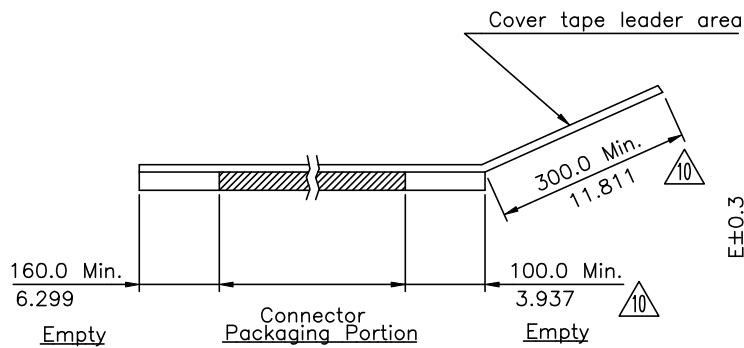
⑫	Jack	12/25-23'	ECNT123179/ECRB123029		DATE	UNIT: mm / inch	TITLE: 1.25MM(.049") STRAIGHT SMT TYPE HEADER	东莞市溪榜电子有限公司 DONG GUAN XI BANG ELECTRONICS CO., LTD.
⑪	Sandy	3/28-16'	ECNT16062	DRAWN BY: Jack	12/25-23'	TOLERANCE UNLESS OTHERWISE SPECIFIED	MATERIAL:	
⑩	Karen	12/09-14'	ECNT114252/ECRT114090	ENGINEER: Sun	12/25-23'	.X ± 0.25/.010 X' ± 1'	FINISH:	DRAWING NO. CI4429SM PART NO. CI44**M1VRP-LF
⑨	Sun	4/25-14'	ECRB114014/ECNT114071	CHECKED BY: Eisley	12/25-23'	.XX ± 0.15/.006 .X' ±		SCALE 5 / 1 SHEET 1 OF 2
SYM	NAME	DATE	REVISIONS	APPROVED BY: Eisley	12/25-23'	.XXX ± 0.08/.003 .XX' ±		



NOTE :

- △12 * Reel Material : HIPS
- * Carrier Material : Clear, Conductive Polystyrene Alloy
- * Cover Tape Material : Polyester
- * Cover Tape Peel Strength : 0.1N – 1.3N
- * Carrier camber is within 1mm in 100mm
- △12 * All dimensions meet EIA-481 requirements.
- * Quantity : 1000 PCS/Reel


Circuits	Dimension					Packing (Reel/Carton)
	E	F	W1	W2	W3	
2	16.0(.630)	---	16.5(.650)	22.5(.886)	16.5(.650)	11
3-9	24.0(.945)	---	24.5(.965)	30.5(1.201)	24.5(.965)	9
10-11	32.0(1.260)	28.40(1.118)	32.5(1.280)	38.5(1.516)	32.5(1.280)	7
12-15	44.0(1.732)	40.40(1.591)	44.5(1.752)	50.5(1.988)	44.5(1.752)	5

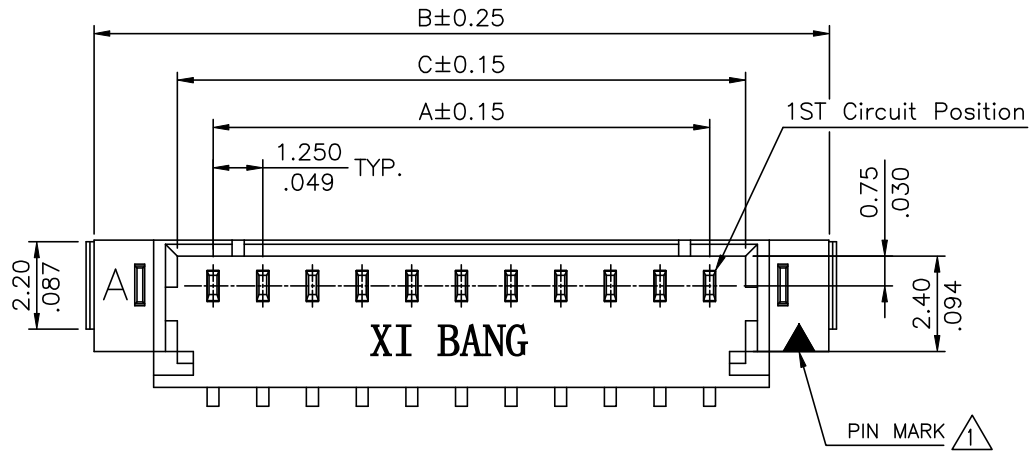


WIDTH : 16,24 mm Carrier

△8 WIDTH : 32,44 mm Carrier R0.75

RoHS Compliant

△12	Jack	12/25-23'	ECNT123179/ECRB123029		DATE	UNIT: mm / inch	TITLE: 1.25MM(.049") STRAIGHT SMT TYPE HEADER	 东莞市溪榜电子有限公司 DONG GUAN XI BANG ELECTRONICS CO., LTD.
△11	Sandy	3/28-16'	ECNT16062	DRAWN BY: Jack	12/25-23'	TOLERANCE UNLESS OTHERWISE SPECIFIED	MATERIAL:	
△10	Karen	12/09-14'	ECNT114252/ECRT114090	ENGINEER: Sun	12/25-23'	.X ±	.X' ± 1'	DRAWING NO. CI4429SM
△9	Sun	4/25-14'	ECRB114014/ECNT114071	CHECKED BY: Eisley	12/25-23'	.XX ±	.X' ±	PART NO. CI44**M1VRP-LF
SYM	NAME	DATE	REVISIONS	APPROVED BY: Eisley	12/25-23'	.XXX ±	.XX' ±	SCALE
								SHEET 2 OF 2



Note:

* Material :

Insulation:

Nylon 6T UL 94V-0

Color Nature

Contact : Phosphor Bronze

Fixed Tab : Brass with Matte
Tin Plated

* Recommended mating part:

Housing : CI44**S0000

Terminal : CI44T011PP0

* For Lead-Free IR Reflow process

ORDERING CODE:

CI44 ** M 1 V 00 -NH
① ② ③ ④ ⑤ ⑥ ⑦

① SERIES NO.:

② NO. OF CIRCUITS: 02 TO 15

③ M= SMT TYPE HEADER

④ PLATING OPTION:

1= Tin over Nickel plated

⑤ TAIL STYLE: V= STRAIGHT

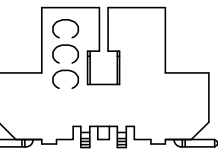
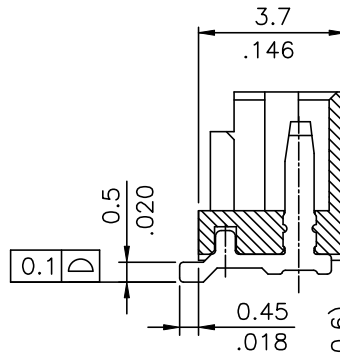
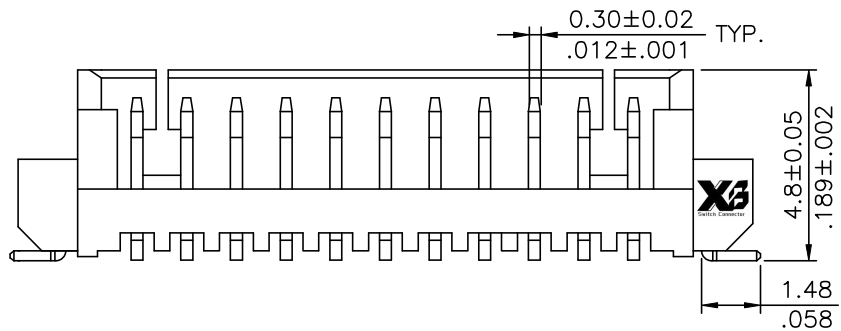
⑥ OPTION:

00= STANDARD(TUBE PACKING)

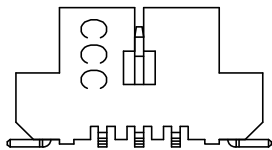
R0= TAPE & REEL PACKING

⑦ OTHER OPTION:

-NH=For Lead Free IR Processes
and Halogen-Free



FOR 2 Circuits



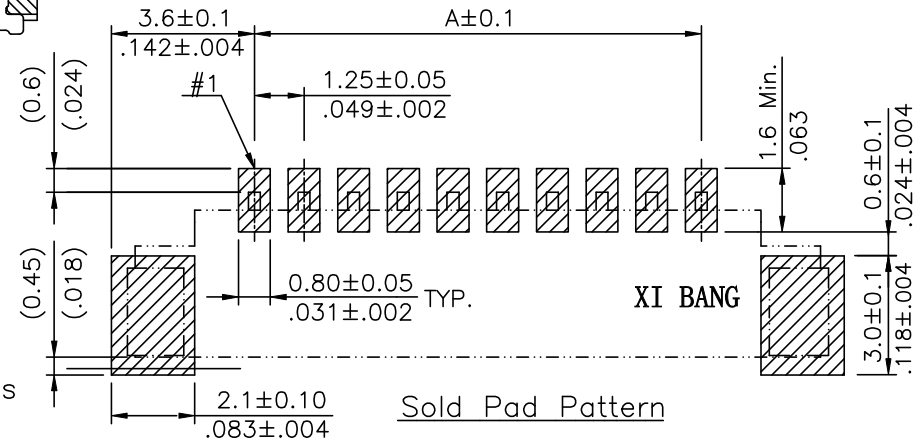
FOR 3 Circuits

A = 1.25 x No. of Spaces

B = A + 6.1

C = A + 1.9

* Available in 2 through 15 circuits




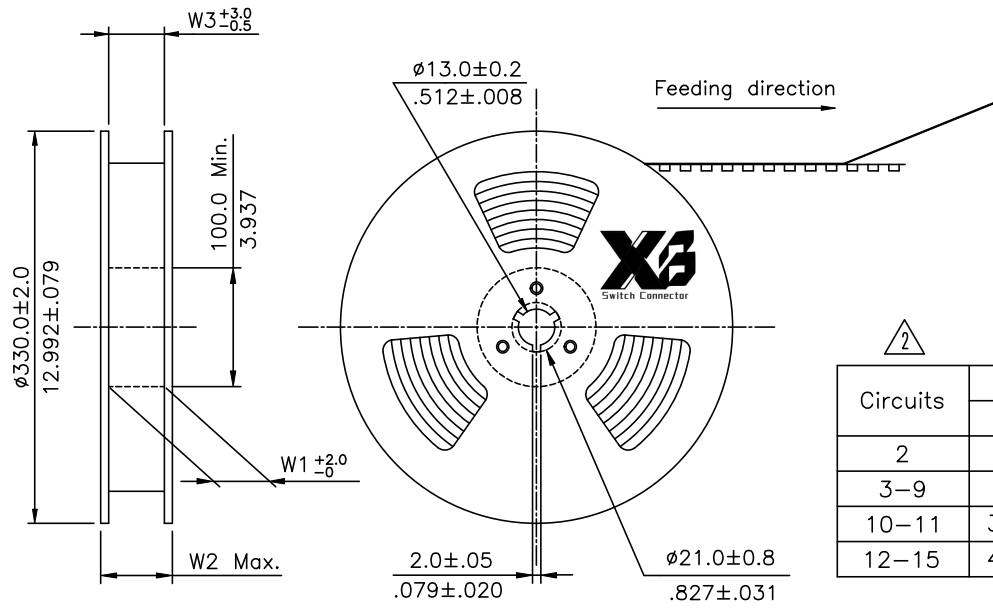
Sold Pad Pattern

Halogen-Free

Lead Free Process

RoHS Compliant

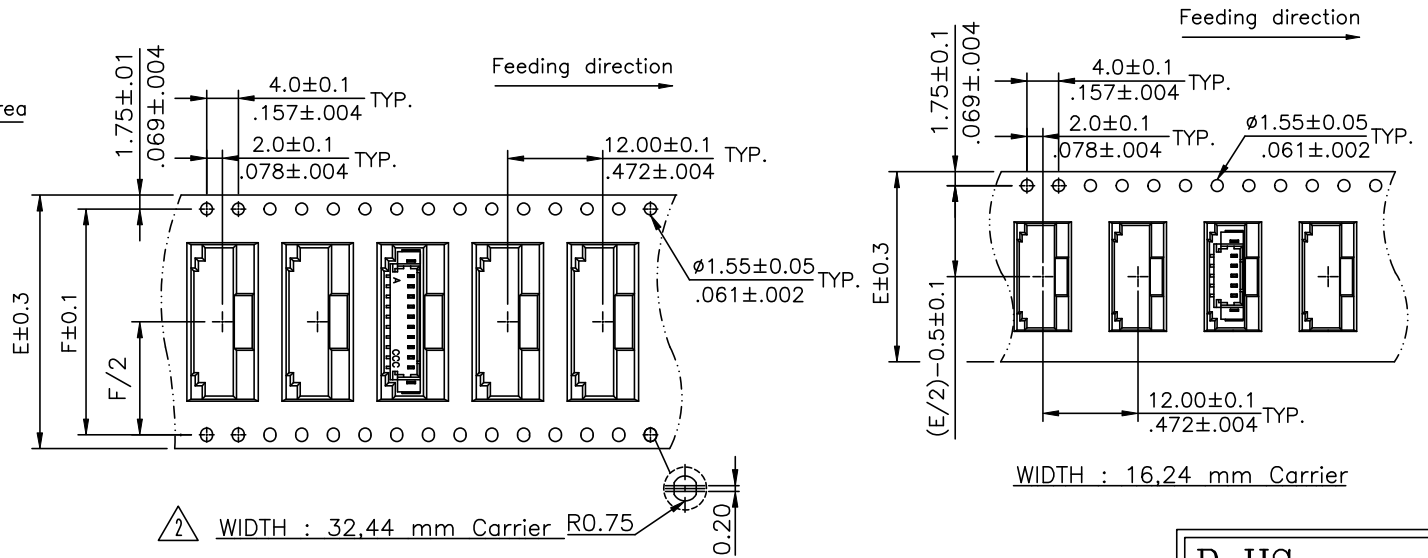
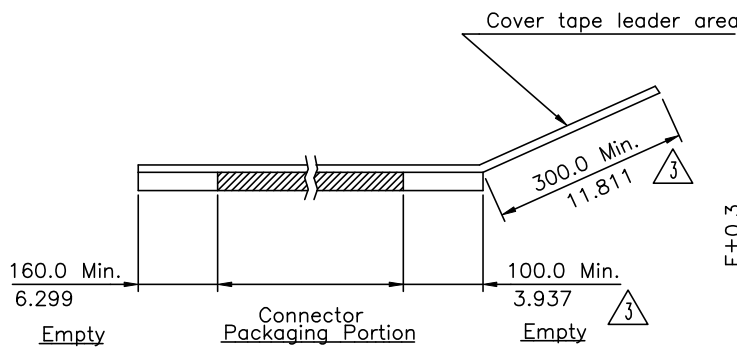
④	Jack	12/25-23'	ECNT123179/ECRB123029		DATE	UNIT: mm / inch	TITLE: 1.25MM(.049") STRAIGHT SMT TYPE HEADER
③	Karen	12/09-14'	ECNT114252/ECRT114090	DRAWN BY: Jack	12/25-23'	TOLERANCE UNLESS OTHERWISE SPECIFIED	MATERIAL:  东莞市溪榜电子有限公司 DONG GUAN XI BANG ELECTRONI CS CO., LTD.
②	Enya	7/26-12'	ECN12176-0 /ECR12061-1	ENGINEER: Sun	12/25-23'	.X ± 0.25/.010 .X* ± 1"	
①	Tim	11/09-10'	ECR10145-0/ECN10364	CHECKED BY: Eisley	12/25-23'	.XX ± 0.15/.006 .X* ±	
SYM	NAME	DATE	REVISIONS	APPROVED BY: Eisley	12/25-23'	.XXX ± 0.08/.003 .XX* ±	FINISH:
						DRAWING NO. CI4457SE PART NO. CI44**M1V**-NH	
						SCALE 5 / 1 SHEET 1 OF 2	



NOTE :

- * Reel Material : HIPS
- * Carrier Material : Clear, Conductive Polystyrene Alloy
- * Cover Tape Material : Polyester
- * Cover Tape Peel Strength : 0.1N – 1.3N
- * Carrier camber is within 1mm in 100mm
- * All dimensions meet EIA-481 requirements.
- * Quantity : 1000 PCS/Reel

Circuits	Dimension					Packing (Reel/Carton)
	E	F	W1	W2	W3	
2	16.0(.630)	---	16.5(.650)	22.5(.886)	16.5(.650)	11
3-9	24.0(.945)	---	24.5(.965)	30.5(1.201)	24.5(.965)	9
10-11	32.0(1.260)	28.40(1.118)	32.5(1.280)	38.5(1.516)	32.5(1.280)	7
12-15	44.0(1.732)	40.40(1.591)	44.5(1.752)	50.5(1.988)	44.5(1.752)	5



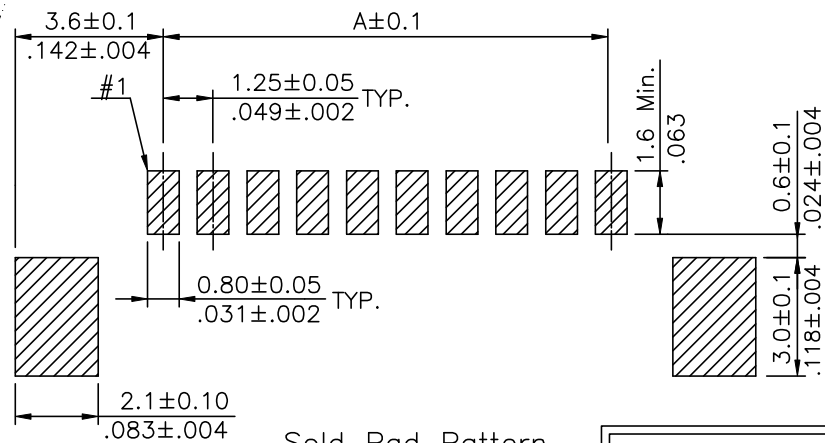
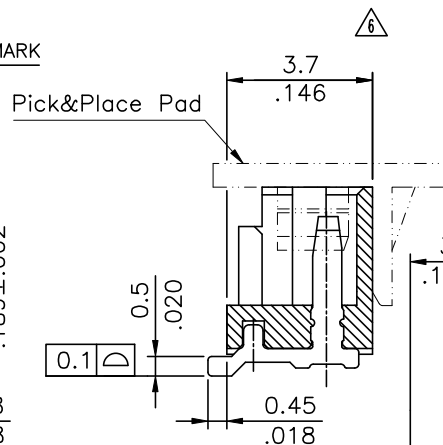
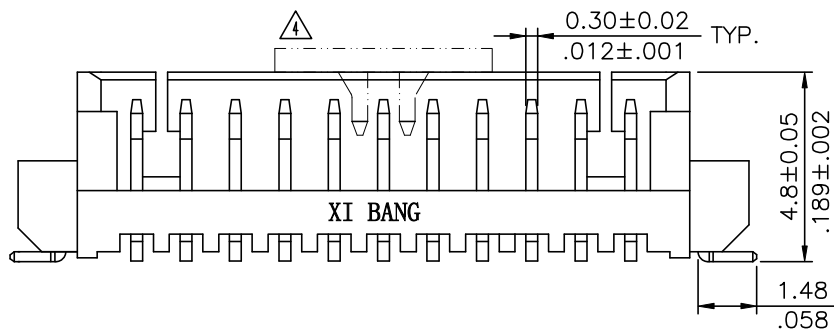
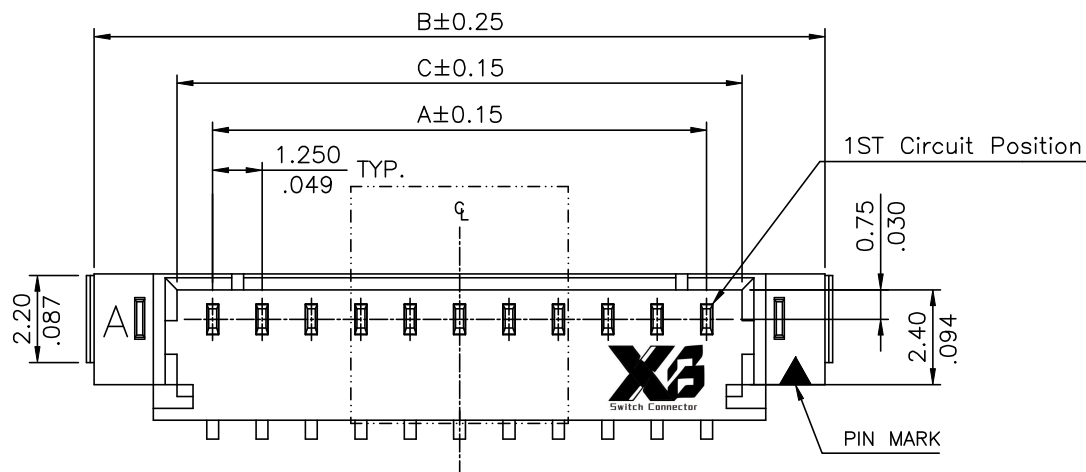
WIDTH : 16,24 mm Carrier

WIDTH : 32,44 mm Carrier R0.75

RoHS Compliant

SYM	NAME	DATE	REVISIONS	APPROVED BY:	Eisley	12/25-23'	UNIT: mm / inch	TITLE: 1.25MM(.049") STRAIGHT SMT TYPE HEADER	MATERIAL:	FINISH:	DRAWING NO.	CI4457SE	PART NO.	CI44**M1V**-NH	SCALE	SHEET 2 OF 2
4	Jack	12/25-23'	ECNT123179/ECRB123029													
3	Karen	12/09-14'	ECNT114252/ECRT114090	DRAWN BY:	Jack	12/25-23'	TOLERANCE UNLESS OTHERWISE SPECIFIED									
2	Enya	7/26-12'	ECN12176-0 /ECR12061-1	ENGINEER:	Sun	12/25-23'	X ±	X' ± 1'								
1	Tim	11/09-10'	ECR10145-0/ECN10364	CHECKED BY:	Eisley	12/25-23'	.XX ±	.X' ±								
							.XXX ±	.XX' ±								

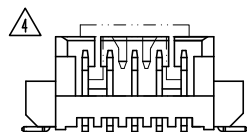
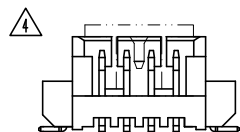
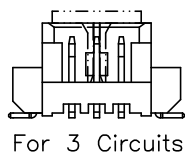
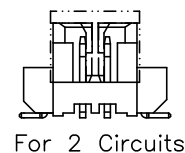
东莞市溪榜电子有限公司
DONG GUAN XI BANG ELECTRONI CS CO., LTD.



ORDERING CODE:

CI44 ** M * V RP -NH
 ① ② ③ ④ ⑤ ⑥ ⑦

- ① Series No.:
- ② No. of Circuits: 02 to 15
- ③ M= SMT Type Header
- ④ Plating Option:
 1= Matte Tin Plated over Nickel
 2= Gold flash plated over Nickel
- ⑤ Tail Style: V= Straight
- ⑥ Other Option: RP= Reel Packing & with Pad
- ⑦ -NH=For Lead Free IR Processes and Halogen-Free



- Note:
- * Insulation: Nylon 6T UL 94V-0 Color Nature
 - * Contact: Phosphor Bronze
 - * Fixed Tab: Brass With Matte Tin Plated
 - * For Lead Free IR Reflow process

Sold Pad Pattern

A = 1.25 x No. of Spaces
 B = A + 6.1
 C = A + 1.9

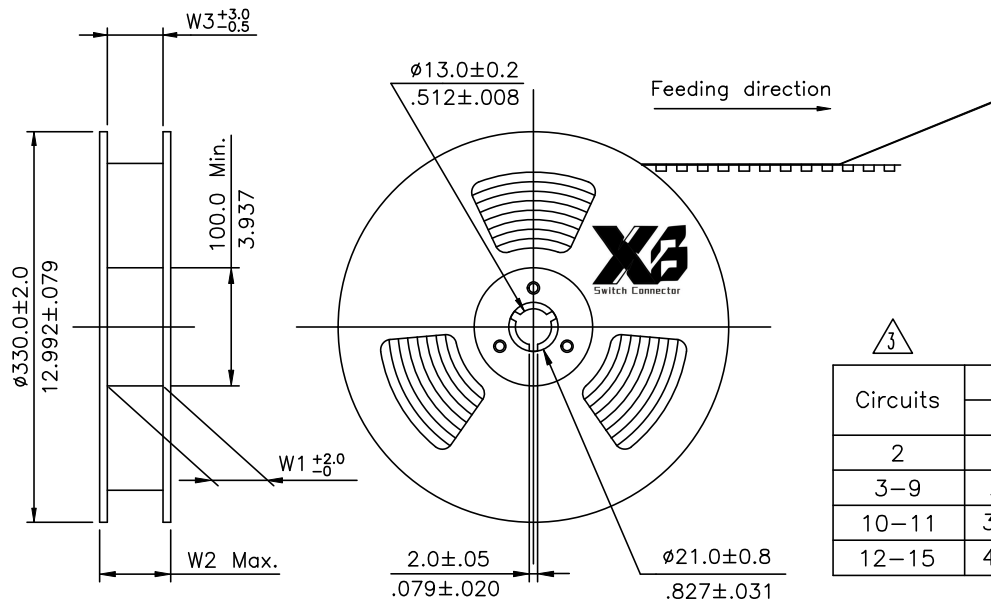
* Available in 2 through 15 circuits

Halogen-Free

Lead Free Process

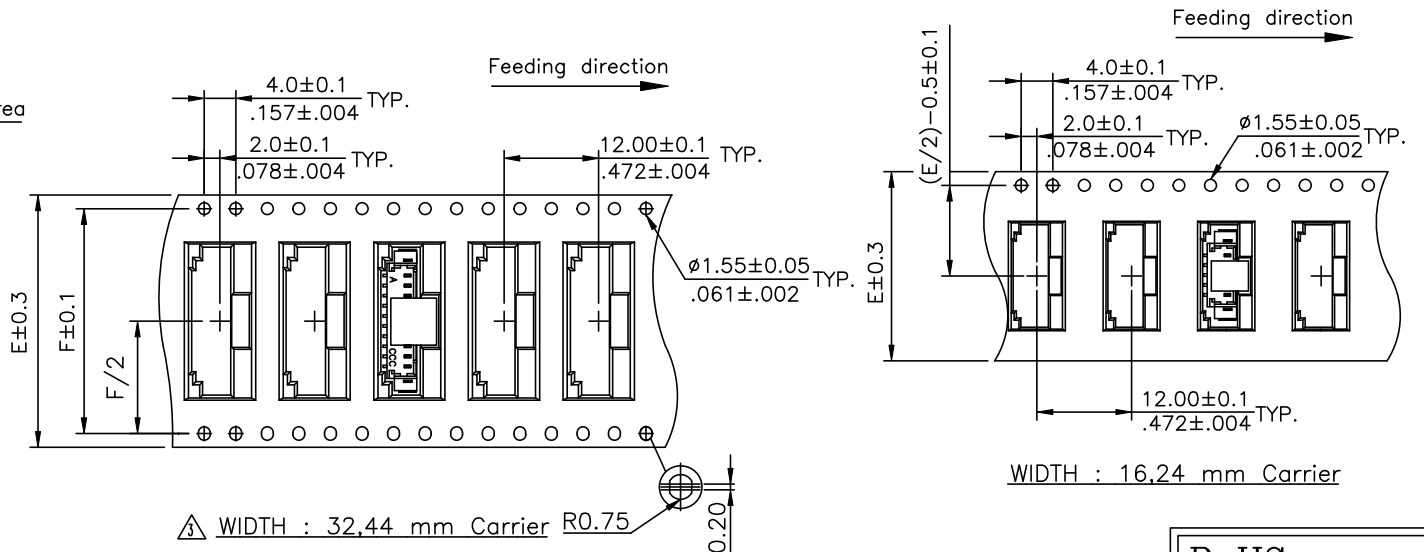
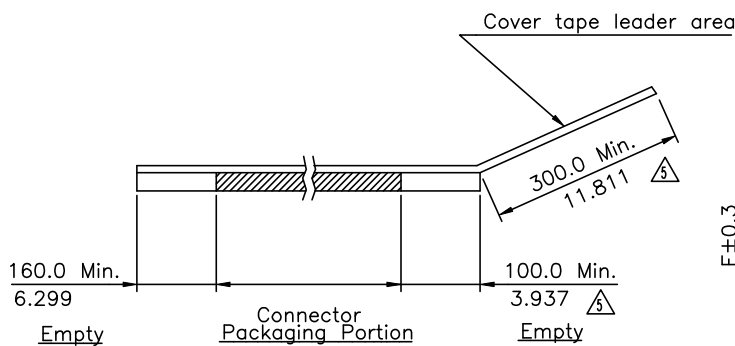
RoHS Compliant

⑦	Jack	12/25-23'	ECNT123179/ECRB123029		DATE	UNIT: mm / inch	TITLE: 1.25MM(.049") STRAIGHT SMT TYPE HEADER	东莞市溪榜电子有限公司 DONG GUAN XI BANG ELECTRONI CS CO., LTD.
⑥	Sandy	3/28-16'	ECNT116062	DRAWN BY: Jack	12/25-23'	TOLERANCE UNLESS OTHERWISE SPECIFIED	MATERIAL:	
⑤	Karen	12/09-14'	ECNT114252/ECRT114090	ENGINEER: Sun	12/25-23'	.X ± 0.25/.010 X.* ± 1'	FINISH:	DRAWING NO. CI4462SH PART NO. CI44**M*VRP-NH
④	Sun	4/25-14'	ECRB114014/ECNT114071	CHECKED BY: Eisley	12/25-23'	.XX ± 0.15/.006 X.* ±		SCALE 5 / 1 SHEET 1 OF 2
SYM	NAME	DATE	REVISIONS	APPROVED BY: Eisley	12/25-23'	.XXX ± 0.08/.003 .XX* ±		



- NOTE :
- ⚠ * Reel Material : HIPS
 - * Carrier Material : Clear, Conductive Polystyrene Alloy
 - * Cover Tape Material : Polyester
 - * Cover Tape Peel Strength : 0.1N – 1.3N
 - * Carrier camber is within 1mm in 100mm
 - ⚠ * All dimensions meet EIA-481 requirements.
 - * Quantity : 1000 PCS/Reel

Circuits	Dimension					Packing (Reel/Carton)
	E	F	W1	W2	W3	
2	16.0(.630)	---	16.5(.650)	22.5(.886)	16.5(.650)	11
3-9	24.0(.945)	---	24.5(.965)	30.5(1.201)	24.5(.965)	9
10-11	32.0(1.260)	28.40(1.118)	32.5(1.280)	38.5(1.516)	32.5(1.280)	7
12-15	44.0(1.732)	40.40(1.591)	44.5(1.752)	50.5(1.988)	44.5(1.752)	5



RoHS Compliant

⚠	Jack	12/25-23'	ECNT123179/ECRB123029		DATE	UNIT: mm / inch	TITLE: 1.25MM(.049")
⚠	Sandy	3/28-16'	ECNT116062	DRAWN BY: Jack	12/25-23'	TOLERANCE UNLESS OTHERWISE SPECIFIED	STRAIGHT SMT TYPE HEADER
⚠	Karen	12/09-14'	ECNT114252/ECRT114090	ENGINEER: Sun	12/25-23'		MATERIAL:
⚠	Sun	4/25-14'	ECRB114014/ECNT114071	CHECKED BY: Eisley	12/25-23'	.X ±	FINISH:
SYM	NAME	DATE	REVISIONS	APPROVED BY: Eisley	12/25-23'	.XX ±	
						.XXX ±	

东莞市溪榜电子有限公司
DONG GUAN XI BANG ELECTRONICS CO., LTD.

Switch Connector

DRAWING NO.	CI4462SH	PART NO.	CI44**M*VRP-NH
SCALE		SHEET	2 OF 2