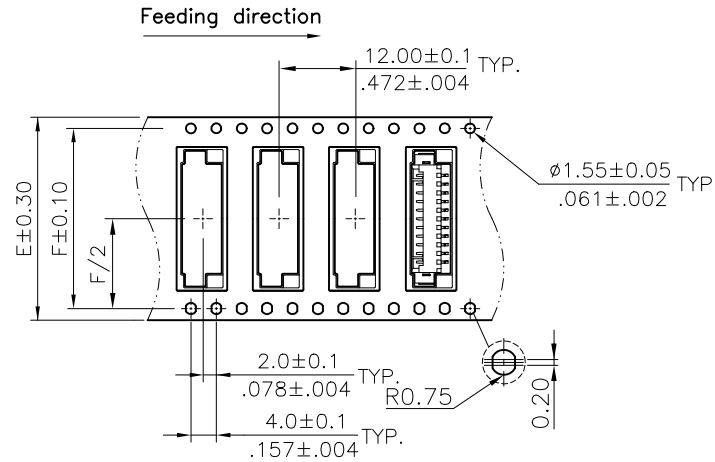
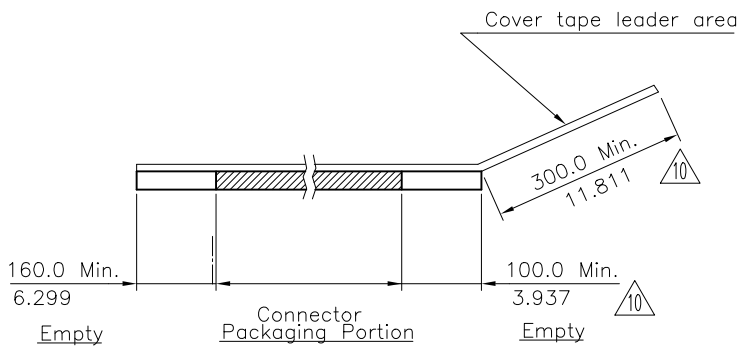


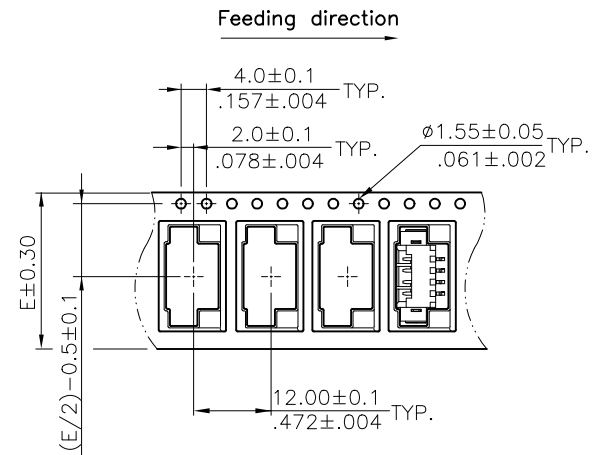
NOTE :

- ⚠️ * Reel Material : Corrugated Paper
- * Carrier Material : Clear, Conductive Polystyrene Alloy
- * Cover Tape Material : Polyester
- * Cover Tape Peel Strength : 0.1N – 1.3N
- * Carrier camber is within 1mm in 100mm
- * All dimensions meet EIA-481-2 & EIA-481-3 requirements.
- * Quantity : 1400 PCS/Reel

Circuits	Dimension					Packing (Reel/Caton)
	E	F	W1	W2	W3	
2	16.0(.630)	---	16.5(.650)	22.5(.886)	16.5(.650)	11
3-9	24.0(.945)	---	24.5(.965)	30.5(1.201)	24.5(.965)	9
10-12	32.0(1.260)	28.40(1.118)	32.5(1.280)	38.5(1.516)	32.5(1.280)	7
13-15	44.0(1.732)	40.40(1.591)	44.5(1.752)	50.5(1.988)	44.5(1.752)	5



WIDTH : 32.44 mm Carrier



WIDTH : 16.24 mm Carrier

RoHS Compliant

SYM	NAME	DATE	REVISIONS	APPROVED BY:	DATE	UNIT: mm / inch	TITLE: 1.25MM(.049") RIGHT ANGLE SMT TYPE HEADER	MATERIAL:	FINISH:	DRAWING NO. CI4405SQ	PART NO. CI44**M1H*0	SCALE	SHEET 2 OF 2
△10	Karen	12/09-14'	ECNT114252/ECRT114090		DATE	UNIT: mm / inch	TITLE: 1.25MM(.049") RIGHT ANGLE SMT TYPE HEADER	MATERIAL:	FINISH:	DRAWING NO. CI4405SQ	PART NO. CI44**M1H*0	SCALE	SHEET 2 OF 2
△9	Enya	7/26-12'	ECN12176-0 / ECR12061-1	DRAWN BY: Karen	12/25-14'	TOLERANCE UNLESS OTHERWISE SPECIFIED							
△8	Sun	5/26-11'	ECN11071/ECR11010-1	ENGINEER: Sun	12/26-14'	.X ±	X' ± 1'						
△7	Sandy	6/18-08'	ECN08287	CHECKED BY: Eisley	12/29-14'	.XX ±	.X ±						
				APPROVED BY: Eisley	12/29-14'	.XXX ±	.XX ±						

X3 东莞市溪榜电子有限公司
Switch Connector DONG GUAN XI BANG ELECTRONI CS CO., LTD.

Note:

* Material:

Insulation:

Nylon 9T UL 94V-0, Color Nature

Contact : Phosphor Bronze

△ Fixed Tab : Brass with Matte Tin Plated

* Recommended mating part:

Housing : CI44**S0000-L

Terminal : CI44T011PPO

* For Lead-Free IR Reflow process

ORDERING CODE:

CI44 ** M * H ** -LF
 ① ② ③ ④ ⑤ ⑥ ⑦

① Series No.:

② No. of circuits: 02 TO 15

③ Contacts type: M= SMT

④ Plating option:

1= Matte Tin Plated over Nickel

2= Gold flash plated over Nickel

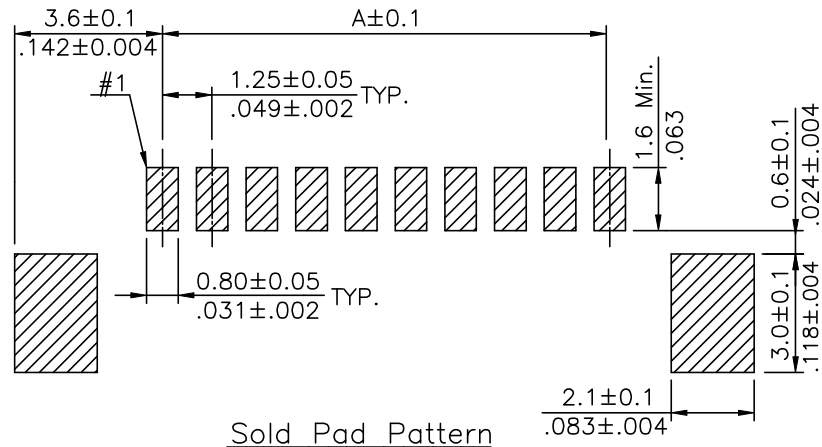
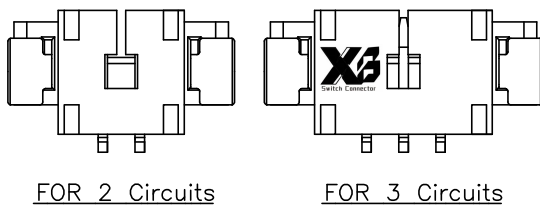
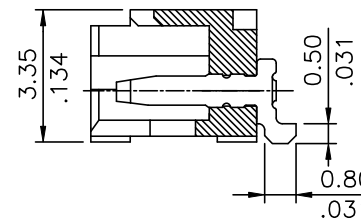
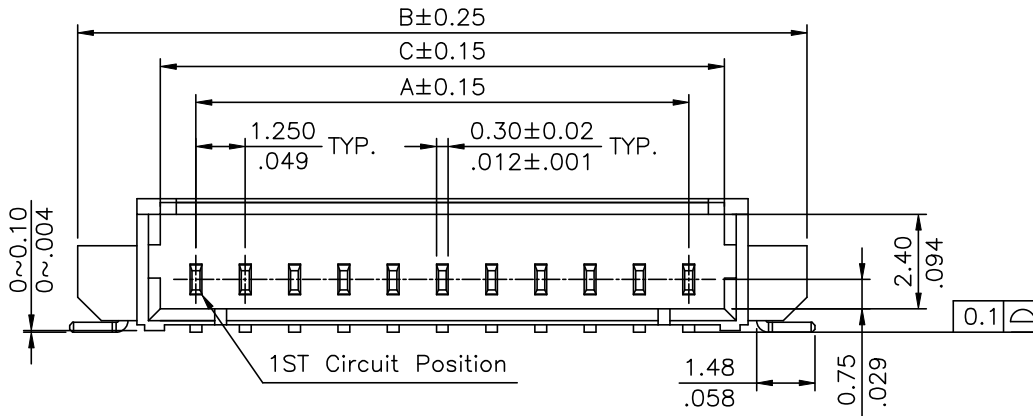
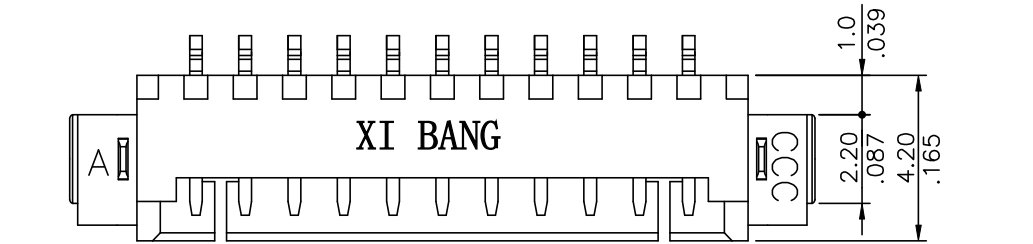
⑤ Tail style: H= Right angle

⑥ Option: 00= Standard(Tube packing)

R0= Tape & Reel packing

⑦ Other option:

LF= For Leadfree IR Processes



A = 1.25 x No. of Spaces

B = A + 6.1

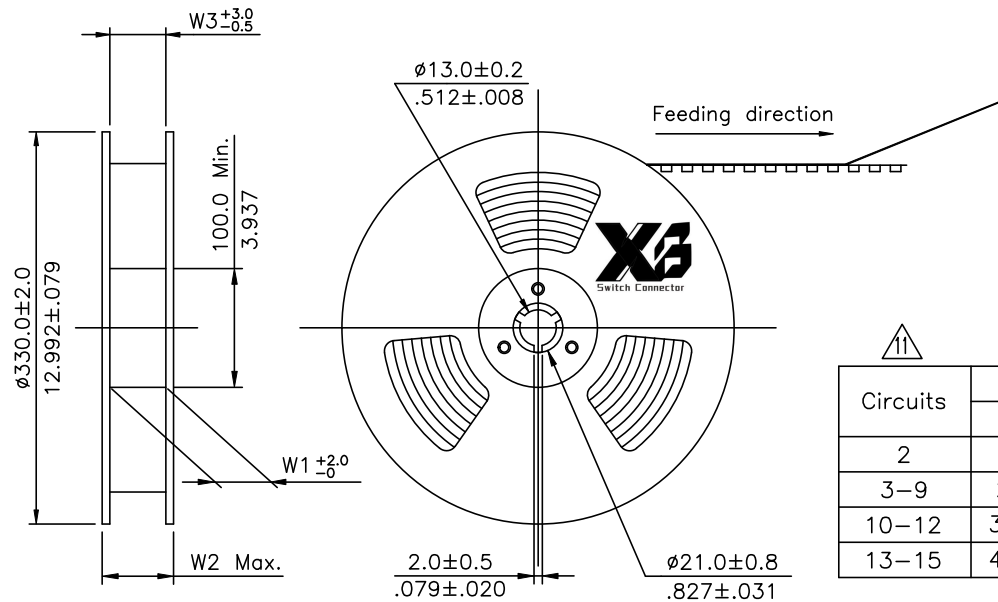
C = A + 1.9

* Available in 2 through 15 circuits

Lead Free Process
 RoHS Compliant

△13	Jack	12/25-23'	ECNT123179/ECRB123029		DATE	UNIT: mm / inch	TITLE: 1.25MM(.049") RIGHT ANGLE SMT TYPE HEADER
△12	Karen	12/09-14'	ECNT114252/ECRT114090	DRAWN BY: Jack	12/25-23'	TOLERANCE UNLESS OTHERWISE SPECIFIED	MATERIAL: FINISH:
△11	Enya	7/26-12'	ECN12176-0 / ECR12061-1	ENGINEER: Sun	12/25-23'	.X ± 0.25/.010 X.' ± 1'	
△10	Karen	4/19-11'	ECN11071/ECR11010-1	CHECKED BY: Eisley	12/25-23'	.XX ± 0.15/.006 .X' ±	
SYM	NAME	DATE	REVISIONS	APPROVED BY: Eisley	12/25-23'	.XXX ± 0.08/.003 .XX' ±	

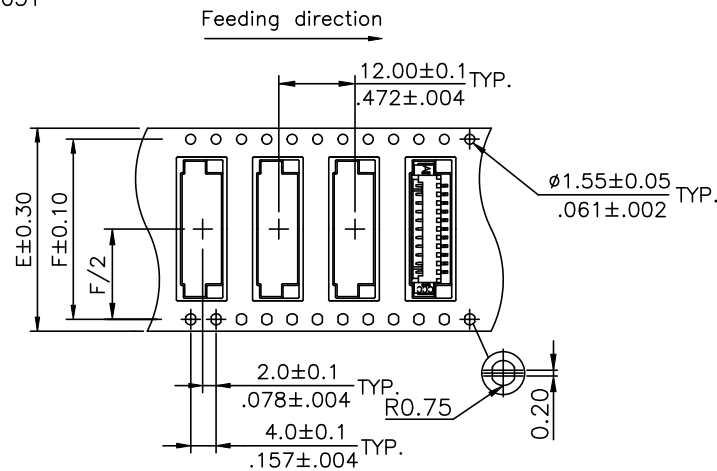
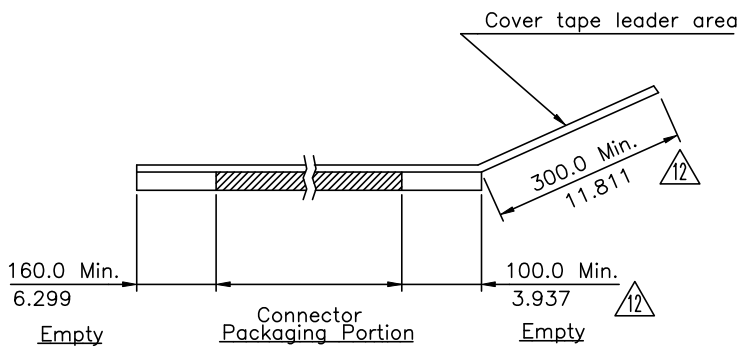
 东莞市溪榜电子有限公司 DONG GUAN XI BANG ELECTRONI CS CO., LTD.			
DRAWING NO.	CI4420SN	PART NO.	CI44**M*H**-LF
SCALE	5 / 1	SHEET	1 OF 2



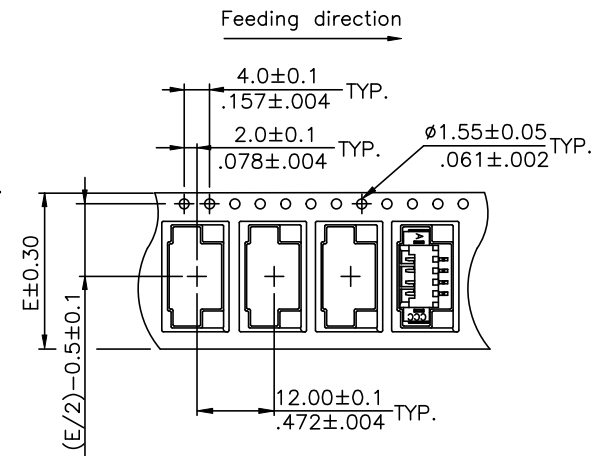
NOTE :

- △ △ * Reel Material : HIPS
- * Carrier Material : Clear, Conductive Polystyrene Alloy
- * Cover Tape Material : Polyester
- * Cover Tape Peel Strength : 0.1N – 1.3N
- * Carrier camber is within 1mm in 100mm
- △ * All dimensions meet EIA-481 requirements.
- * Quantity : 1400 PCS/Reel

Circuits	Dimension					Packing (Reel/Carton)
	E	F	W1	W2	W3	
2	16.0(.630)	---	16.5(.650)	22.5(.886)	16.5(.650)	11
3-9	24.0(.945)	---	24.5(.965)	30.5(1.201)	24.5(.965)	9
10-12	32.0(1.260)	28.40(1.118)	32.5(1.280)	38.5(1.516)	32.5(1.280)	7
13-15	44.0(1.732)	40.40(1.591)	44.5(1.752)	50.5(1.988)	44.5(1.752)	5



WIDTH : 32.44 mm Carrier

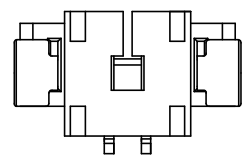
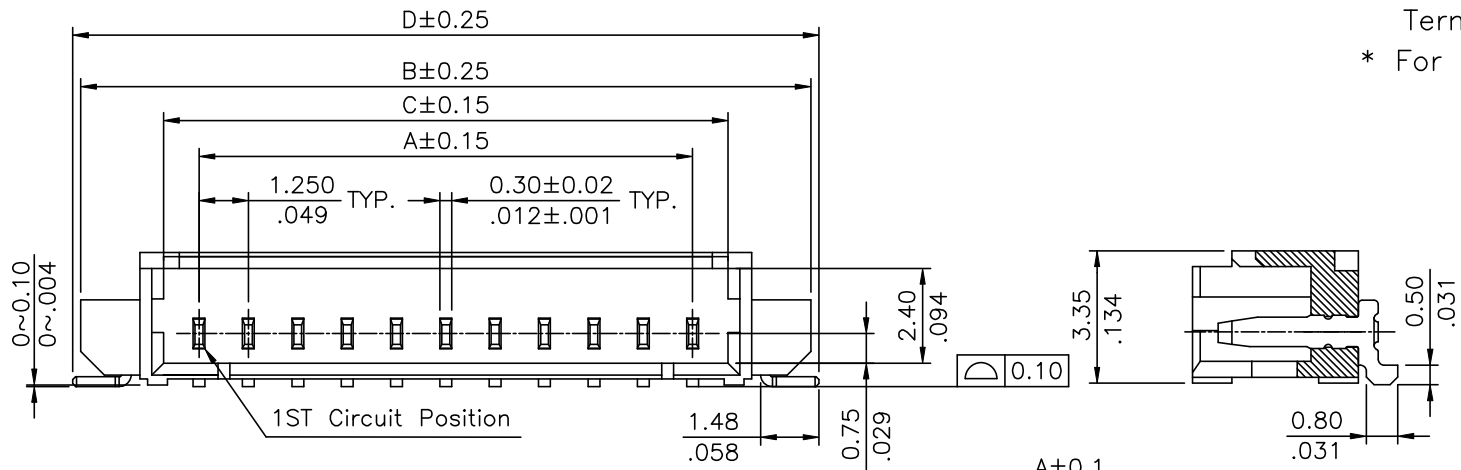
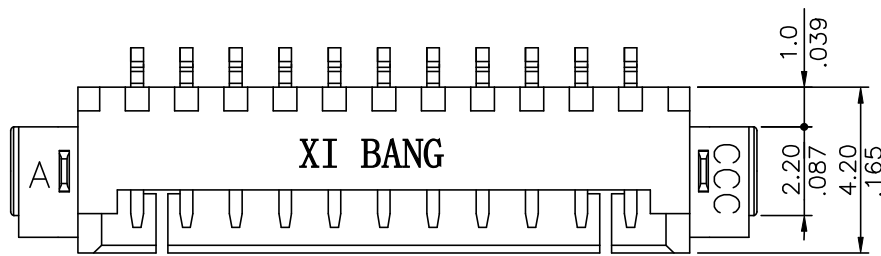


WIDTH : 16.24 mm Carrier

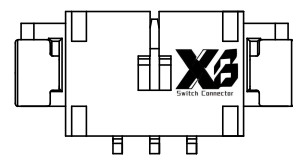
RoHS Compliant

SYM	NAME	DATE	REVISIONS	APPROVED BY:	DATE	UNIT: mm / inch	TITLE: 1.25MM(.049") RIGHT ANGLE SMT TYPE HEADER	MATERIAL:	FINISH:	DRAWING NO.	PART NO.	CHECKED BY:	DATE	APPROVED BY:	DATE	SCALE	SHEET 2 OF 2
△13	Jack	12/25-23'	ECNT123179/ECRB123029														
△12	Karen	12/09-14'	ECNT114252/ECRT114090	DRAWN BY:	Jack	12/25-23'	TOLERANCE UNLESS OTHERWISE SPECIFIED										
△11	Enya	7/26-12'	ECN12176-0 /ECR12061-1	ENGINEER:	Sun	12/25-23'	.X ±	X' ± 1'									
△10	Karen	4/19-11'	ECN11071/ECR11010-1	CHECKED BY:	Eisley	12/25-23'	.XX ±	.X' ±									
				APPROVED BY:	Eisley	12/25-23'	.XXX ±	.XX' ±									

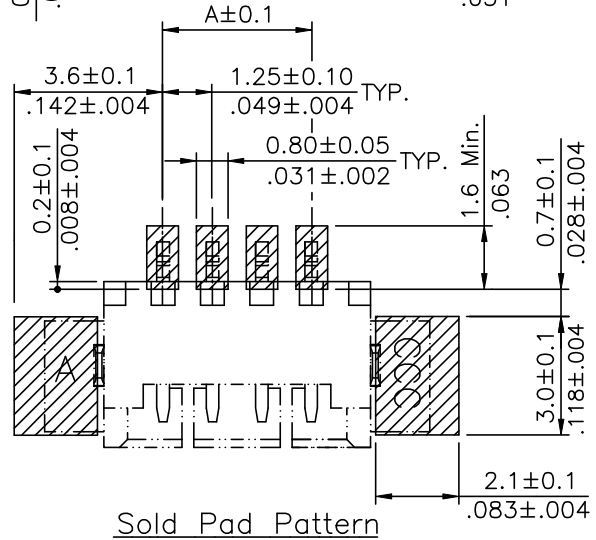
Switch Connector 东莞市溪榜电子有限公司
DONG GUAN XI BANG ELECTRONICS CO., LTD.



FOR 2 Circuits



FOR 3 Circuits



Solder Pad Pattern

A = 1.25 x No. of Spaces
 B = A + 6.1
 C = A + 1.9
 D = A + 6.4
 * Available in 2 through 15 circuits

Notes :

- * Insulation: Nylon 6T UL 94V-0, Color Nature
- * Contact : Phosphor Bronze
- * Fixed Tab : Brass with Matte Tin Plated
- * Recommended mating part:
 Housing: CI44**S0000-L
 Terminal: CI44T011PP0
- * For Lead-Free IR Reflow process

ORDERING CODE:

CI44 ** M * H ** -NH
 ① ② ③ ④ ⑤ ⑥ ⑦

- ① Series No.:
- ② No. of circuits: 02 TO 15
- ③ Contacts type: M= SMT
- ④ Plating option:
 1= Matte Tin Plated over Nickel
 2= Gold flash plated over Nickel
- ⑤ Tail style: H= Right angle
- ⑥ Option: 00= Standard(Tube packing)
 R0= Tape & Reel packing
- ⑦ Other option:
 -NH=For Lead Free IR Processes and Halogen-Free

Halogen-Free

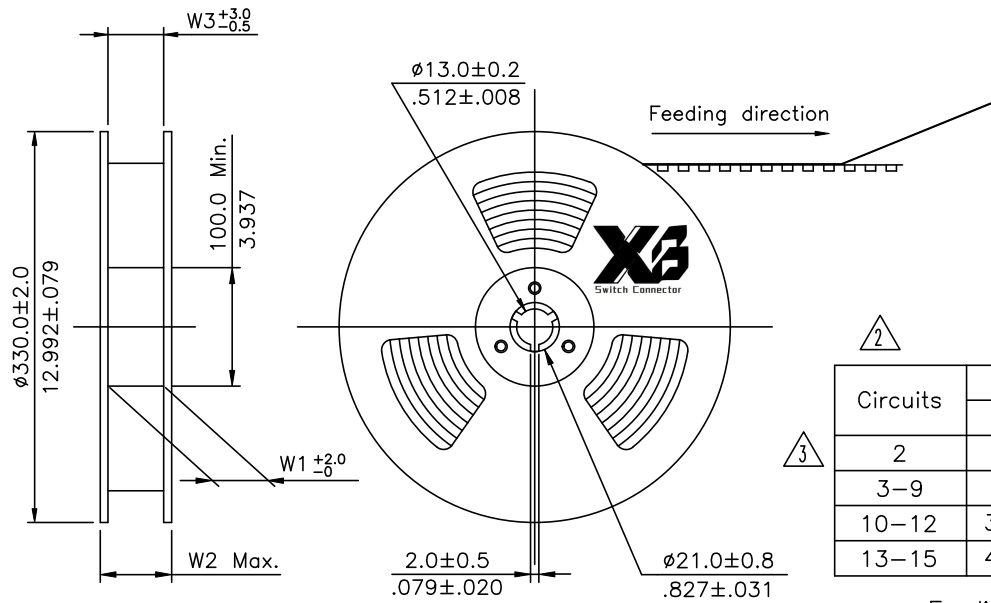
Lead Free Process

RoHS Compliant

⑥	Jack	12/25-23'	ECNT123179/ECRB123029		DATE	UNIT: mm / inch	TITLE: 1.25MM(.049")
⑤	Sun	8/15-19'	ECNT119210	DRAWN BY: Jack	12/25-23'	TOLERANCE UNLESS OTHERWISE SPECIFIED	RIGHT ANGLE SMT TYPE HEADER
④	Karen	12/09-14'	ECNT114252/ECRT114090	ENGINEER: Sun	12/25-23'		MATERIAL:
③	Ellie	9/24-14'	ECNT114210	CHECKED BY: Eisley	12/25-23'	.X ± 0.25/.010 X' ± 1'	FINISH:
SYM	NAME	DATE	REVISIONS	APPROVED BY: Eisley	12/25-23'	.XX ± 0.15/.006 X' ±	
						.XXX ± 0.08/.003 XX' ±	

XB 东莞市溪榜电子有限公司
 Switch Connector DONG GUAN XI BANG ELECTRONICS CO., LTD.

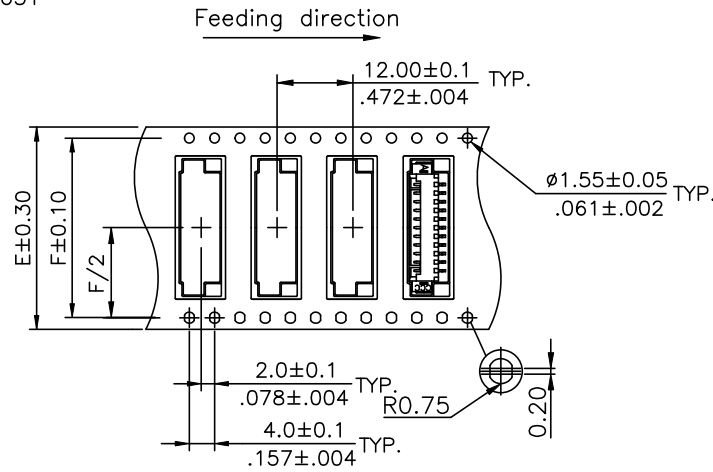
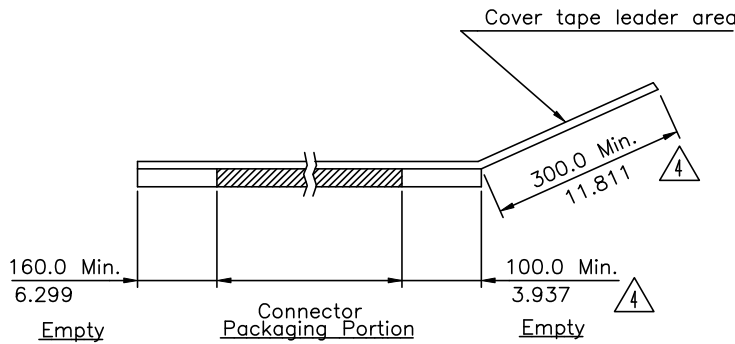
DRAWING NO.	CI4447SG	PART NO.	CI44**M**H**-NH
SCALE	5 / 1	SHEET	1 OF 2



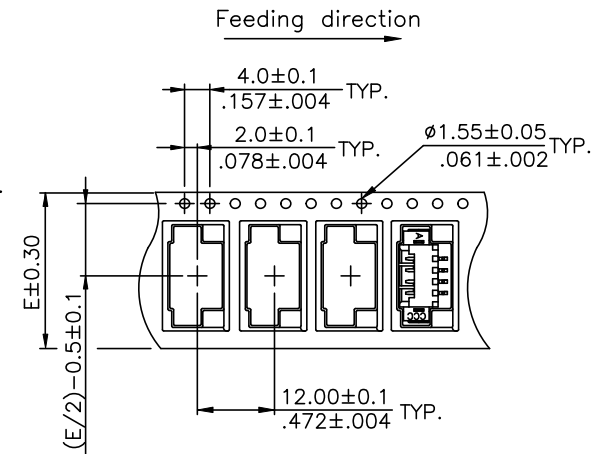
NOTE :

- ⚠ * Reel Material : HIPS
- * Carrier Material : Clear, Conductive Polystyrene Alloy
- * Cover Tape Material : Polyester
- * Cover Tape Peel Strength : 0.1N – 1.3N
- * Carrier camber is within 1mm in 100mm
- ⚠ * All dimensions meet EIA-481 requirements.
- * Quantity : 1400 PCS/Reel

Circuits	Dimension					Packing (Reel/Carton)
	E	F	W1	W2	W3	
2	16.0(.630)	---	16.5(.650)	22.5(.886)	16.5(.650)	11
3-9	24.0(.945)	---	24.5(.965)	30.5(1.201)	24.5(.965)	9
10-12	32.0(1.260)	28.40(1.118)	32.5(1.280)	38.5(1.516)	32.5(1.280)	7
13-15	44.0(1.732)	40.40(1.591)	44.5(1.752)	50.5(1.988)	44.5(1.752)	5



WIDTH : 32.44 mm Carrier



WIDTH : 16.24 mm Carrier

RoHS Compliant

SYM	NAME	DATE	REVISIONS	APPROVED BY:	Eisley	12/25-23'
6	Jack	12/25-23'	ECNT123179/ECRB123029			
5	Sun	8/15-19'	ECNT119210	DRAWN BY:	Jack	12/25-23'
4	Karen	12/09-14'	ECNT114252/ECRT114090	ENGINEER:	Sun	12/25-23'
3	Ellie	9/24-14'	ECNT114210	CHECKED BY:	Eisley	12/25-23'

TITLE:	1.25MM(.049")
	RIGHT ANGLE SMT TYPE HEADER
MATERIAL:	
FINISH:	

 东莞市溪榜电子有限公司 DONG GUAN XI BANG ELECTRONI CS CO., LTD.			
DRAWING NO.	CI4447SG	PART NO.	CI44**M**H**-NH
SCALE		SHEET	2 OF 2