

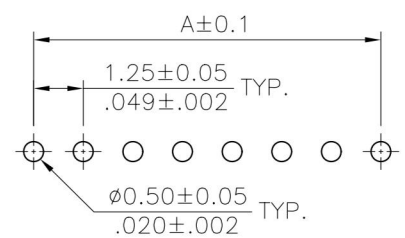
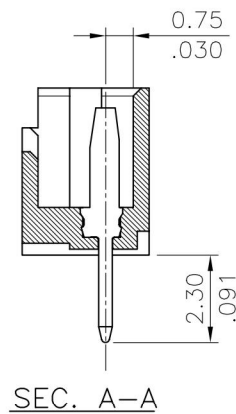
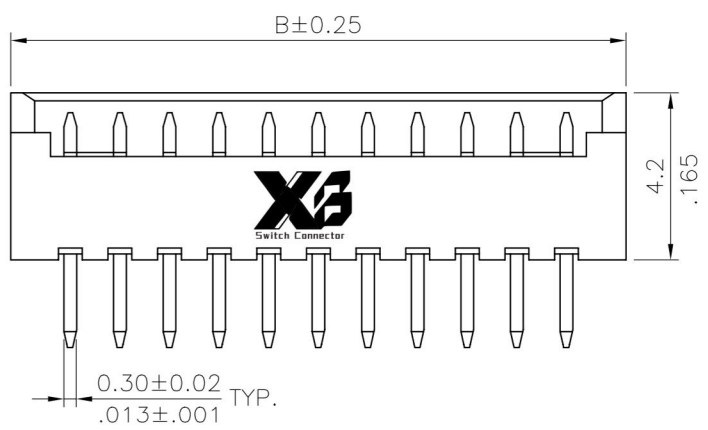
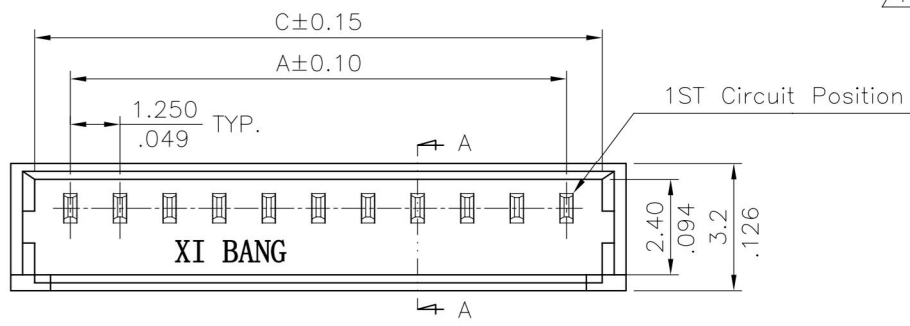
ORDERING CODE:

CI44 ** P 1 V 00
 ① ② ③ ④ ⑤ ⑥

- ① SERIES NO.:
- ② NO. OF CIRCUITS: 02 TO 15
- ③ CONTACTS TYPE: P= Plug
- ④ PLATING OPTION:
1= Tin over Nickel plated
- ⑤ TAIL STYLE: V= STRAIGHT
- ⑥ OPTION: 00= STANDARD

Note:

- * Material :
Insulation: Nylon 46+40% G.F UL 94V-0
Color Nature(Ivory)
Contact : Phosphor Bronze
- * Recommended mating part:
Housing : CI44**S0000
Terminal : CI44T011PPO




Recommended P.C. Board Layout

Circuits	Dimension		
	A	B	C
2	1.25(.049)	4.35(.171)	3.15(.124)
3	2.50(.098)	5.6(.220)	4.40(.173)
4	3.75(.148)	6.85(.270)	5.65(.222)
5	5.00(.197)	8.1(.319)	6.90(.272)
6	6.25(.246)	9.35(.368)	8.15(.321)
7	7.50(.295)	10.6(.417)	9.40(.370)
8	8.75(.344)	11.85(.467)	10.65(.419)
9	10.00(.394)	13.1(.516)	11.90(.469)
10	11.25(.443)	14.35(.565)	13.15(.518)
11	12.50(.492)	15.6(.614)	14.40(.567)
12	13.75(.541)	16.85(.663)	15.65(.616)
13	15.00(.591)	18.1(.713)	16.90(.665)
14	16.25(.640)	19.35(.762)	18.15(.715)
15	17.50(.689)	20.6(.811)	19.40(.764)

Tin-Lead Process

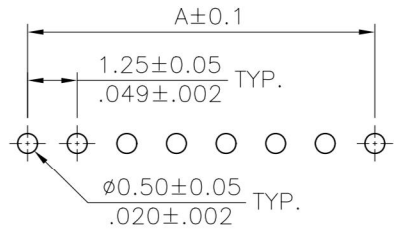
RoHS Compliant

4					DATE	UNIT: mm / inch	TITLE: 1.25MM(.049") STRAIGHT HEADER	 东莞市溪榜电子有限公司 DONG GUAN XI BANG ELECTRONI CS CO., LTD.
3				DRAWN BY: Eager	02/27-07'	TOLERANCE UNLESS OTHERWISE SPECIFIED	MATERIAL:	
2				ENGINEER: Eisley	03/01-07'	.X ± 0.25/.010 X' ± 1'	FINISH:	DRAWING NO. CI4403SG PART NO. CI44**P1V00
1	Eager	02/13-07'	ECR07015-0/ECN07050	CHECKED BY: David	03/01-07'	.XX ± 0.15/.006 X' ±		SCALE 5 / 1
SYM	NAME	DATE	REVISIONS	APPROVED BY: Alex	03/01-07'	.XXX ± 0.08/.003 .XX ±		

ORDERING CODE:

CI44 ** P 1 V 00 -LF
 ① ② ③ ④ ⑤ ⑥ ⑦

- ① SERIES NO.:
- ② NO. OF CIRCUITS: 02 TO 15
- ③ CONTACTS TYPE: P= Plug
- ④ PLATING OPTION:
1= Matte Tin over Nickel plated
- ⑤ TAIL STYLE: V= Straight
- ⑥ OPTION: 00= Standard
- ⑦ OTHER OPTION:
LF= For Leadfree IR Processes



Recommended P.C. Board Layout



Note:

* Material :

Insulation:

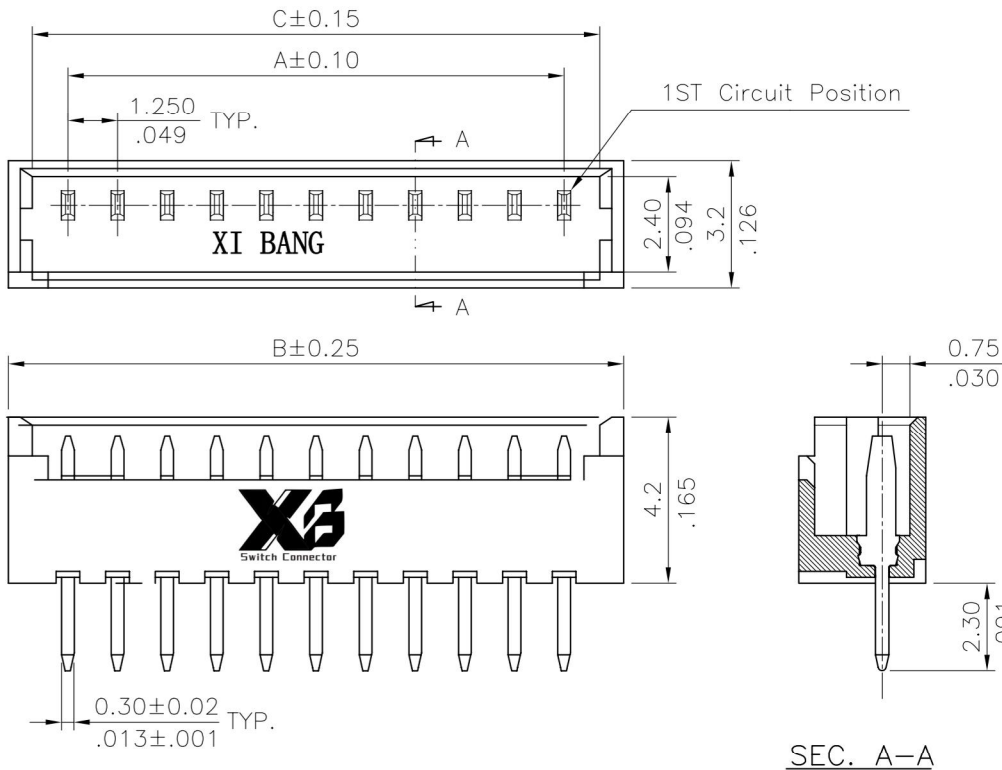
Nylon 46+40% G.F UL 94V-0
Color Nature(Ivory)

Contact : Phosphor Bronze

* Recommended mating part:

Housing : CI44**S0000

Terminal : CI44T011PPO



Circuits	Dimension		
	A	B	C
2	1.25(.049)	4.35(.171)	3.15(.124)
3	2.50(.098)	5.6(.220)	4.40(.173)
4	3.75(.148)	6.85(.270)	5.65(.222)
5	5.00(.197)	8.1(.319)	6.90(.272)
6	6.25(.246)	9.35(.368)	8.15(.321)
7	7.50(.295)	10.6(.417)	9.40(.370)
8	8.75(.344)	11.85(.467)	10.65(.419)
9	10.00(.394)	13.1(.516)	11.90(.469)
10	11.25(.443)	14.35(.565)	13.15(.518)
11	12.50(.492)	15.6(.614)	14.40(.567)
12	13.75(.541)	16.85(.663)	15.65(.616)
13	15.00(.591)	18.1(.713)	16.90(.665)
14	16.25(.640)	19.35(.762)	18.15(.715)
15	17.50(.689)	20.6(.811)	19.40(.764)

RoHS Compliant

④					DATE	UNIT: mm / inch	TITLE: 1.25MM(.049") STRAIGHT HEADER	东莞市溪榜电子有限公司 DONG GUAN XI BANG ELECTRONI CS CO., LTD.
③				DRAWN BY: Eager	02/27-07'	TOLERANCE UNLESS OTHERWISE SPECIFIED	MATERIAL:	
②				ENGINEER: Eisley	03/01-07'	.X ± 0.25/.010 .X' ± 1'	FINISH:	DRAWING NO. CI4430SB PART NO. CI44**P1V00-LF
①	Eager	02/13-07'	ECRO7015-0/ECNO7050	CHECKED BY: David	03/01-07'	.XX ± 0.15/.006 .X' ±		SCALE 5 / 1
SYM	NAME	DATE	REVISIONS	APPROVED BY: Alex	03/01-07'	.XXX ± 0.08/.003 .XX' ±		

ORDERING CODE:

CI44 ** P 1 V 00 -NH
 ① ② ③ ④ ⑤ ⑥ ⑦

Note:

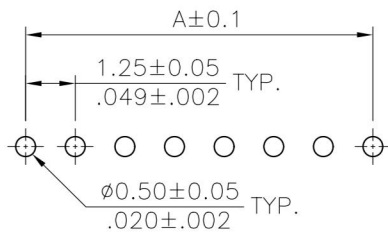
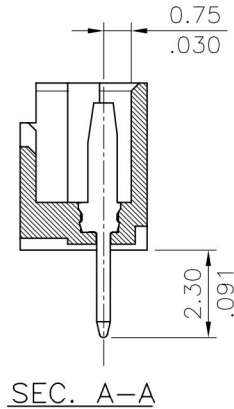
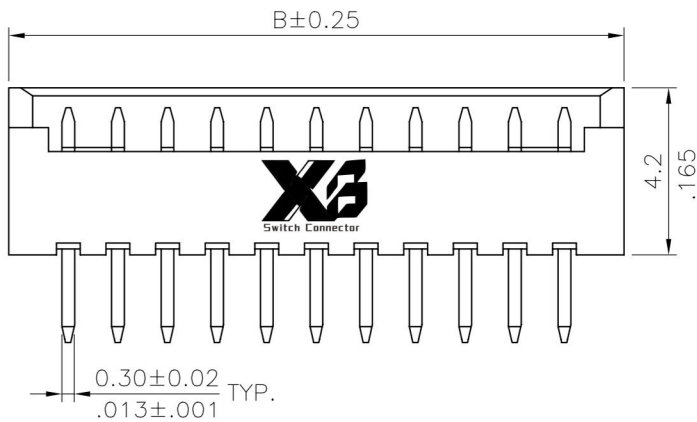
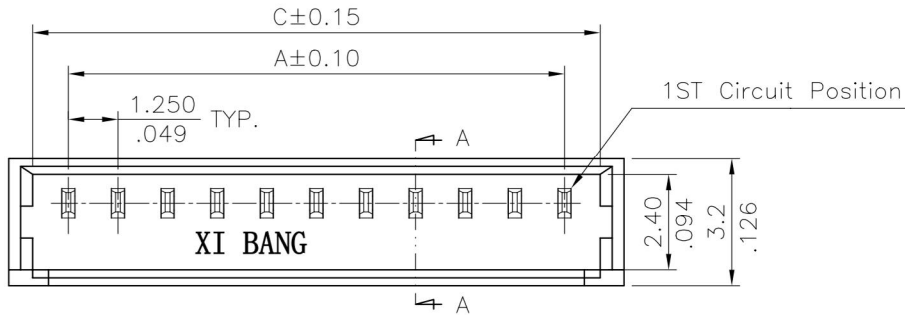
* Material :

Insulation:
 Nylon 6T+30% G.F UL 94V-0
 Color Nature
 Contact : Phosphor Bronze

* Recommended mating part:

Housing : CI44**S0000
 Terminal : CI44T011PP0


- ① SERIES NO.:
- ② NO. OF CIRCUITS: 02 TO 15
- ③ CONTACTS TYPE: P= Plug
- ④ PLATING OPTION:
 1= Matte Tin Plated over Nickel
- ⑤ TAIL STYLE: V= STRAIGHT
- ⑥ OPTION: 00= STANDARD
- ⑦ Process:
 -NH= For Lead Free IR Processes
 and Halogen-Free



Recommended P.C. Board Layout

Circuits	Dimension		
	A	B	C
2	1.25(.049)	4.35(.171)	3.15(.124)
3	2.50(.098)	5.6(.220)	4.40(.173)
4	3.75(.148)	6.85(.270)	5.65(.222)
5	5.00(.197)	8.1(.319)	6.90(.272)
6	6.25(.246)	9.35(.368)	8.15(.321)
7	7.50(.295)	10.6(.417)	9.40(.370)
8	8.75(.344)	11.85(.467)	10.65(.419)
9	10.00(.394)	13.1(.516)	11.90(.469)
10	11.25(.443)	14.35(.565)	13.15(.518)
11	12.50(.492)	15.6(.614)	14.40(.567)
12	13.75(.541)	16.85(.663)	15.65(.616)
13	15.00(.591)	18.1(.713)	16.90(.665)
14	16.25(.640)	19.35(.762)	18.15(.715)
15	17.50(.689)	20.6(.811)	19.40(.764)

Halogen-Free
 Lead Free Process
 RoHS Compliant

4					DATE	UNIT: mm / inch	TITLE: 1.25MM(.049") STRAIGHT HEADER	 东莞市溪榜电子有限公司 DONG GUAN XI BANG ELECTRONICS CO., LTD.
3				DRAWN BY: Hank	7/29-08'	TOLERANCE UNLESS OTHERWISE SPECIFIED	MATERIAL:	
2				ENGINEER: Eisley	7/29-08'	.X ± 0.25/010 X' ± 1'		
1				CHECKED BY: David	7/29-08'	.XX ± 0.15/006 X' ±	FINISH:	
SYM	NAME	DATE	REVISIONS	APPROVED BY: Alex	7/29-08'	.XXX ± 0.08/003 .XX' ±		DRAWING NO. CI4454SA PART NO. CI44**P1V00-NH
								SCALE 5 / 1 SHEET 1 OF 1