

NOTE:

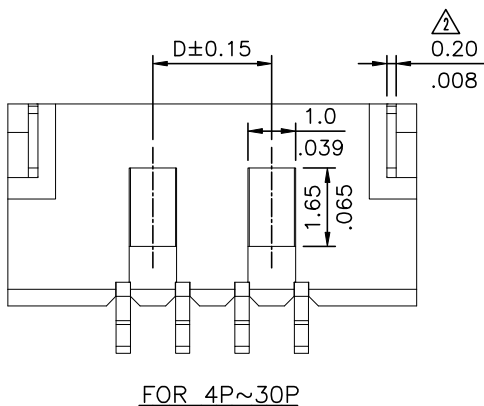
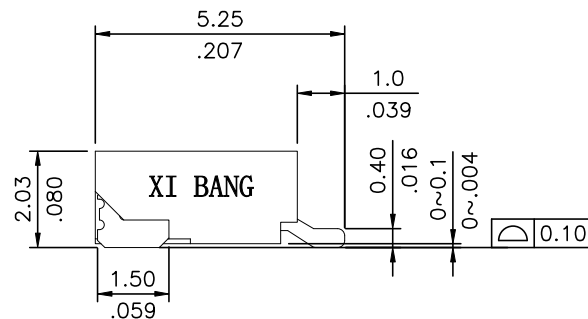
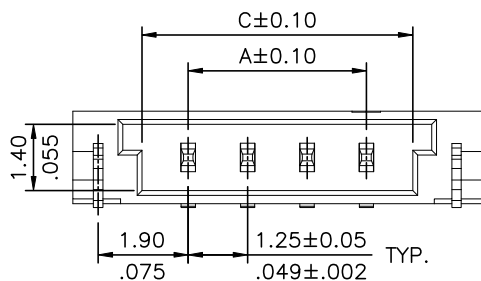
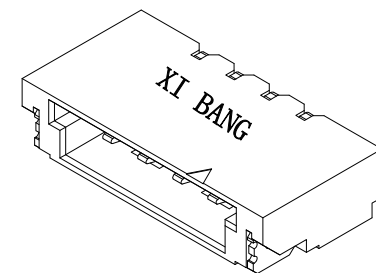
Material :

- * Base : High Temperature plastic UL 94V-0
Color Black
- * Contact : Copper alloy
- * Fixed tab : Matte Tin plated over Nickel

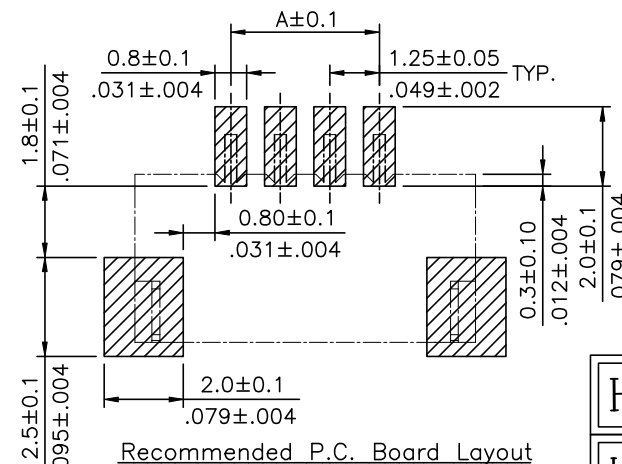
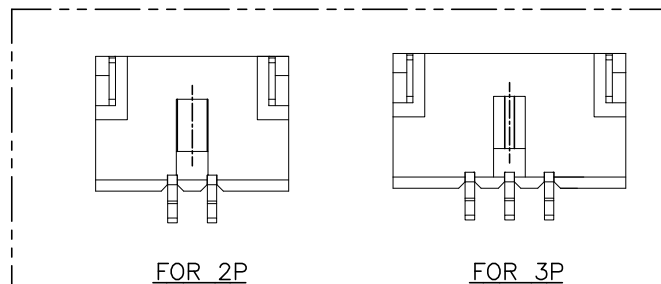
ORDERING CODE

CI43 ** M * H * 0 -NH
 ① ② ③ ④ ⑤ ⑥ ⑦ ⑧

- ① Series No.
- ② Contact: 02 to 30
- ③ M= SMT Type Header
- ④ Plating :
 1= 3.05μm(120μ") Min. Matte Tin
 over 1.27μm(50μ") Nickel
 2= Gold flash plated over 1.27μm(50μ") Nickel
- ⑤ Type : H= Side entry
- ⑥ Packing option:
 R= Tape & Reel Packing
- ⑦ Other option: 0= Standard
- ⑧ -NH= For Lead Free IR Reflow Processes and Halogen-Free



DIM. A = 1.25 x NO. OF SPACES
 DIM. B = DIM. A + 4.85
 DIM. C = DIM. A + 1.95
 DIM. D = DIM. A - 1.25
 * AVAILABLE IN 2 THROUGH 30



Halogen-Free

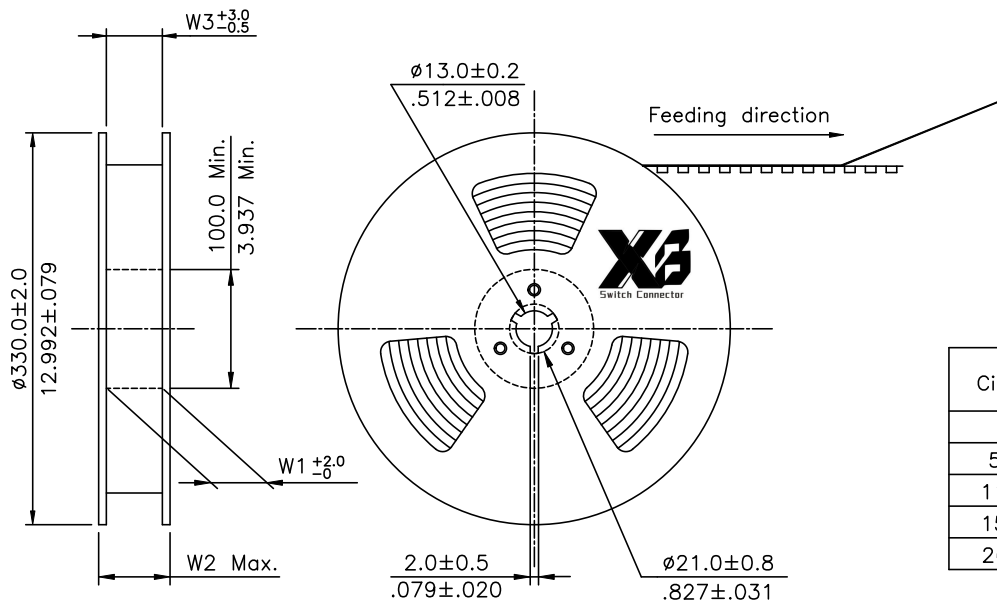
Lead Free Process

RoHS Compliant

④					DATE	UNIT: mm / inch
③	Sun	11/10-23	ECRQ123013/ECNT123260	DRAWN BY:	Sun 11/10-23'	TOLERANCE UNLESS OTHERWISE SPECIFIED
②	Sun	9/02-19'	ECNT119236	ENGINEER:	Sun 11/10-23'	.X ± 0.30/.012 X' ± 1'
①	Enya	8/30-12'	ECR12043-2/ECN12209-0	CHECKED BY:	Eisley 11/10-23'	.XX ± 0.20/.008 .X' ±
SYM	NAME	DATE	REVISIONS	APPROVED BY:	Eisley 11/10-23'	.XXX ± 0.10/.004 .XX' ±

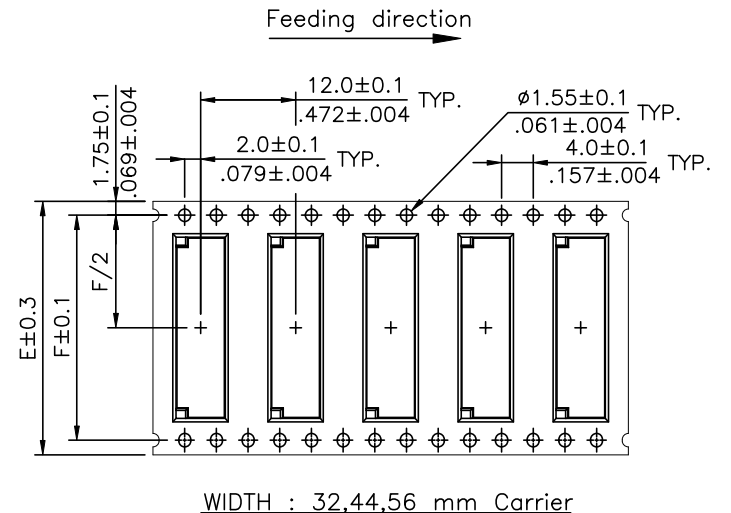
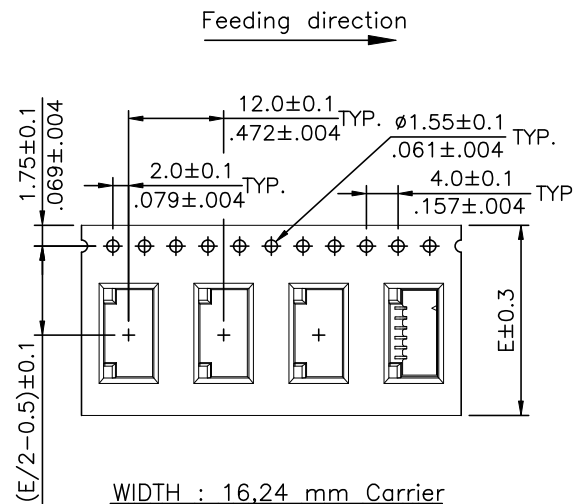
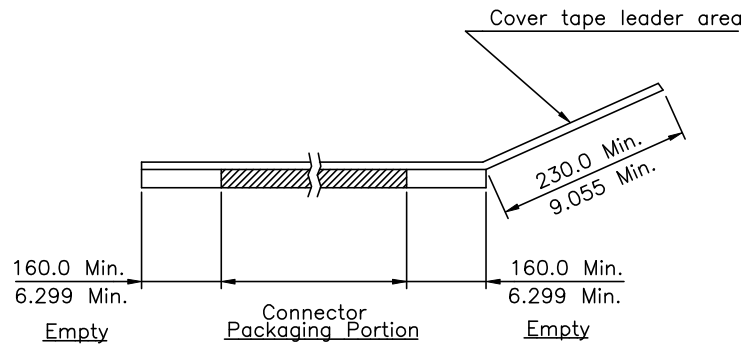
TITLE:	1.25mm Pitch WTB SMT R/A TYPE
MATERIAL:	
FINISH:	

东莞市溪榜电子有限公司 DONG GUAN XI BANG ELECTRONICS CO., LTD.			
DRAWING NO.	CI4301SD	PART NO.	CI43**M*H*0-NH
SCALE	6 / 1	SHEET	1 OF 2



- NOTE :
- ⚠ * Reel Material : HIPS
 - * Carrier Material : Black, Polystyrene alloy (Thickness : 0.30±0.05mm.)
 - * Cover Tape Material : Polyester
 - * Cover Tape Peel Strength : 0.1N – 1.3N
 - * Carrier camber is within 1 mm in 250 mm.
 - * 10 sprocket hole pitch cumulative tolerance ±0.20
 - * All dimensions meet EIA-481 requirements.
 - ⚠ * Quantity : 2400 PCS/Reel

Circuits	Dimension					Packing (Reel/Carton)
	E	F	W1	W2	W3	
2~4	16.0(.630)	—	16.5(.650)	22.5(.885)	16.5(.650)	11
5~10	24.0(.945)	—	24.5(.965)	30.5(1.200)	24.5(.965)	9
11~14	32.0(1.260)	28.40(1.118)	32.5(1.280)	38.5(1.516)	32.5(1.280)	7
15~25	44.0(1.732)	40.40(1.591)	44.5(1.752)	50.5(1.988)	44.5(1.752)	5
26~30	56.0(2.204)	52.40(2.603)	56.5(2.224)	62.5(2.461)	56.5(2.224)	4



RoHS Compliant

SYM	NAME	DATE	REVISIONS	APPROVED BY:	Eisley	11/10-23'	UNIT: mm / inch	TITLE: 1.25mm Pitch WTB SMT R/A TYPE	MATERIAL:	FINISH:	DRAWING NO. CI4301SD	PART NO. CI43**M*H*0-NH	SCALE	SHEET 2 OF 2
4				DATE			UNIT: mm / inch	TITLE: 1.25mm Pitch WTB SMT R/A TYPE						
3	Sun	11/10-23	ECRQ123013/ECNT123260	DRAWN BY:	Sun	11/10-23'	TOLERANCE UNLESS OTHERWISE SPECIFIED							
2	Sun	9/02-19'	ECNT119236	ENGINEER:	Sun	11/10-23'	.X ±	X' ± 1'						
1	Enya	8/30-12'	ECR12043-2/ECN12209-0	CHECKED BY:	Eisley	11/10-23'	.XX ±	.X' ±						
				APPROVED BY:	Eisley	11/10-23'	.XXX ±	.XX' ±						

X3 东莞市溪榜电子有限公司
Switch Connector DONG GUAN XI BANG ELECTRONICS CO., LTD.