

Note:

1. Material:

\* Insulation: LCP UL 94V-0, Color Black

\* Contact: Brass with Matte Tin Plated

Ordering Code:

CI39 \*\* M 1 V R 0 - NH  
 ① ② ③ ④ ⑤ ⑥ ⑦ ⑧

① Series No.

② No. of Circuits:

③ Contacts Type: M=SMT

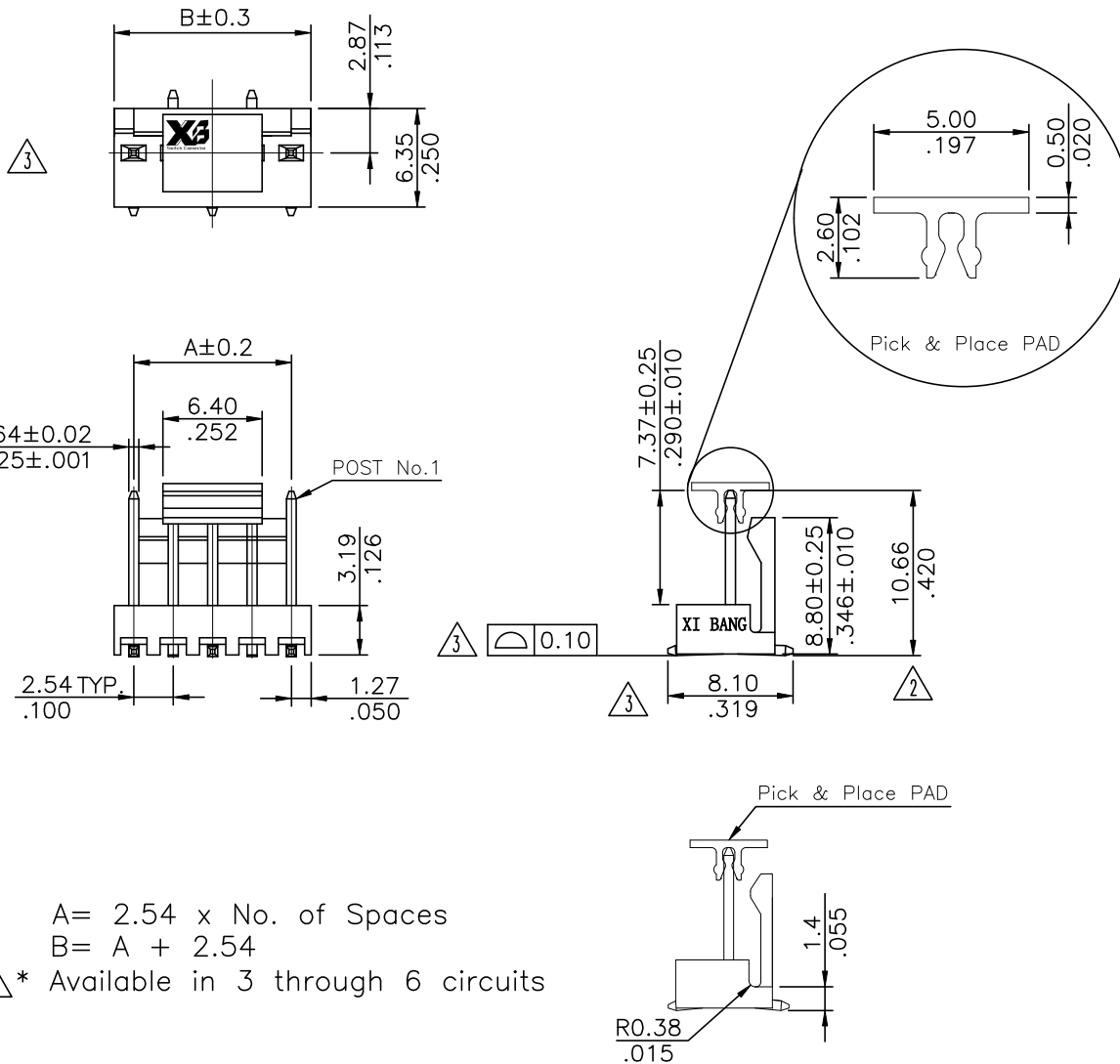
④ Plating: 1= Matte Tin over Nickel

⑤ V = Straight Type

⑥ Packing option: R=Tape & Reel with pad

⑦ Option: 0 = Standard

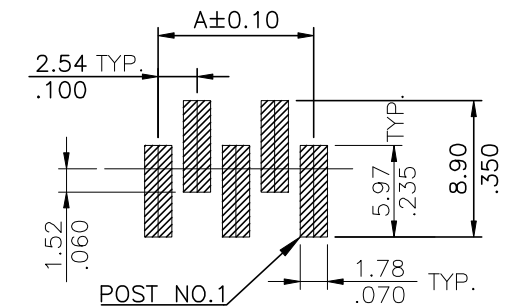
⑧ -NH= For Lead Free IR Reflow Process and Halogen-Free



A = 2.54 x No. of Spaces

B = A + 2.54

② \* Available in 3 through 6 circuits



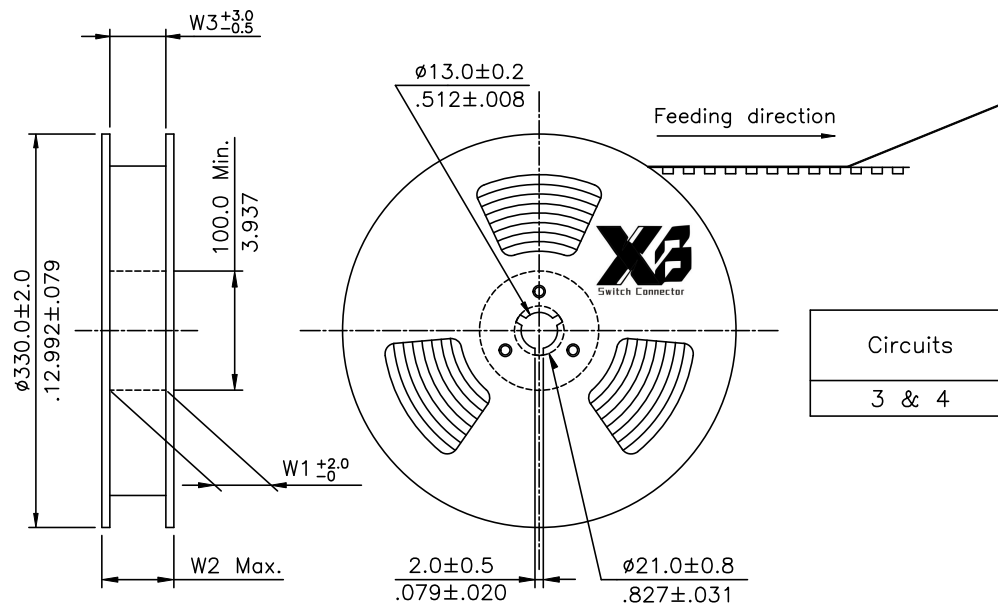
Recommended P.C. Board Layout

Halogen-Free

Lead Free Process

RoHS Compliant

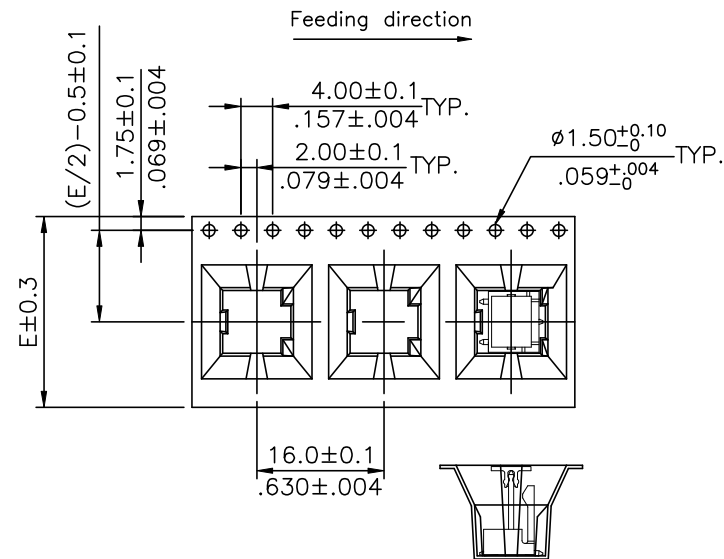
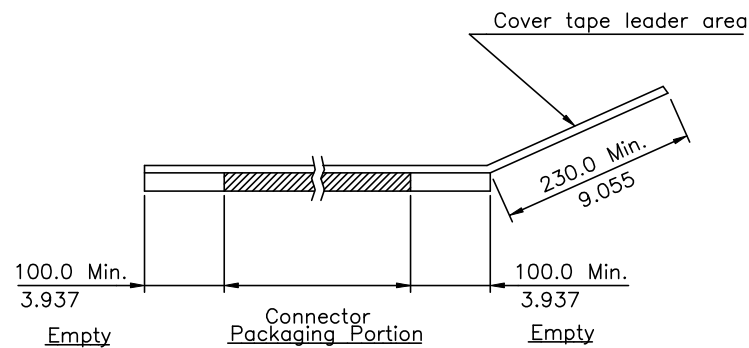
④	Jack	12/28-23'	ECNT123179/ECRB123029		DATE	UNIT: mm / inch	TITLE: 2.54MM(.100") CRIMP STYLE CONN.	
③	Jessie	5/24-23'	ECRD123031/ECNT123114	DRAWN BY: Jack	12/28-23'	TOLERANCE UNLESS OTHERWISE SPECIFIED	MATERIAL:	
②	Karen	01/04-21'	ECNT121003/ECRT120092	ENGINEER: Sun	12/28-23'	.X ± 0.30/.012 X.* ± 1"	DRAWING NO. CI3901SD PART NO. CI39**M1VR0-NH	
①	Karen	11/19-19'	ECNT119321/ECRS119005	CHECKED BY: Eisley	12/28-23'	.XX ± 0.20/.008 .X.* ±		
SYM	NAME	DATE	REVISIONS	APPROVED BY: Eisley	12/28-23'	.XXX ± 0.10/.004 .XX.* ±		



4 NOTES:

1. Reel Material : HIPS
2. 10 sprocket hole pitch cumulative tolerance  $\pm 0.20$
3. Carrier camber is within 1 mm in 250 mm.
4. Material :Transparent ps.
5. All dimensions meet EIA-481 requirements.
6. Thickness :  $0.50 \pm 0.05$ mm
7. Quantity : 300 pcs.

Circuits	Dimension					Packing (Reel/Carton)
	E	F	W1	W2	W3	
3 & 4	24.0(.945)	-	24.5(.965)	30.5(1.201)	24.5(.965)	11



3 1 WIDTH : 24 mm Carrier

RoHS Compliant

SYM	NAME	DATE	REVISIONS	APPROVED BY:	DATE	UNIT: mm / inch	TITLE: 0.50mm(.031") ZIF FFC/FPC DOWNSIDE CONTACT SLIM SURFACE MOUNT CONNECTOR	MATERIAL:	FINISH:	DRAWING NO.	C13901SD	PART NO.	C139**M1VR0-NH	SHEET	2	OF	2
4	Jack	12/28-23'	ECNT123179/ECRB123029		DATE	UNIT: mm / inch	TITLE: 0.50mm(.031") ZIF FFC/FPC DOWNSIDE CONTACT SLIM SURFACE MOUNT CONNECTOR										
3	Jessie	5/08-23'	ECRD123031/ECNT123114	DRAWN BY:	Jack	12/28-23'	TOLERANCE UNLESS OTHERWISE SPECIFIED										
2	Karen	01/04-21'	ECNT121003/ECRT120092	ENGINEER:	Sun	12/28-23'	.X ±	X' ± 1'									
1	Karen	11/19-19'	ECNT119321/ECRS119005	CHECKED BY:	Eisley	12/28-23'	.XX ±	.X' ±									
				APPROVED BY:	Eisley	12/28-23'	.XXX ±	.XX' ±									

**XB** 东莞市溪榜电子有限公司  
DONG GUAN XI BANG ELECTRONICS CO., LTD.