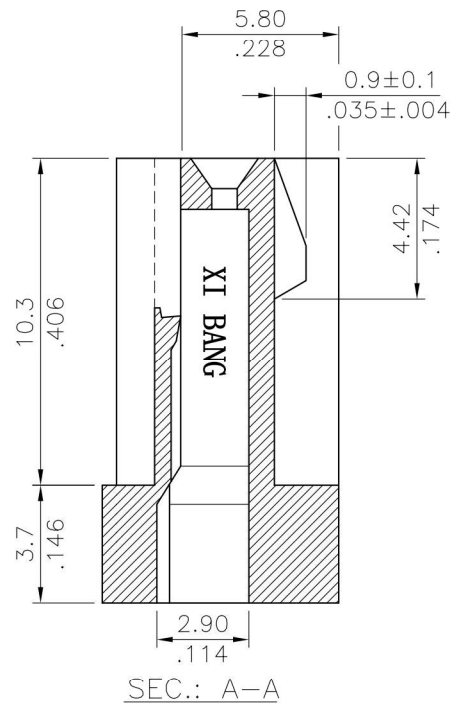
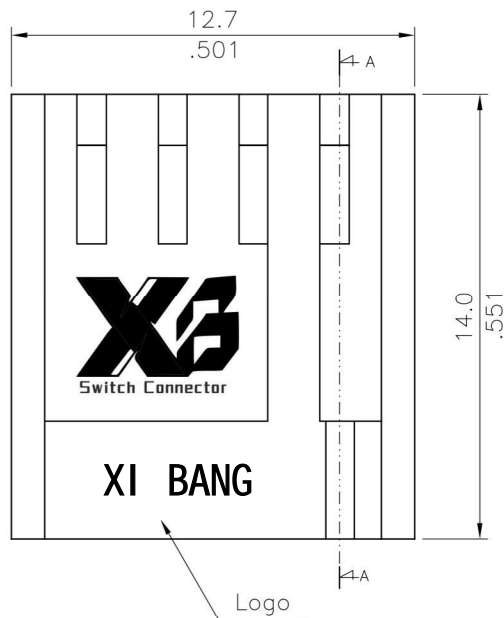


Bottom View



SEC.: A-A

* Material: Nylon 66 UL 94V-0

Ordering Code:

CI35 04 S 00 * 0
 ① ② ③ ④ ⑤ ⑥

- ① Series No.
- ② No. of Circuits
- ③ S00= Connector housing
- ④ Rib option:
00= Single Rib
- ⑤ Color option:
0= Color Nature
1= Color Black
- ⑥ Other option:
0= Standard

Halogen-Free

RoHS Compliant

SYM	NAME	DATE	REVISIONS	APPROVED BY:	DATE	UNIT: mm / inch	TITLE: 2.54MM(.100") WIRE TO BOARD CONNECTOR
④					DATE	UNIT: mm / inch	TITLE: 2.54MM(.100") WIRE TO BOARD CONNECTOR
③				DRAWN BY: Sandy	12/28-05'	TOLERANCE UNLESS OTHERWISE SPECIFIED	MATERIAL:
②				ENGINEER: Easley	12/30-05'	.X ± 0.30/.012 X' ± 1'	FINISH:
①	Sandy	12/28/05'	ECN05445	CHECKED BY: David	12/30-05'	.XX ± 0.20/.008 .X' ±	
				APPROVED BY: David	12/30-05'	.XXX ± .XX' ±	

XB 东莞市溪榜电子有限公司
 Switch Connector DONG GUAN XI BANG ELECTRONICS CO., LTD.

DRAWING NO.	CI3501SE	PART NO.	CI3504S00*0
SCALE	4 / 1	SHEET	1 OF 1