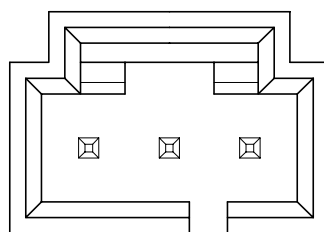
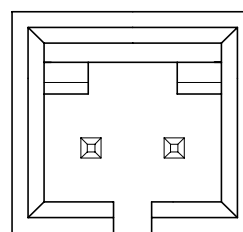


For 4 Through 12 Circuits



For 3 Circuits



For 2 Circuits

Material:

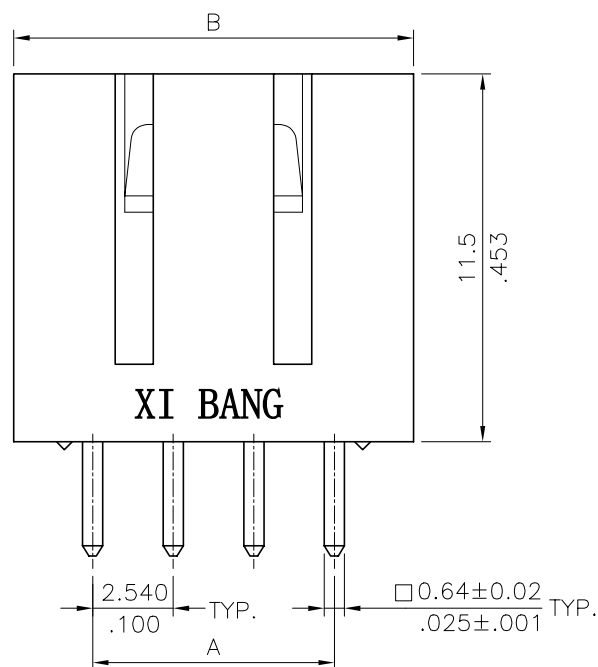
* Insulation: Glass filled polyester UL 94V-0

* Contact: Brass

Ordering Code:

CI33 ** P 1 V 1 0
 ① ② ③ ④ ⑤ ⑥ ⑦

- ① Series No.
- ② No. of Circuits
- ③ Contact type: P= Pin header
- ④ Plating option:
 - 1= 3.05 μ m(120 μ ") Min. Tin over 0.76 μ m(30 μ ") Nickel
 - 2= Gold flash plated over 1.27 μ m(50 μ ") Nickel
 - 3= 0.38 μ m(15 μ ") Gold plated over 1.27 μ m(50 μ ") Nickel
 - 4= 0.76 μ m(30 μ ") Gold plated over 1.27 μ m(50 μ ") Nickel
- ⑤ Tail Style: V= Straight
- ⑥ Color: 1= Black
- ⑦ Option:

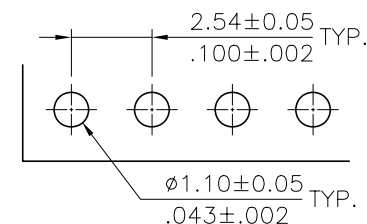
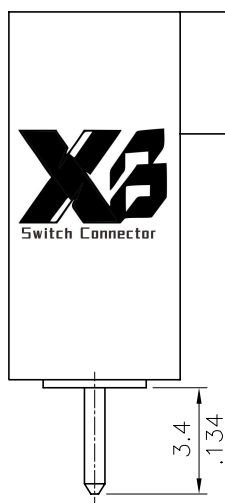


A = 2.54 x No. of Spaces

B = A + 5.1


C = A + 2.98

* Available in 2 through 18 circuits



Recommended P.C. Board Layout

RoHS Compliant

④					DATE	UNIT: mm / inch	TITLE: 2.54MM(.100") STRAIGHT PIN HEADER	 东莞市溪榜电子有限公司 DONG GUAN XI BANG ELECTRONI CS CO., LTD.
③				DRAWN BY: Eisley	07/29-02'	TOLERANCE UNLESS OTHERWISE SPECIFIED	MATERIAL:	
②				ENGINEER: David	07/29-02'	.X ± 0.30/.012 X' ± 1'		
①				CHECKED BY: David	07/29-02'	.XX ± 0.20/.008 X' ±	FINISH:	
SYM	NAME	DATE	REVISIONS	APPROVED BY: Alex	07/30-02'	.XXX ± 0.10/.004 XX' ±	SCALE	DRAWING NO. CI3303SE PART NO. CI33**P*V10
								SCALE 4 / 1 SHEET 1 OF 1