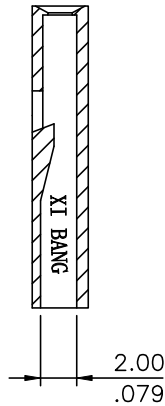
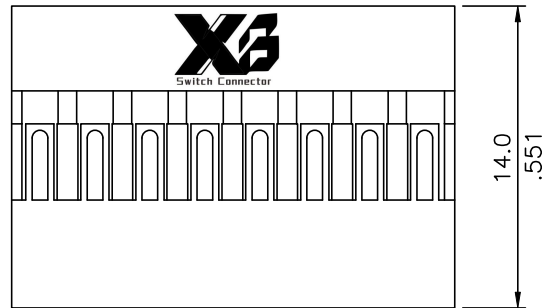
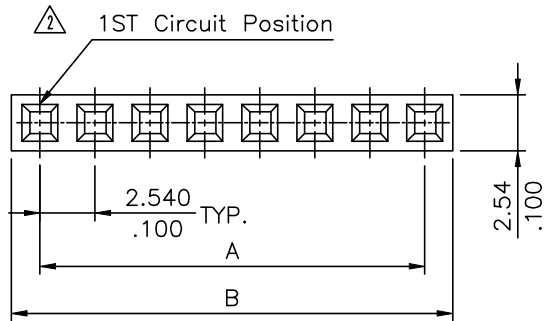



△ \* Material:  
Noryl UL 94V-1, Color Black



Circuits	Dimension	
	A	B
1	-	2.8(.110)
2	2.54(.100)	5.3(.209)
3	5.08(.200)	7.8(.307)
4	7.62(.300)	10.4(.410)
5	10.16(.400)	12.9(.508)
6	12.70(.500)	15.4(.606)
7	15.24(.600)	18.0(.709)
8	17.78(.700)	20.5(.807)
9	20.32(.800)	23.1(.909)
10	22.86(.900)	25.6(1.008)
11	25.40(1.000)	28.1(1.106)
12	27.94(1.100)	30.7(1.209)

RoHS Compliant

△4	Sun	3/11-24'	ECNT124004/ECRT123086		DATE	UNIT: mm / inch	TITLE: 2.54MM(.100")	 <b>东莞市溪榜电子有限公司</b> DONG GUAN XI BANG ELECTRONI CS CO., LTD.
△3	Karen	11/30-11'	ECN11120/ECR10186-0	DRAWN BY:	Sun	3/11-24'	SINGLE ROW CRIMP TERMINAL HOUSING	
△2	Sandy	11/10-10'	ECN10365	ENGINEER:	Sun	3/11-24'	MATERIAL:	DRAWING NO. CI3201SE PART NO. CI32**S0010 SCALE 3 / 1 SHEET 1 OF 1
△1	Sandy	11/16/04'	ECN04457	CHECKED BY:	Eisley	3/11-24'	FINISH:	
SYM	NAME	DATE	REVISIONS	APPROVED BY:	Eisley	3/11-24'		

TOLERANCE UNLESS OTHERWISE SPECIFIED	
.X ± 0.30 / .012	X' ± 1"
.XX ± 0.20 / .008	.X' ±
.XXX ± 0.10 / .004	.XX' ±