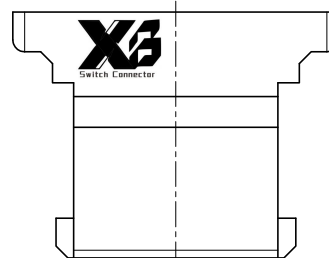
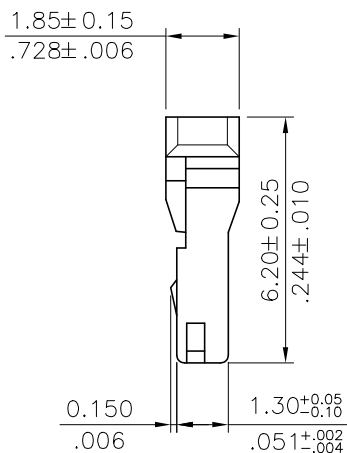
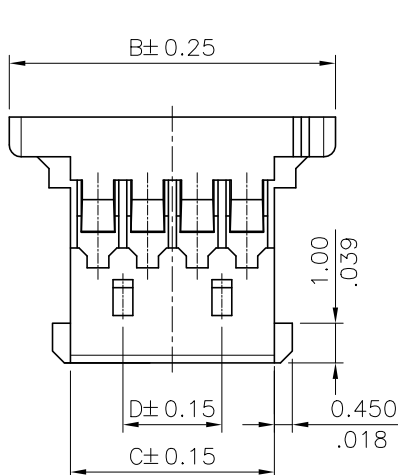


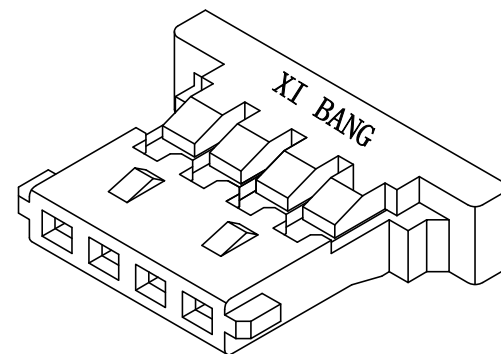
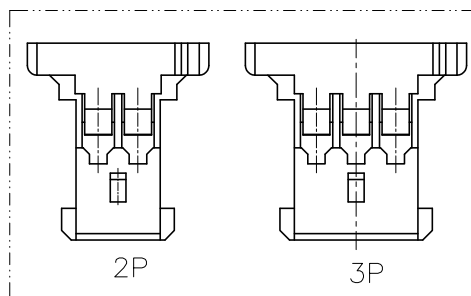
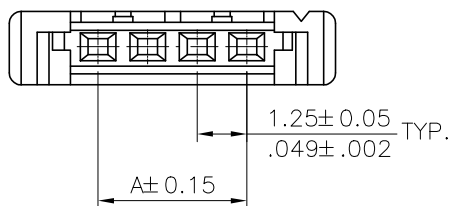
Material:
 NYLON 66 UL 94V-0,
 Color Nature

Ordering Code:
 CI42 ** S L 000
 ① ② ③ ④ ⑤

- ① Series No.
- ② Contact: 02 to 30
- ③ S= Female
- ④ L= With Locking Latch
- ⑤ Option:
 000=Standard(Color Nature)



A = 1.25 * No. of Space
 B = A + 4.47
 C = A + 1.4
 D = A - 1.25



Halogen-Free

RoHS Compliant

④					DATE	UNIT: mm / inch	TITLE:	东莞市溪榜电子有限公司 DONG GUAN XI BANG ELECTRONI CS CO., LTD.	
③				DRAWN BY:	Karen	11/15-12'	CI42 SERIES HOUSING		
②				ENGINEER:	Eisley	11/15-12'	MATERIAL:		
①				CHECKED BY:	Eisley	11/15-12'	FINISH:		
SYM	NAME	DATE	REVISIONS	APPROVED BY:	David	11/15-12'			
							TOLERANCE UNLESS OTHERWISE SPECIFIED	DRAWING NO. CI4208SA	PART NO. CI42**SL000
							.X ± 0.25/.095 X' ± 1'	SCALE 5/1	SHEET 1 OF 1
							.XX ± 0.15/.006 .X' ±		
							.XXX ± 0.08/.003 .XX' ±		