

Material:

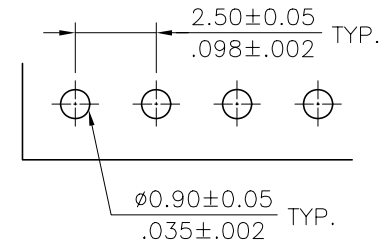
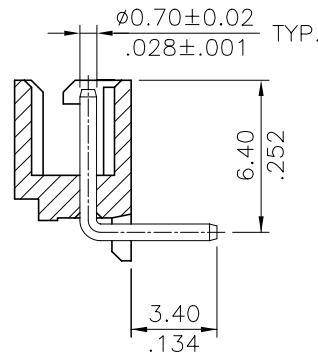
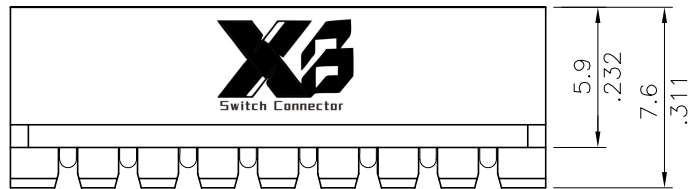
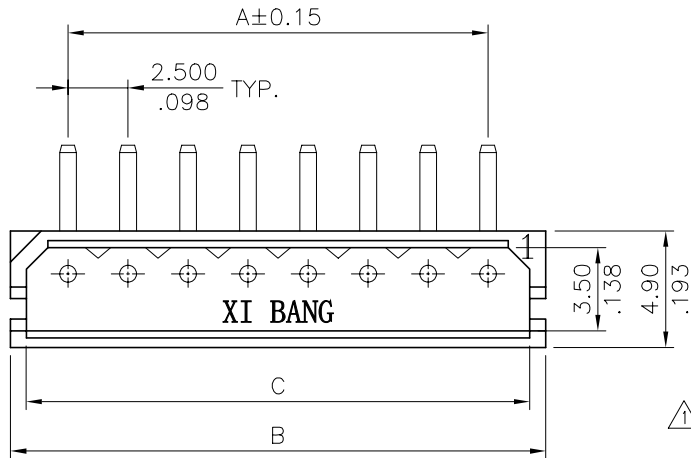
- * Insulation: Nylon 66 UL 94V-2, Color Ivory
- * Contact: Brass, round pins

Ordering Code:

CI25 ** P 1 H 00
 ① ② ③ ④ ⑤ ⑥

- ① Series No.
- ② No. of Circuits
- ③ Contact type: P= Pin header
- ④ Plating option:
 1= 3.05μm(120μ") Tin
 over 0.76μm(30μ") Nickel
- ⑤ Tail Style: H= Right Angle
- ⑥ Option: 00= Standard

Circuits	Dimension		
	A	B	C
2	2.50(.098)	7.5(.295)	6.00(.236)
3	5.00(.197)	10.0(.394)	8.50(.335)
4	7.50(.295)	12.5(.492)	11.00(.433)
5	10.00(.394)	15.0(.591)	13.50(.531)
6	12.50(.492)	17.5(.689)	16.00(.630)
7	15.00(.591)	20.0(.787)	18.50(.728)
8	17.50(.689)	22.5(.886)	21.00(.827)
9	20.00(.787)	25.0(.984)	23.50(.925)
10	22.50(.886)	27.6(1.087)	26.00(1.024)
11	25.00(.984)	30.1(1.185)	28.50(1.122)
12	27.50(1.083)	32.6(1.283)	31.00(1.220)
13	30.00(1.181)	35.1(1.382)	33.50(1.319)
14	32.50(1.280)	37.6(1.480)	36.00(1.417)
15	35.00(1.378)	40.1(1.579)	38.50(1.516)

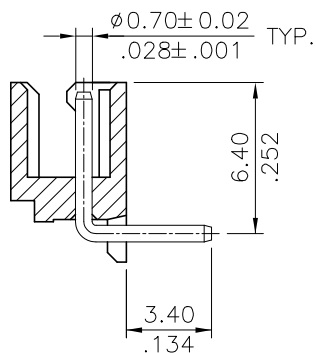
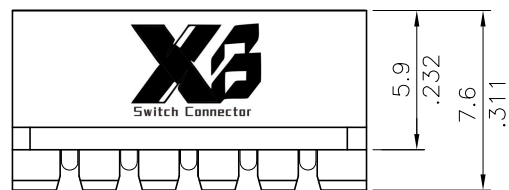
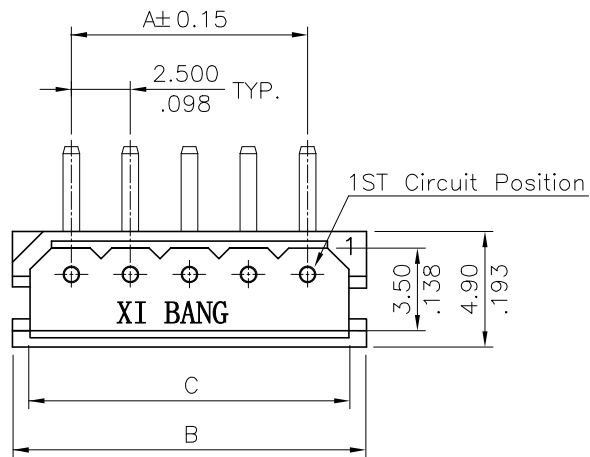


Recommended P.C. Board Layout

Tin-Lead Process RoHS Compliant

SYM	NAME	DATE	REVISIONS	APPROVED BY:	DATE	UNIT: mm / inch	TITLE: 2.50MM(.098") PIGHT ANGLE HEADERS	DRAWING NO. CI2502SG	PART NO. CI25**P1H00	SCALE 3 / 1	SHEET 1 OF 1
④					DATE	UNIT: mm / inch	TITLE: 2.50MM(.098") PIGHT ANGLE HEADERS				
③				DRAWN BY: Bill	8/15-07'	TOLERANCE UNLESS OTHERWISE SPECIFIED .X ± 0.30/.012 .X' ± 1" .XX ± 0.20/.010 .X" ± .XXX ± 0.10/0.04 .XX' ±	MATERIAL:				
②			ENGINEER: Eisley	8/15-07'							
①	Bill	8/10'07	ECR07093-0/ECN07309	CHECKED BY: David	8/15-07'			FINISH:			
				APPROVED BY: Alex	8/15-07'						

XB 东莞市溪榜电子有限公司
 Switch Connector DONG GUAN XI BANG ELECTRONI CS CO., LTD.



DIM. A = 2.50 X No. of Spaces
 DIM. B = DIM. A + 5.00
 DIM. C = DIM. A + 3.60

* Available in 2 through 15 Circuits

Note:

1. Material:

* Insulation: Nylon 6T+30% G.F. UL 94V-0, Color Nature (Halogen-Free)

* Contact: Brass, round pins

2. For Lead Free Wave flow Process

Ordering Code:

CI25 ** P 1 H 00 -NH
 ① ② ③ ④ ⑤ ⑥ ⑦

① Series No.

② No. of Circuits

③ Contact type: P= Pin header

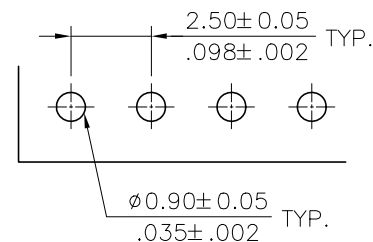
④ Plating option:

1 = 3.05µm(120µ")Matte Tin
 over 0.76µm(30µ") Nickel

⑤ Tail Style: H= Right Angle

⑥ Option: 00= Standard

⑦ -NH= For Lead Free Wave flow Process
 and Halogen-Free




Recommended P.C. Board Layout

Halogen-Free

Lead Free Process

RoHS Compliant

④					DATE	UNIT: mm / inch	TITLE: 2.50MM(.098") RIGHT ANGLE HEADERS	 东莞市溪榜电子有限公司 DONG GUAN XI BANG ELECTRONICS CO., LTD.	DRAWING NO. CI2532SA	PART NO. CI25**P1H00-NH	SHEET 1 OF 1
③				DRAWN BY: Karen	5/24-13'	TOLERANCE UNLESS OTHERWISE SPECIFIED					
②				ENGINEER: Easley	5/27-13'	.X ± 0.30/.012 X' ± 1"					
①				CHECKED BY: Easley	5/27-13'	.XX ± 0.20/.010 .X' ±					
SYM	NAME	DATE	REVISIONS	APPROVED BY: David	5/27-13'	.XXX ± 0.10/0.04 .XX ±	FINISH:	SCALE 3 / 1			