

$A = 2.50 \times \text{No. of Spaces}$   
 $B = A + 5.0$   
 $C = A + 3.5$

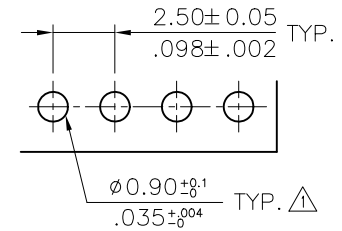
\* Available in 2 through 20 circuits

Note: 1. Material:  
 \* Insulation: Nylon 66 UL 94V-0  
 Color Nature  
 \* Contact: Brass  
 ⚠ 2. For Lead Free Wave Flow Process

Ordering Code:

$\frac{CI22}{①} \frac{**}{②} \frac{P}{③} \frac{*}{④} \frac{V}{⑤} \frac{K0}{⑥}$

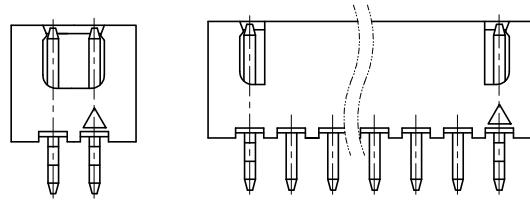
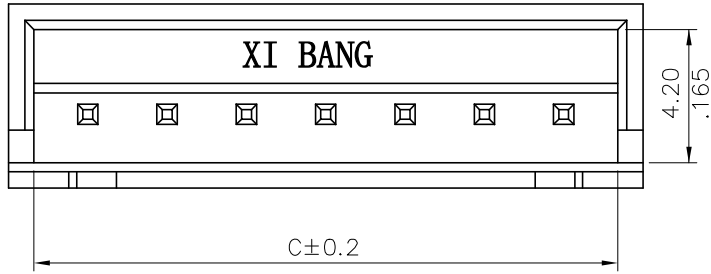
- ① Series No.
- ② No. of Circuits
- ③ Contact type: P= Pin header
- ⚠ ④ Plating option:  
 1= 3.05μm(120μ") Min. Tin  
 over 0.76μm(30μ") Nickel  
 2= Gold flash plated over  
 1.27μm(50μ") Nickel
- ⑤ Type: V= Straight
- ⑥ Other Option: K0= With Pin Kinked



Recommended P.C. Board Layout

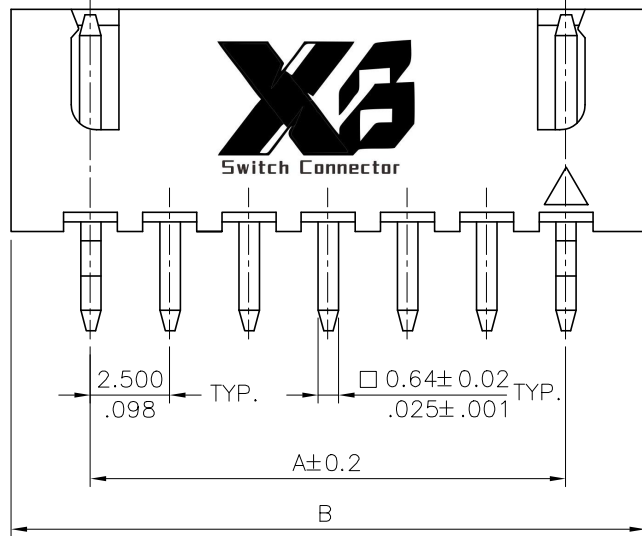
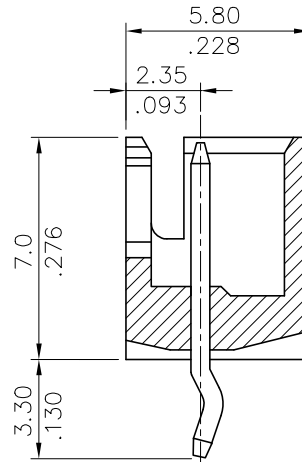
Halogen-Free    Lead Free Process    RoHS Compliant

④	Sun	7/20-17'	ECNT117146/ECRT117041		DATE	UNIT: mm / inch	TITLE: 2.50MM(.098")	<b>东莞市溪榜电子有限公司</b> DONG GUAN XI BANG ELECTRONICS CO., LTD.
③	Enya	3/11-13'	ECN13056-0/ECR13007-1	DRAWN BY:	Sun	7/21-17'	STRAIGHT PIN HEADERS	
②	SUN	3/10/05'	ECN05088	ENGINEER:	Sun	7/21-17'	MATERIAL:	DRAWING NO. CI2202SL    PART NO. CI22**P*VK0
①	SUN	3/05/04'	ECR04007-1/ECN04093	CHECKED BY:	Eisley	7/28-17'	FINISH:	
SYM	NAME	DATE	REVISIONS	APPROVED BY:	Eisley	7/28-17'		SCALE 4 / 1    SHEET 1 OF 1



2P

3P~20P



A = 2.50 x No. of Spaces

B = A + 5.0

C = A + 3.5

\* Available in 2 through 20 circuits

Note:

1. Material:

△\* Insulation: High Temperature Plastic  
UL 94V-0 Color Nature

\* Contact: Brass

2. For Lead Free Wave flow Process

△

Ordering Code:

CI22 \*\* P 1 V K0 - LF  
① ② ③ ④ ⑤ ⑥ ⑦

① Series No.

② No. of Circuits

③ Contact type: P= Pin header

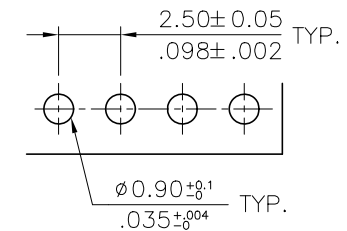
④ Plating option:

1= 3.05μm(120μ") Min. Matte Tin  
plated over 0.76μm(30μ") Nickel

⑤ Type: V= Straight

⑥ Other Option: K0= With Pin Kinked

⑦ LF= For Lead Free Wave flow Process



Recommended P.C. Board Layout

Lead Free Process

RoHS Compliant

△4					DATE	UNIT: mm / inch	TITLE: 2.50MM(.098") STRAIGHT PIN HEADERS	<b>东莞市溪榜电子有限公司</b> DONG GUAN XI BANG ELECTRONICS CO., LTD.	
△3				DRAWN BY: Enya	4/16-13'	TOLERANCE UNLESS OTHERWISE SPECIFIED	MATERIAL:		
△2	Enya	4/16-13'	ECN13075-0/ECR13027-0	ENGINEER: Eisley	4/17-13'	.X ± 0.30/.012 X* ± r	FINISH:	DRAWING NO. CI2229SB	PART NO. CI22**P1VK0-LF
△1	Enya	3/11-13'	ECN13056-0/ECR13007-1	CHECKED BY: Eisley	4/17-13'	.XX ± 0.20/.008 X* ±		SCALE 4 / 1	SHEET 1 OF 1
SYM	NAME	DATE	REVISIONS	APPROVED BY: David	4/17-13'	.XXX ± 0.10/.004 X* ±			