

A = 1.5 * No. of Spaces
 B = A + 4.5
 C = A + 2.1
 * Available in 2 through 15 circuits

| TOLERANCE | | | |
|----------------|-------|-------|--------|
| Dim \ Circuits | 2~6P | 7~10P | 11~15P |
| A | ±0.10 | ±0.15 | ±0.20 |

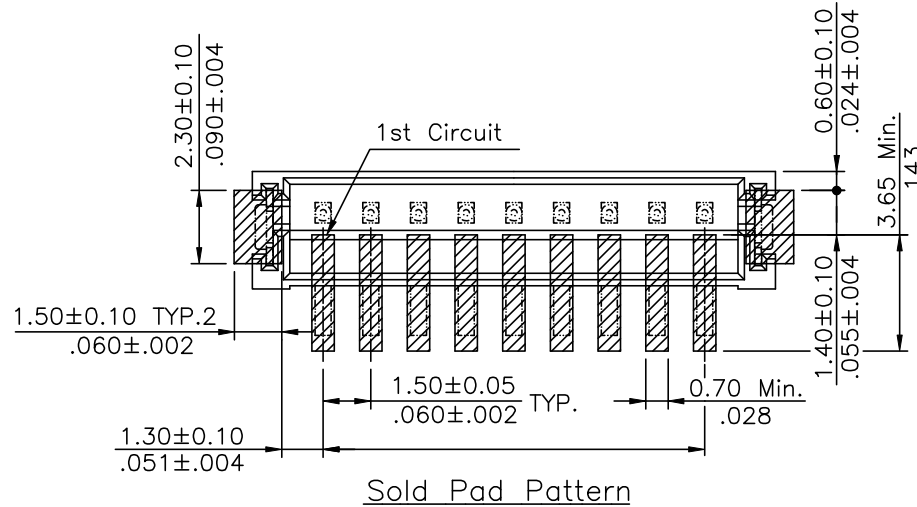
Material:

- * Insulation: High temperature plastic UL 94V-0, Color Nature
- * Contact: Brass with Matte Tin plated
- * TAB: Brass with Matte Tin plated

Ordering Code:

CI15 ** M * V * 0 - NH
 ① ② ③ ④ ⑤ ⑥ ⑦ ⑧

- ① Series No.
- ② No. of Circuits:
- ③ Contacts Type: M=SMT
- ④ Plating: 1= 3.05μm(120μ") Min. Matte Tin over 1.27μm(50μ") Nickel
 2= Gold Flash plated over 1.27μm(50μ") Nickel
- ⑤ V = Straight Type
- ⑥ Packing option: R=Tape & Reel with pad
 T=Tube Packing without pad
- ⑦ Option: 0 = Standard
- ⑧ -NH= For Lead Free IR Processes and Halogen-Free

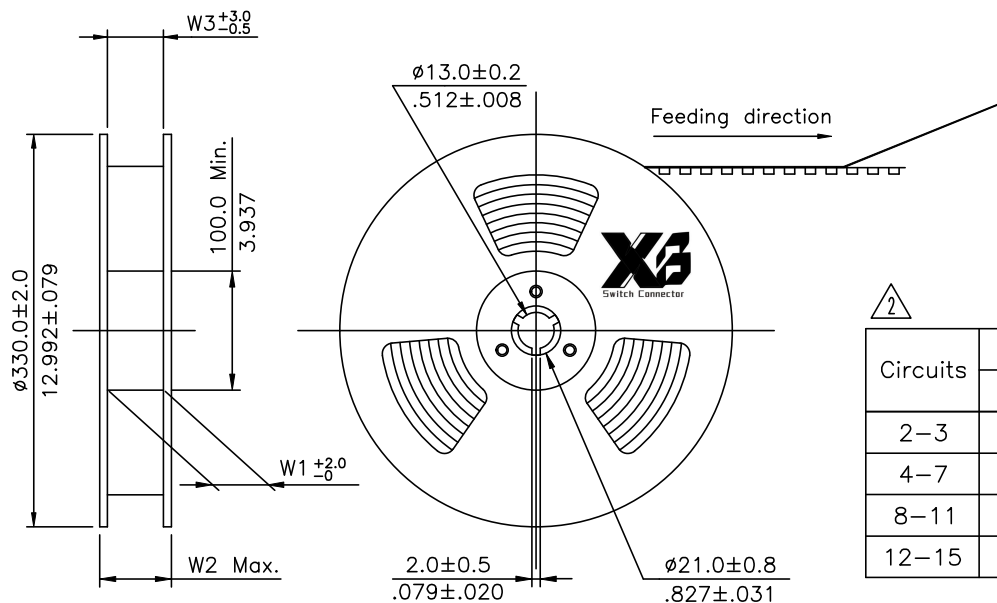


Halogen-Free

Lead Free Process

RoHS Compliant

| | | | | | | | | |
|-----|-------|-----------|-----------------------|---------------------|-----------|--------------------------------------|--|--|
| ④ | Amy | 12/25-23' | ECNT123179/ECRB123029 | | DATE | UNIT: mm / inch | TITLE: 1.50MM(.059") Sraight SMT Type Header | 东莞市溪榜电子有限公司 DONG GUAN XI BANG ELECTRONI CS CO., LTD. |
| ③ | Karen | 1/17-18' | ECNT118014 | DRAWN BY: Amy | 12/25-23' | TOLERANCE UNLESS OTHERWISE SPECIFIED | MATERIAL: | |
| ② | Enya | 9/11-13' | ECNT113054/ECRH113002 | ENGINEER: Sun | 12/25-23' | .X ± 0.30/.012 X' ± 1' | FINISH: | |
| ① | Sun | 9/22-11' | ECR11039-2/ECN11060 | CHECKED BY: Eisley | 12/25-23' | .XX ± 0.20/.008 X' ± | | |
| SYM | NAME | DATE | REVISIONS | APPROVED BY: Eisley | 12/25-23' | .XXX ± 0.10/.004 XX' ± | | DRAWING NO. CI1529SE PART NO. CI15**M*V*0-NH SCALE 4 / 1 SHEET 1 OF 2 |

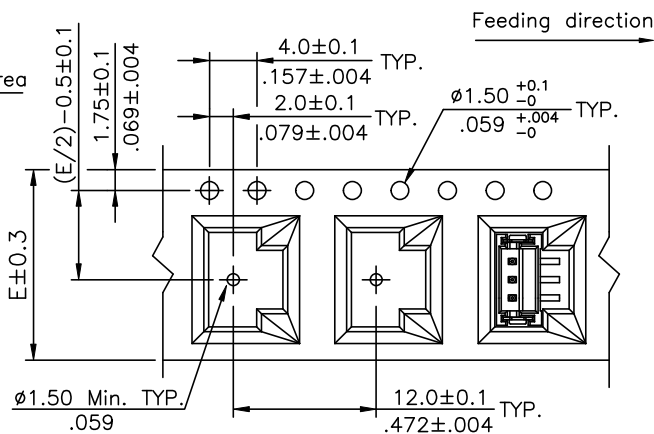
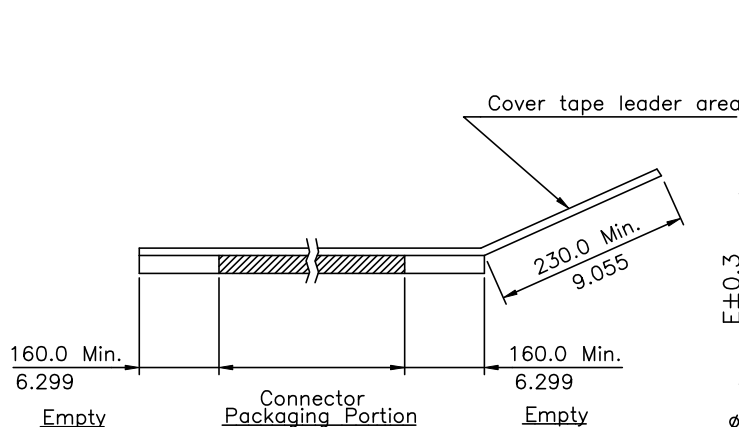


NOTE :

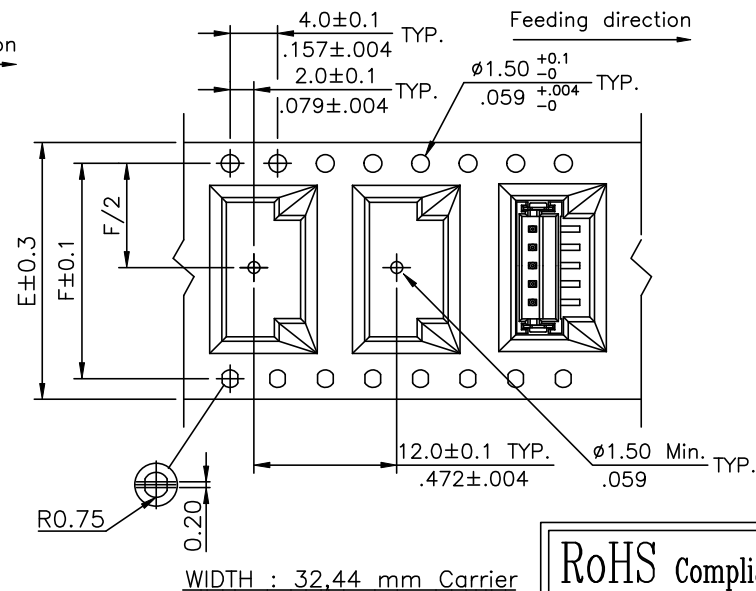
- * Reel Material : HIPS
- * Carrier Material : Clear, Conductive Polystyrene Alloy
- * Cover Tape Material : Polyester
- * Cover Tape Peel Strength : 0.1N – 1.3N
- * Carrier camber is within 1mm in 100mm
- * All dimensions meet EIA-481 requirements.
- * Quantity : 900 PCS/Reel

2

| Circuits | Dimension | | | | | Packing (Reel/Carton) |
|----------|-------------|-------------|-------------|-------------|-------------|--------------------------|
| | E | F | W1 | W2 | W3 | |
| 2-3 | 16.0(.630) | ----- | 16.5(.650) | 22.5(.886) | 16.5(.650) | 11 |
| 4-7 | 24.0(.945) | ----- | 24.5(.965) | 30.5(1.201) | 24.5(.965) | 9 |
| 8-11 | 32.0(1.260) | 28.4(1.118) | 32.5(1.280) | 38.5(1.516) | 32.5(1.280) | 7 |
| 12-15 | 44.0(1.732) | 40.4(1.596) | 44.5(1.752) | 50.5(1.988) | 44.5(1.752) | 5 |



WIDTH : 16,24 mm Carrier



WIDTH : 32,44 mm Carrier

RoHS Compliant

| 4 | Amy | 12/25-23' | ECNT123179/ECRB123029 | | DATE | UNIT: mm / inch | TITLE: 1.50MM(.059") Sraight SMT Type Header |
|-----|-------|-----------|-----------------------|--------------|--------|-----------------|--|
| 3 | Karen | 1/17-18' | ECNT118014 | DRAWN BY: | Amy | 12/25-23' | MATERIAL: |
| 2 | Enya | 9/11-13' | ECNT113054/ECRH113002 | ENGINEER: | Sun | 12/25-23' | |
| 1 | Sun | 9/22-11' | ECR11039-2/ECN11060 | CHECKED BY: | Eisley | 12/25-23' | FINISH: |
| SYM | NAME | DATE | REVISIONS | APPROVED BY: | Eisley | 12/25-23' | |

XB 东莞市溪榜电子有限公司
Switch Connector DONG GUAN XI BANG ELECTRONICS CO., LTD.

DRAWING NO. CI1529SE PART NO. CI15**M*V*0-NH
SCALE SHEET 2 OF 2

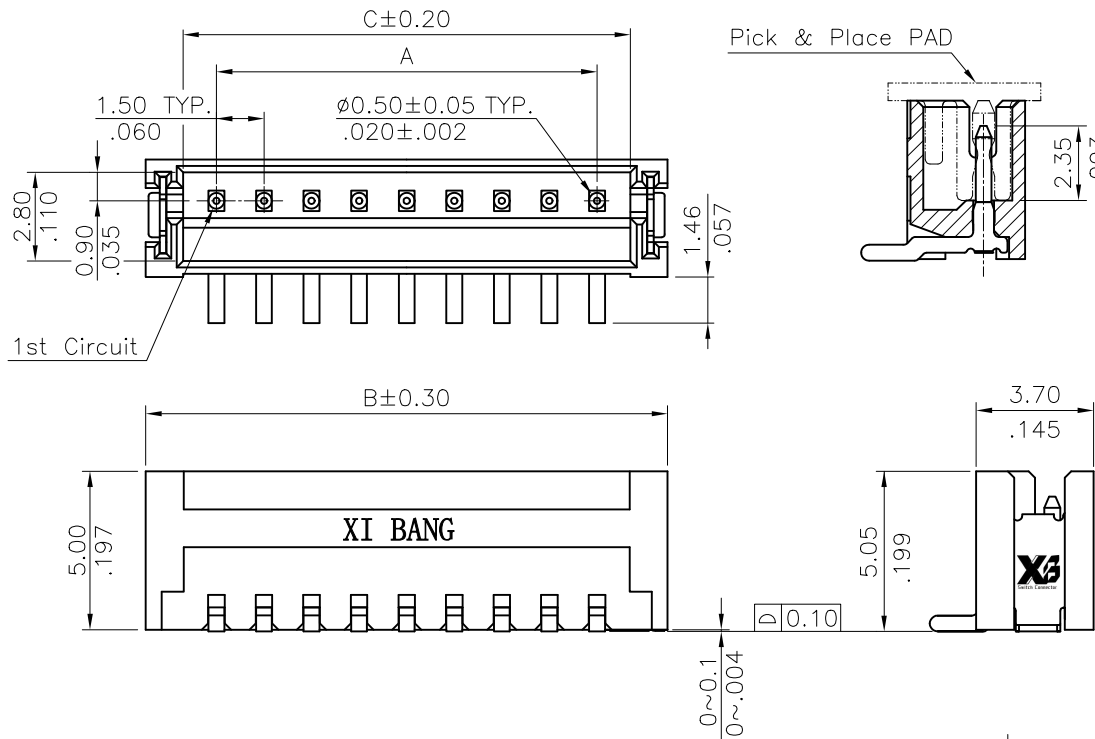
Material:

- * Insulation: Nylon 9T+33% G.F. UL 94V-0, Color Nature
- * Contact: Brass with Matte Tin plated
- * TAB: Brass with Matte Tin plated

Ordering Code:

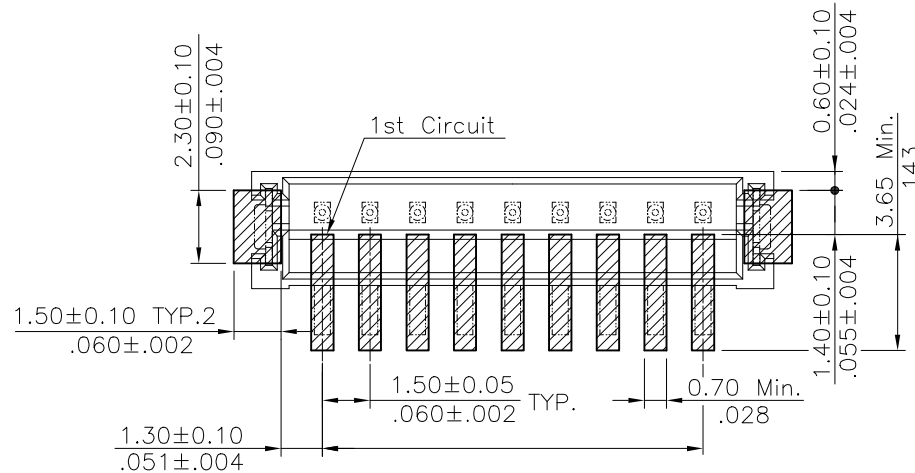
CI15 ** M 1 V * 0 - LF
 ① ② ③ ④ ⑤ ⑥ ⑦ ⑧

- ① Series No.
- ② No. of Circuits:
- ③ Contacts Type: M=SMT
- ④ Plating: 1 = 3.05μm(120μ") Min. Matte Tin over 1.27μm(50μ") Nickel
- ⑤ V = Straight Type
- ⑥ Packing option: R=Tape & Reel with pad
T=Tube Packing without pad
- ⑦ Option: 0 = Standard
- ⑧ -LF= For Leadfree IR Processes



A = 1.5 * No. of Spaces
 B = A + 4.5
 C = A + 2.1
 * Available in 2 through 15 circuits

| TOLERANCE | | | | |
|-----------|----------|-------|-------|--------|
| Dim | Circuits | 2~6P | 7~10P | 11~15P |
| A | | ±0.10 | ±0.15 | ±0.20 |

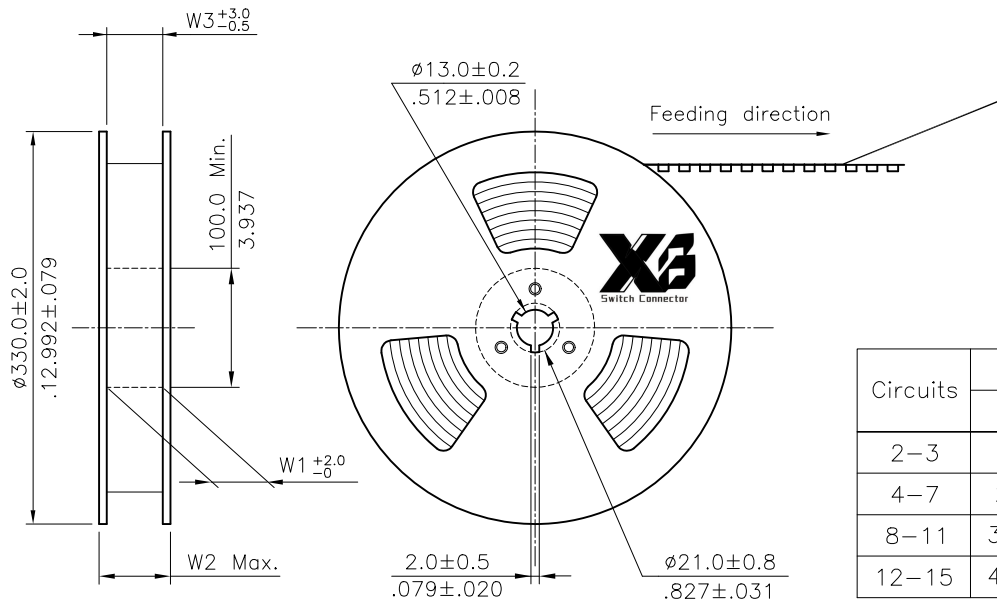


Solder Pad Pattern

Lead Free Process

RoHS Compliant

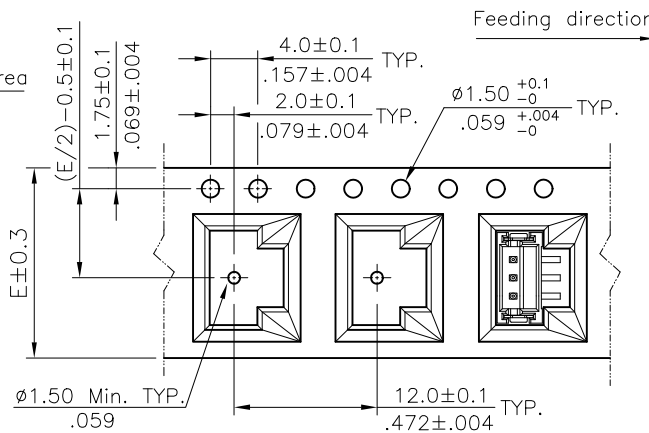
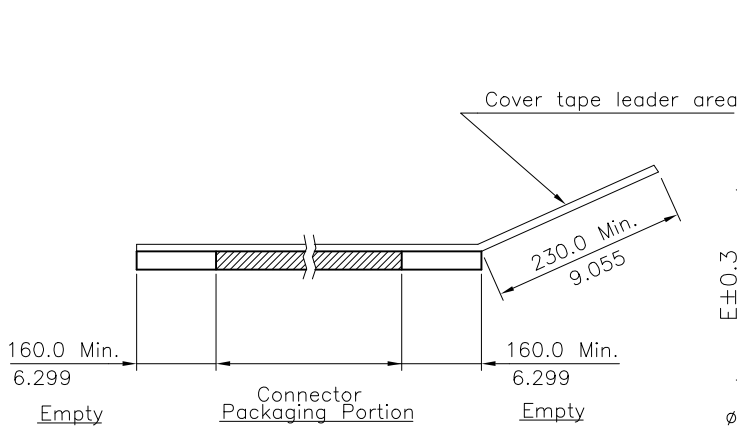
| | | | | | | | | |
|-----|-------|-----------|-----------------------|--------------------|----------|--------------------------------------|---|--|
| ④ | Enya | 9/11-13' | ECNT113054/ECRH113002 | | DATE | UNIT: mm / inch | TITLE: 1.50MM(.059") Straight SMT Type Header | |
| ③ | Sun | 9/22-11' | ECR11039-2/ECN11060 | DRAWN BY: Enya | 9/11-13' | TOLERANCE UNLESS OTHERWISE SPECIFIED | MATERIAL: | |
| ② | Sandy | 11/29-07' | ECN07498 | ENGINEER: Eisley | 9/12-13' | .X ± 0.30/.012 X' ± 1' | FINISH: | |
| ① | Sandy | 04/29-07' | ECN07153 | CHECKED BY: Eisley | 9/12-13' | .XX ± 0.20/.008 X' ± | | |
| SYM | NAME | DATE | REVISIONS | APPROVED BY: David | 9/12-13' | .XXX ± 0.10/.004 XX' ± | | DRAWING NO. CI1508SE PART NO. CI15**M1V*0-LF SCALE 4 / 1 SHEET 1 OF 2 |



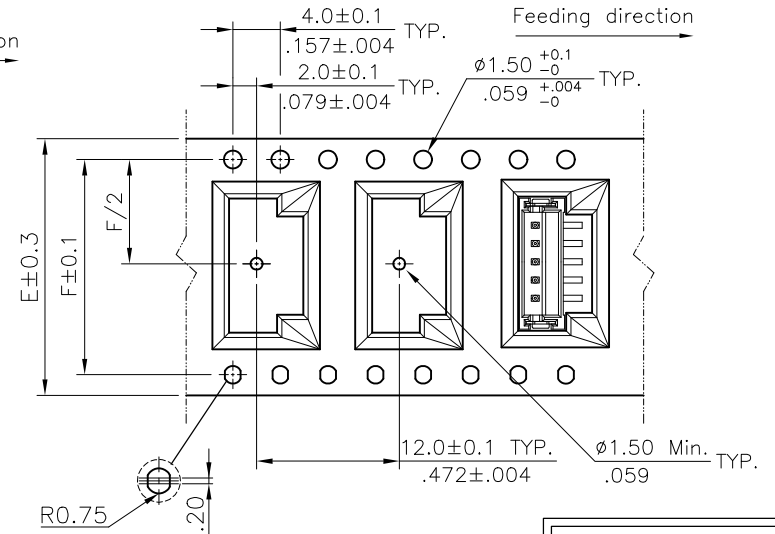
NOTE :

- ⚠ * Reel Material : Corrugated Paper
- * Carrier Material : Clear, Conductive Polystyrene Alloy
- * Cover Tape Material : Polyester
- * Cover Tape Peel Strength : 0.1N – 1.3N
- * Carrier camber is within 1mm in 100mm
- * All dimensions meet EIA-481-2 & EIA-481-3 requirements.
- ⚠ * Quantity : 900 PCS/Reel

| Circuits | Dimension | | | | | Packing (Reel/Carton) |
|----------|-------------|-------------|-------------|-------------|-------------|-----------------------|
| | E | F | W1 | W2 | W3 | |
| 2-3 | 16.0(.630) | ----- | 16.5(.650) | 22.5(.886) | 16.5(.650) | 11 |
| 4-7 | 24.0(.945) | ----- | 24.5(.965) | 30.5(1.201) | 24.5(.965) | 9 |
| 8-11 | 32.0(1.260) | 28.4(1.118) | 32.5(1.280) | 38.5(1.516) | 32.5(1.280) | 7 |
| 12-15 | 44.0(1.732) | 40.4(1.596) | 44.5(1.752) | 50.5(1.988) | 44.5(1.752) | 5 |



WIDTH : 16,24 mm Carrier



WIDTH : 32,44 mm Carrier

RoHS Compliant

| SYM | NAME | DATE | REVISIONS | APPROVED BY: | DATE | UNIT: mm / inch | TITLE: | MATERIAL: | FINISH: | DRAWING NO. | PART NO. | SHEET | OF |
|-----|-------|-----------|-----------------------|--------------------|----------|-----------------|---------------------------------------|-----------|---------|-------------|----------|-------|----|
| 4 | Enya | 9/11-13' | ECNT113054/ECRH113002 | | | | 1.50MM(.059") Sraight SMT Type Header | | | | | | |
| 3 | Sun | 9/22-11' | ECR11039-2/ECN11060 | DRAWN BY: Enya | 9/11-13' | | | | | | | | |
| 2 | Sandy | 11/29-07' | ECN07498 | ENGINEER: Easley | 9/12-13' | | | | | | | | |
| 1 | Sandy | 04/29-07' | ECN07153 | CHECKED BY: Easley | 9/12-13' | | | | | | | | |
| | | | | APPROVED BY: David | 9/12-13' | .X ± | .X' ± 1' | | | | | | |
| | | | | | | .XX ± | .X' ± | | | | | | |
| | | | | | | .XXX ± | .XX' ± | | | | | | |

东莞市溪榜电子有限公司
DONG GUAN XI BANG ELECTRONICS CO., LTD.

DRAWING NO. **CI1508SE** PART NO. **CI15**M1V*0-LF**
SCALE SHEET 2 OF 2