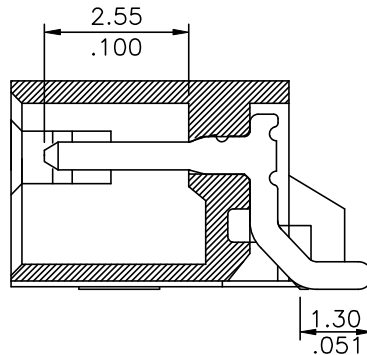


Material:

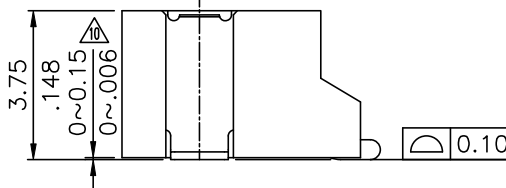
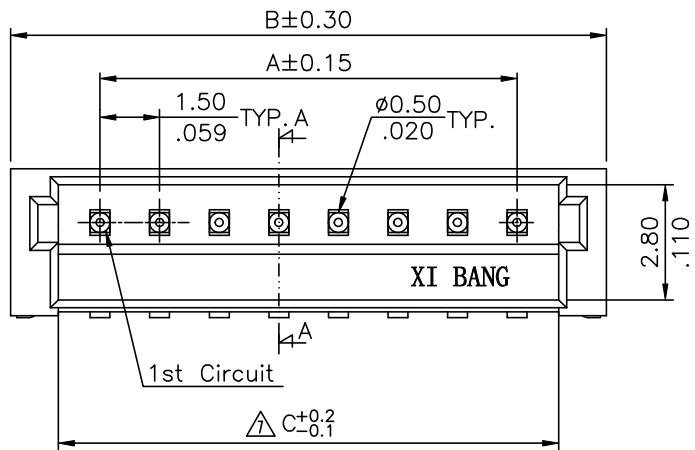
Base: Nylon 46 UL 94V-0, Color Nature

Contact: Copper alloy with Tin plated

Tab: Copper alloy with Tin plated



SEC. A-A SCALE 7/1



DIM. A = 1.50 × NO. OF SPACES

DIM. B = DIM. A + 4.5

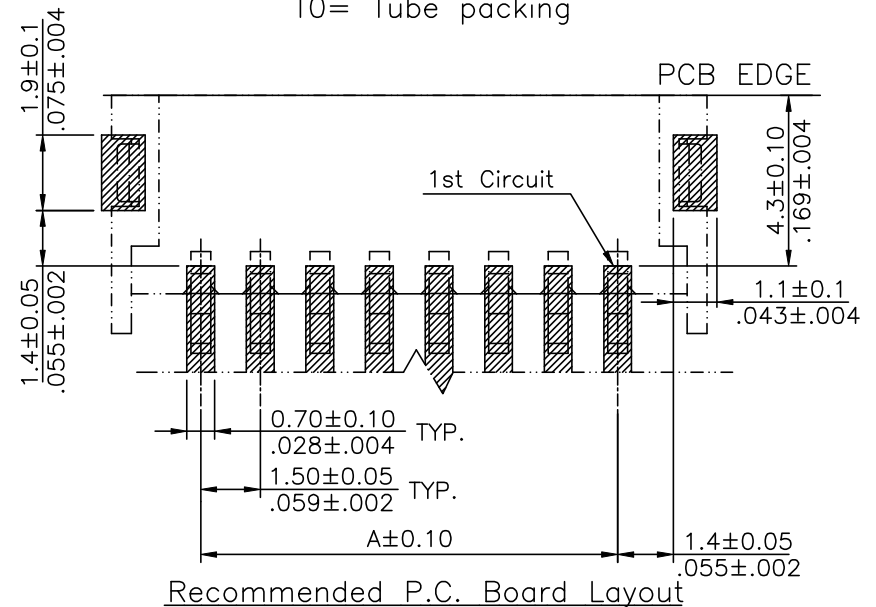
DIM. C = DIM. A + 2.1

\* AVAILABLE IN 2 THROUGH 13 CIRCUITS

**ORDERING CODE**

CI15 \*\* M 1 H R0  
① ② ③ ④ ⑤ ⑥

- ① Series No.
- ② Contacts: 02 to 13
- ③ M= SMT type header
- ④ Plating:  
1= 100μ" Min. Tin Plated  
over 50μ" Nickel
- ⑤ Type: H= Right angle
- ⑥ Other option:  
R0= Tape & reel packing (Standard)  
T0= Tube packing



Recommended P.C. Board Layout

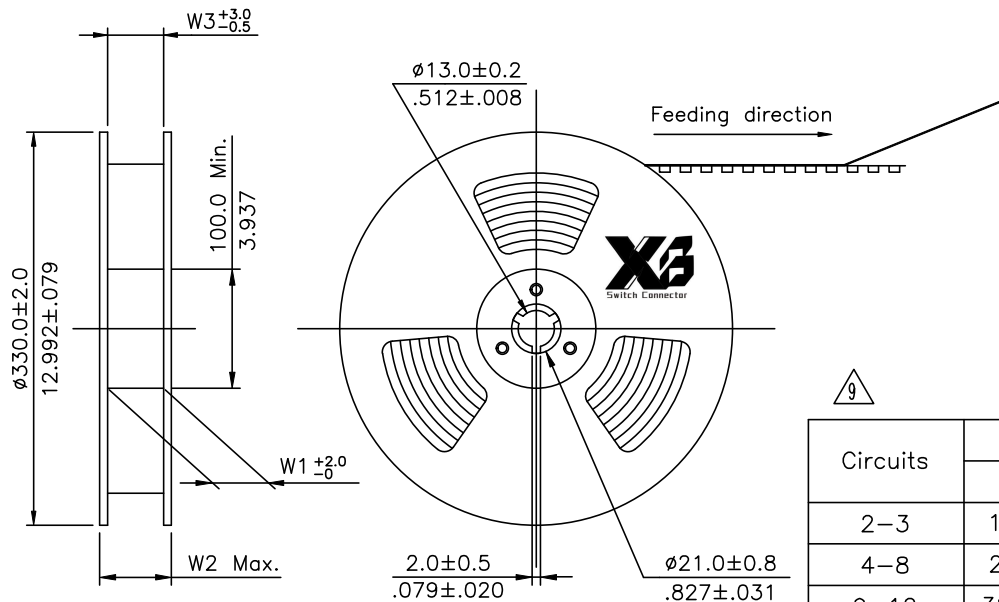
Tin-Lead Process

RoHS Compliant

⑫	Amy	12/25-23'	ECNT123179/ECRB123029		DATE	UNIT: mm / inch	TITLE: 1.50MM(.059") Right Angle SMT Type Header
⑪	Yushu	9/11-19'	ECRQ119009/ECNT119310	DRAWN BY:	Amy	12/25-23'	TOLERANCE UNLESS OTHERWISE SPECIFIED
⑩	Sun	7/05-16'	ECRH116023/ECNT116141	ENGINEER:	Sun	12/25-23'	
⑨	Enya	9/11-13'	ECNT113054/ECRH113002	CHECKED BY:	Eisley	12/25-23'	.X ± 0.30/.012 X' ± 1'
SYM	NAME	DATE	REVISIONS	APPROVED BY:	Eisley	12/25-23'	.XX ± 0.20/.008 X' ±
							.XXX ± 0.10/.004 XX' ±

**XIB** 东莞市溪榜电子有限公司  
Switch Connector DONG GUAN XI BANG ELECTRONICS CO., LTD.

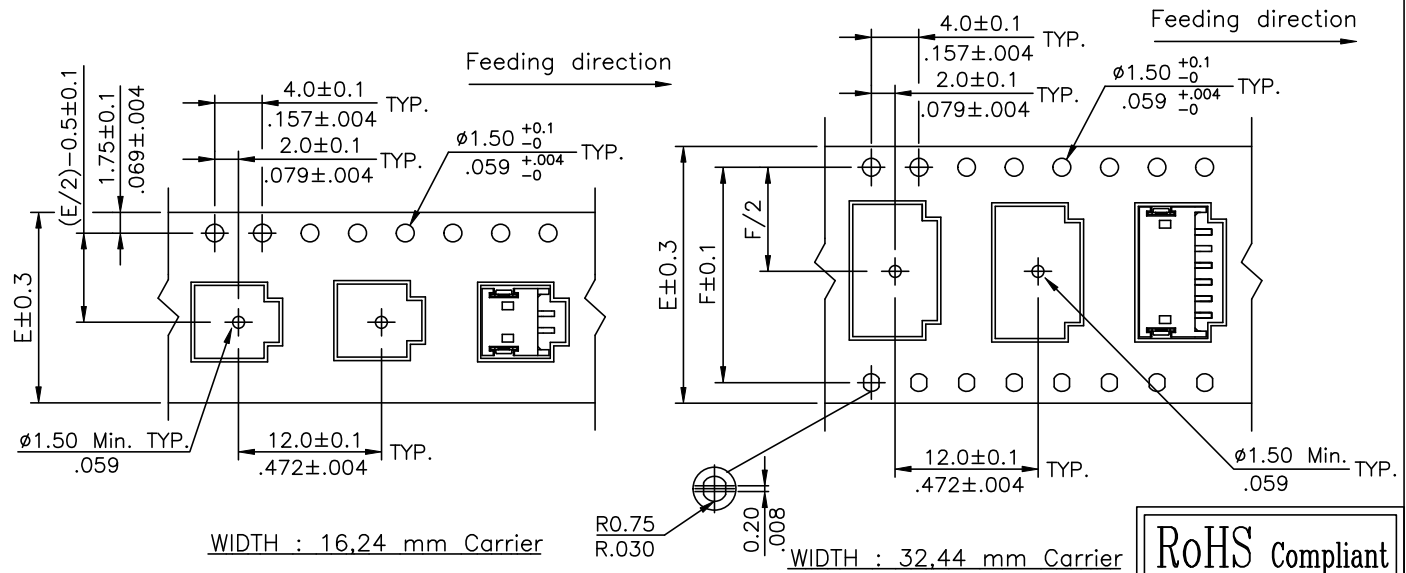
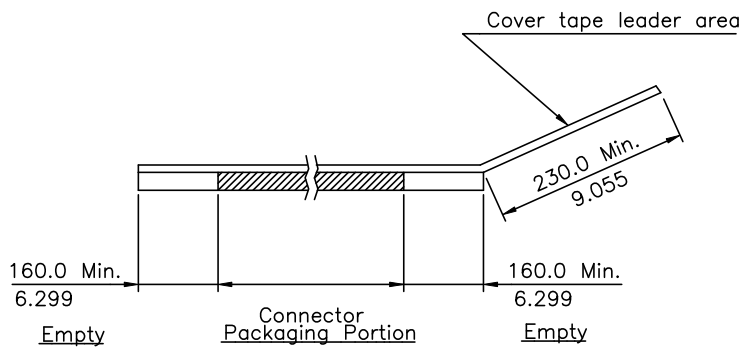
DRAWING NO.	CI1501SL	PART NO.	CI15**M1H*0
SCALE	5 / 1	SHEET	1 OF 2



NOTE :

- \* Reel Material : HIPS
- \* Carrier Material : Clear, Conductive Polystyrene Alloy
- \* Cover Tape Material : Polyester
- \* Cover Tape Peel Strength : 0.1N – 1.3N
- \* Carrier camber is within 1mm in 100mm
- \* All dimensions meet EIA-481 requirements.
- \* Quantity : 1400 PCS/Reel

Circuits	Dimension					Packing (Reel/Carton)
	E	F	W1	W2	W3	
2-3	16.0(.630)	-----	16.5(.650)	22.5(.886)	16.5(.650)	11
4-8	24.0(.945)	-----	24.5(.965)	30.5(1.201)	24.5(.965)	9
9-12	32.0(1.260)	28.4(1.118)	32.5(1.280)	38.5(1.516)	32.5(1.280)	7
13	44.0(1.732)	40.4(1.596)	44.5(1.752)	50.5(1.988)	44.5(1.752)	5



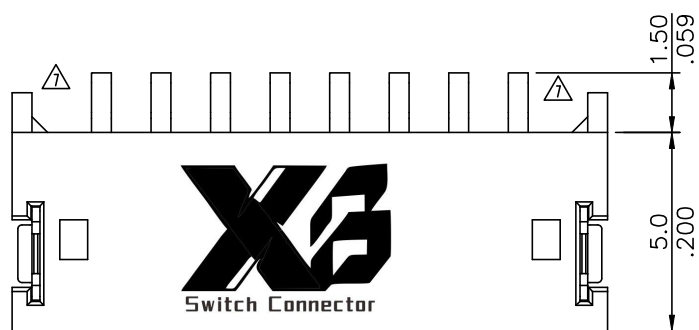
WIDTH : 16.24 mm Carrier

R0.75  
R.030

WIDTH : 32.44 mm Carrier

RoHS Compliant

SYM	NAME	DATE	REVISIONS	APPROVED BY:	DATE	UNIT: mm / inch	TITLE: 1.50MM(.059") Right Angle SMT Type Header	MATERIAL:			
△12	Amy	12/25-23'	ECNT123179/ECRB123029					DONG GUAN XI BANG ELECTRONICS CO., LTD.			
△11	Yushu	9/11-19'	ECRQ119009/ECNT119310	DRAWN BY:	Amy	12/25-23'		DRAWING NO. CI1501SL			
△10	Sun	7/05-16'	ECRH116023/ECNT116141	ENGINEER:	Sun	12/25-23'		PART NO. CI15**M1H*0			
△9	Enya	9/11-13'	ECNT113054/ECRH113002	CHECKED BY:	Eisley	12/25-23'		SCALE			
				APPROVED BY:	Eisley	12/25-23'		SHEET 2 OF 2			

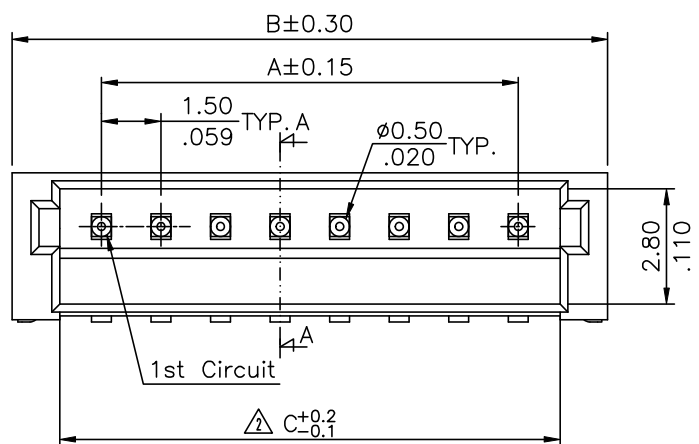
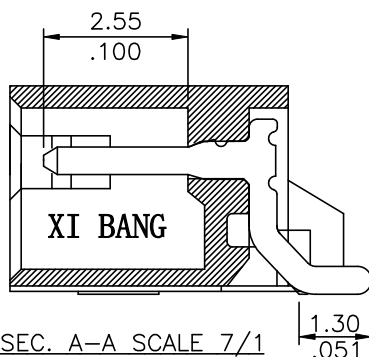


Material:

Base: Nylon 6T, UL 94V-0, Color Nature

Contact: Copper alloy with Matte Tin plated

Tab: Copper alloy with Matte Tin plated



DIM. A = 1.50 x NO. OF SPACES

DIM. B = DIM. A + 4.5

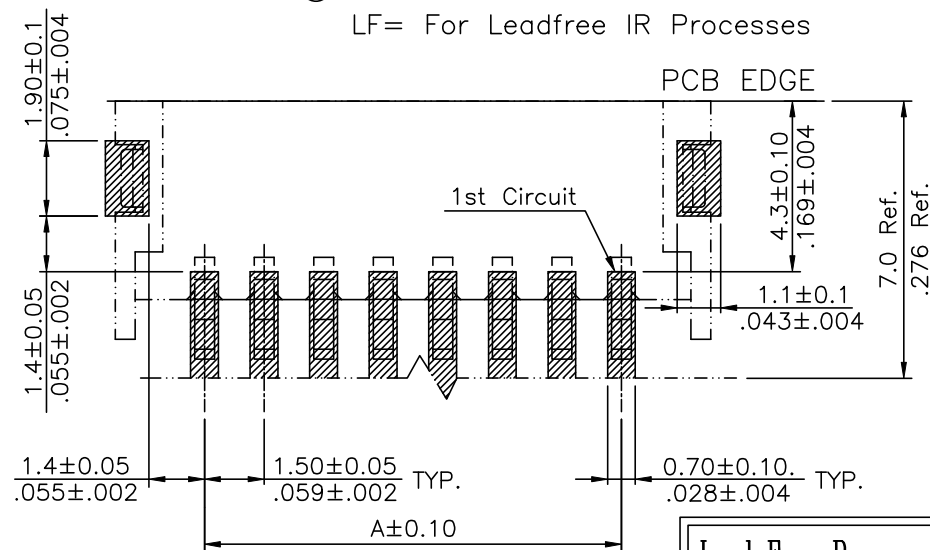
DIM. C = DIM. A + 2.1

△ \* AVAILABLE IN 2 THROUGH 15 CIRCUITS

### ORDERING CODE

CI15 \*\* M 1 H R0 -LF  
 ① ② ③ ④ ⑤ ⑥ ⑦


- ① Series No.
- △ ② Contacts: 02 to 15
- ③ M= SMT type header
- ④ Plating:  
1= 100μ" Min. Tin Plated  
over 50μ" Nickel(Matte Tin Finish)
- ⑤ Type: H= Right angle
- ⑥ Other option:  
R0= Tape & reel packing (Standard)  
T0= Tube packing
- ⑦ OTHER OPTION:  
LF= For Leadfree IR Processes

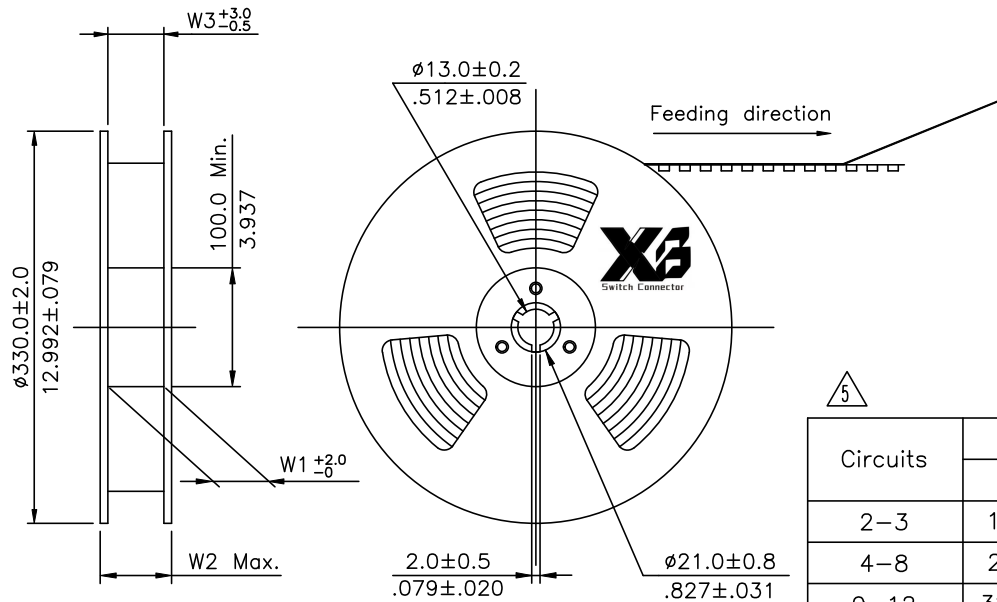


Recommended P.C. Board Layout

Lead Free Process

RoHS Compliant

⑧	Amy	12/25-23'	ECNT123179/ECRB123029		DATE	UNIT: mm / inch	TITLE: 1.50MM(.059") Right Angle SMT Type Header	 <b>东莞市溪榜电子有限公司</b> DONG GUAN XI BANG ELECTRONI CS CO., LTD.
⑦	Yushu	9/11-19'	ECRQ119009/ECNT119310	DRAWN BY:	Amy	12/25-23'	TOLERANCE UNLESS OTHERWISE SPECIFIED	
⑥	Sun	7/05-16'	ECRH116023/ECNT116141	ENGINEER:	Sun	12/25-23'	.X ± 0.30/.012    X' ± 1"	
⑤	Enya	9/11-13'	ECNT113054/ECRH113002	CHECKED BY:	Eisley	12/25-23'	.XX ± 0.20/.008    .X' ±	
SYM	NAME	DATE	REVISIONS	APPROVED BY:	Eisley	12/25-23'	.XXX ± 0.10/.004    .XX' ±	
DRAWING NO. CI1504SI								PART NO. CI15**M1H*0-LF
SCALE 5 / 1								SHEET 1 OF 2

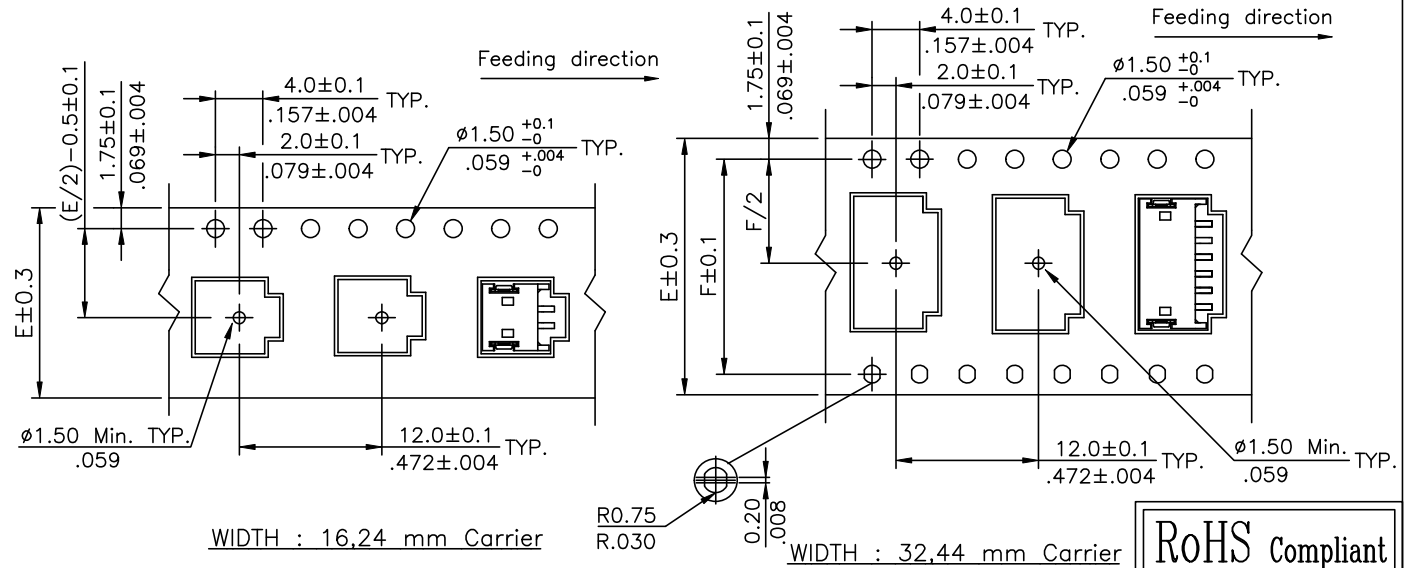
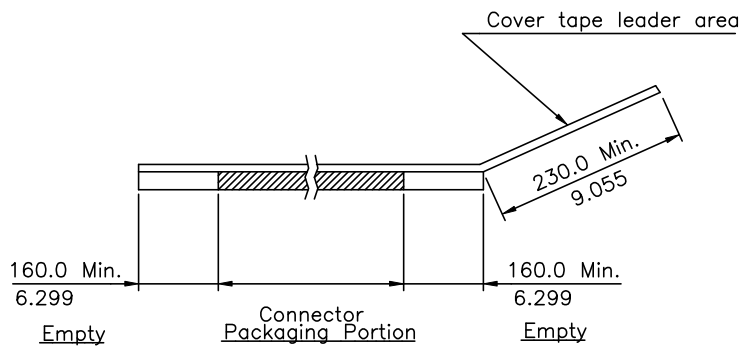


NOTE :

- \* Reel Material : HIPS
- \* Carrier Material : Clear, Conductive Polystyrene Alloy
- \* Cover Tape Material : Polyester
- \* Cover Tape Peel Strength : 0.1N – 1.3N
- \* Carrier camber is within 1mm in 100mm
- \* All dimensions meet EIA-481 requirements.
- \* Quantity : 1400 PCS/Reel

5

Circuits	Dimension					Packing (Reel/Carton)
	E	F	W1	W2	W3	
2-3	16.0(.630)	-----	16.5(.650)	22.5(.886)	16.5(.650)	11
4-8	24.0(.945)	-----	24.5(.965)	30.5(1.201)	24.5(.965)	9
9-12	32.0(1.260)	28.4(1.118)	32.5(1.280)	38.5(1.516)	32.5(1.280)	7
13-15	44.0(1.732)	40.4(1.596)	44.5(1.752)	50.5(1.988)	44.5(1.752)	5

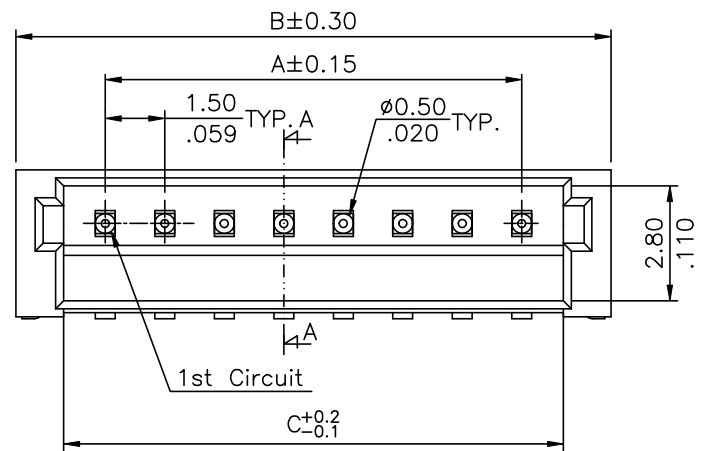
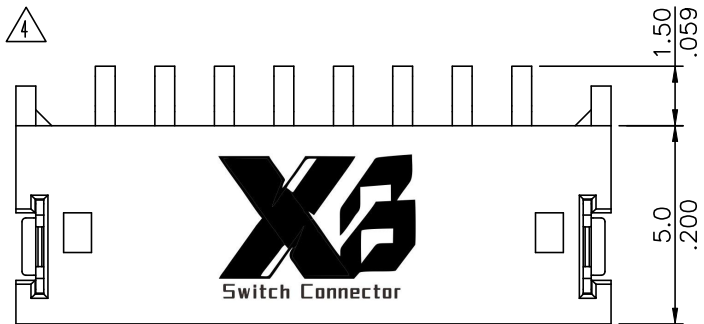


RoHS Compliant

SYM	NAME	DATE	REVISIONS	APPROVED BY:	DATE	UNIT: mm / inch	TITLE: 1.50MM(.059") Right Angle SMT Type Header	SCALE	SHEET 2 OF 2
8	Amy	12/25-23'	ECNT123179/ECRB123029		DATE	UNIT: mm / inch	TITLE: 1.50MM(.059") Right Angle SMT Type Header		
7	Yushu	9/11-19'	ECRQ119009/ECNT119310	DRAWN BY:	Amy	12/25-23'	TOLERANCE UNLESS OTHERWISE SPECIFIED		
6	Sun	7/05-16'	ECRH116023/ECNT116141	ENGINEER:	Sun	12/25-23'	.X ±	X' ± 1'	
5	Enya	9/11-13'	ECNT113054/ECRH113002	CHECKED BY:	Eisley	12/25-23'	.XX ±	.X' ±	
				APPROVED BY:	Eisley	12/25-23'	.XXX ±	.XX' ±	

**XB** 东莞市溪榜电子有限公司  
DONG GUAN XI BANG ELECTRONICS CO., LTD.

DRAWING NO.	CI1504SI	PART NO.	CI15**M1H*0-LF
-------------	----------	----------	----------------



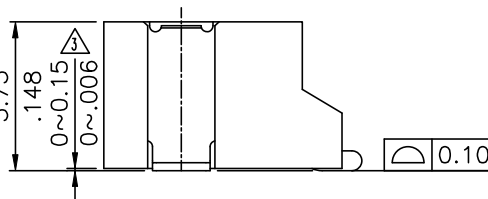
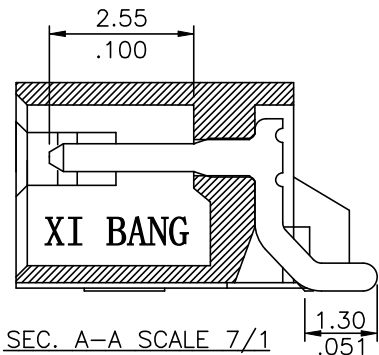
DIM. A = 1.50 x NO. OF SPACES  
 DIM. B = DIM. A + 4.5  
 DIM. C = DIM. A + 2.1

\* AVAILABLE IN 2 THROUGH 15 CIRCUITS

Material:

Insulator: High temperature plastic  
 UL 94V-0 ,Color Nature

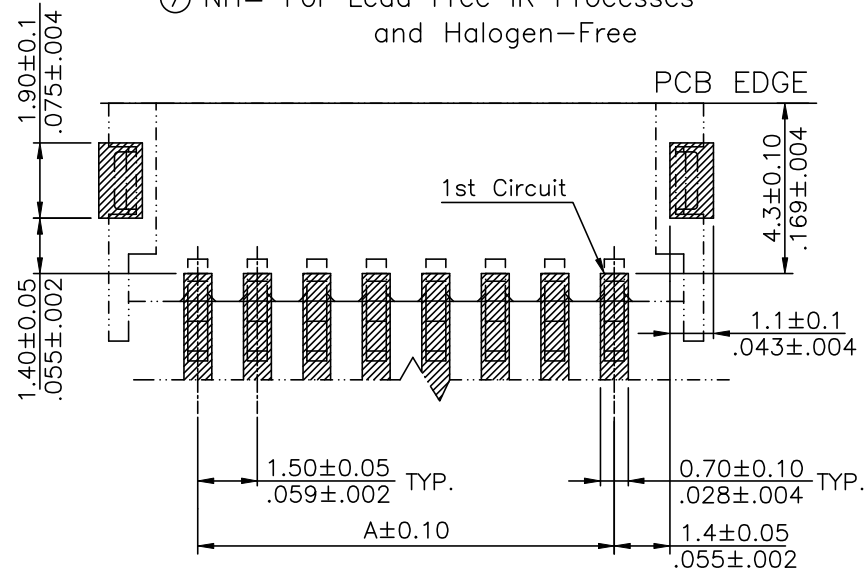
Contact: Brass with Matte Tin plated  
 Tab: Brass with Matte Tin plated



**ORDERING CODE**

CI15 \*\* M 1 H \*0 -NH  
 ① ② ③ ④ ⑤ ⑥ ⑦

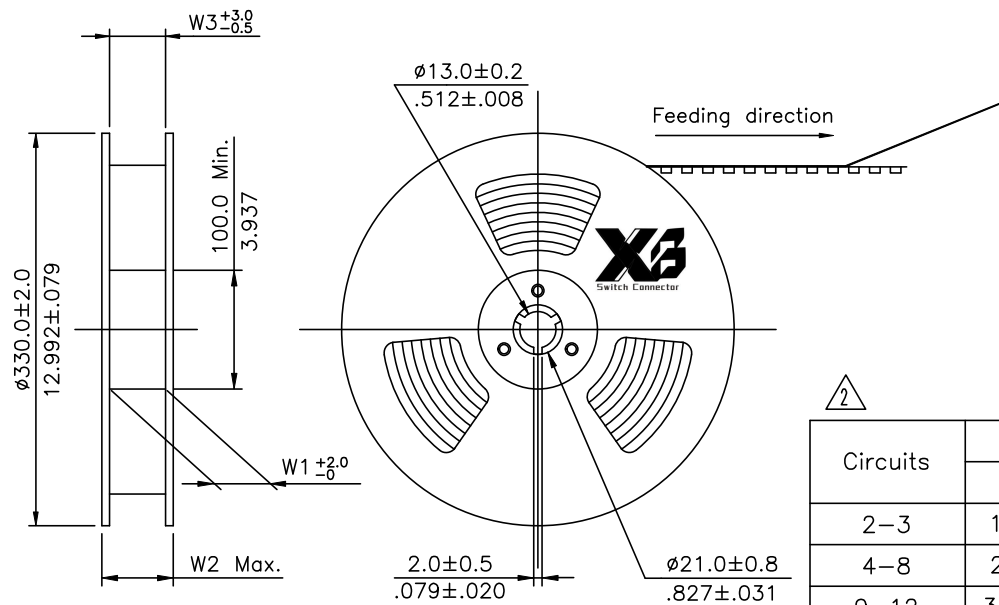
- ① Series No.
- ② Contacts: 02 to 15
- ③ M= SMT type header
- ④ Plating:  
 1= 100μ" Min. Tin Plated  
 over 50μ" Nickel (Matte Tin Finish)
- ⑤ Type: H= Right angle
- ⑥ Other option:  
 R0= Tape & reel packing (Standard)  
 T0= Tube packing
- ⑦ NH= For Lead Free IR Processes  
 and Halogen-Free



Recommended P.C. Board Layout

Halogen-Free    Lead Free Process    RoHS compliant

⑤	Amy	12/25-23'	ECNT123179/ECRB123029		DATE	UNIT: mm / inch	TITLE: 1.50MM(.059") Right Angle SMT Type Header	<b>东莞市溪榜电子有限公司</b> DONG GUAN XI BANG ELECTRONI CS CO., LTD.		
④	Yushu	9/11-19'	ECRQ119009/ECNT119310	DRAWN BY:	Amy	12/25-23'	TOLERANCE UNLESS OTHERWISE SPECIFIED			
③	Sun	7/05-16'	ECRH116023/ECNT116141	ENGINEER:	Sun	12/25-23'	.X ± 0.30/.012    x' ± 1'			
②	Enya	9/11-13'	ECNT113054/ECRH113002	CHECKED BY:	Eisley	12/25-23'	.XX ± 0.20/.008    .X' ±			
SYM	NAME	DATE	REVISIONS	APPROVED BY:	Eisley	12/25-23'	.XXX ± 0.10/.004    .XX' ±			
								MATERIAL:	DRAWING NO. CI1527SF	PART NO. CI15**M1H*0-NH
								FINISH:	SCALE 5 / 1	SHEET 1 OF 2

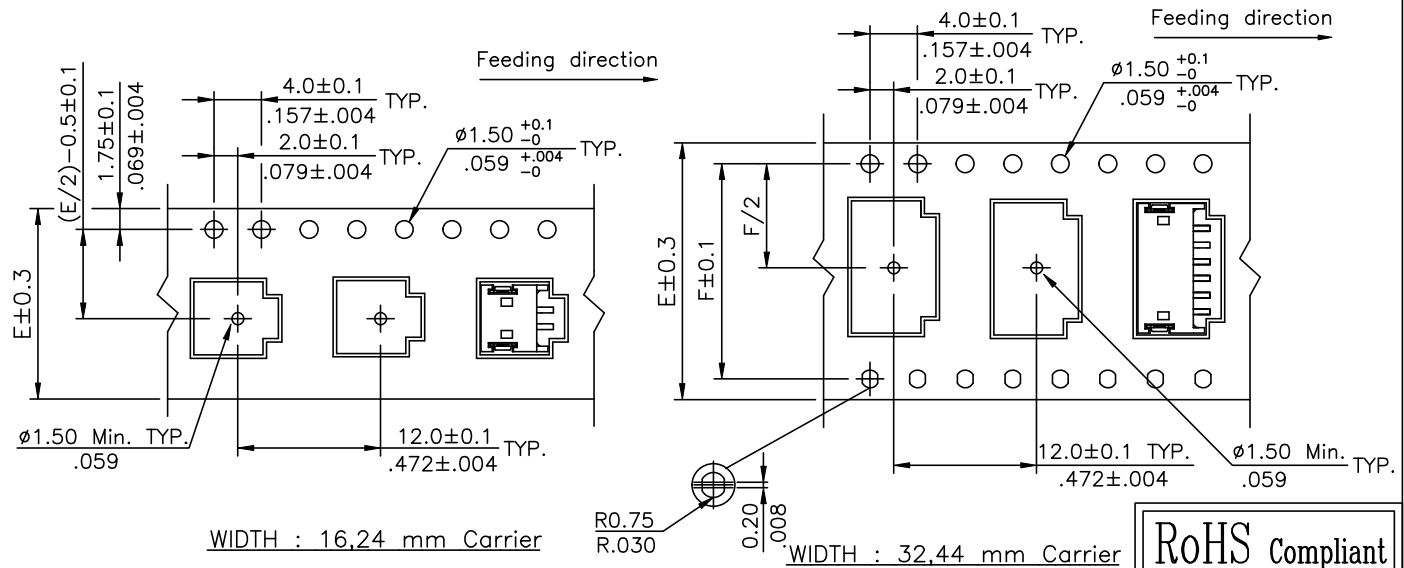
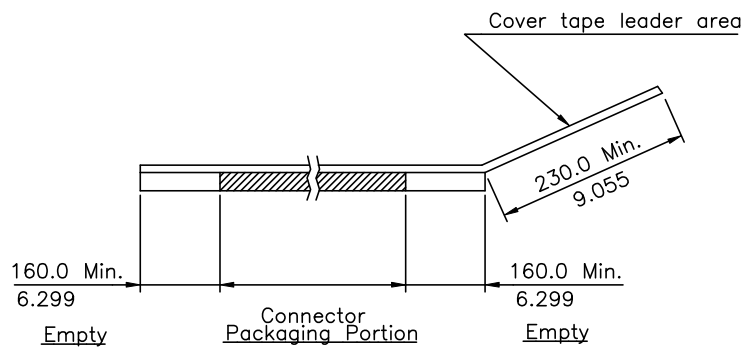


△ NOTE :

- △ \* Reel Material : HIPS
- \* Carrier Material : Clear, Conductive Polystyrene Alloy
- \* Cover Tape Material : Polyester
- \* Cover Tape Peel Strength : 0.1N – 1.3N
- \* Carrier camber is within 1mm in 100mm
- \* All dimensions meet EIA-481 requirements.
- \* Quantity : 1400 PCS/Reel

△ 2

Circuits	Dimension					Packing (Reel/Carton)
	E	F	W1	W2	W3	
2-3	16.0(.630)	-----	16.5(.650)	22.5(.886)	16.5(.650)	11
4-8	24.0(.945)	-----	24.5(.965)	30.5(1.201)	24.5(.965)	9
9-12	32.0(1.260)	28.4(1.118)	32.5(1.280)	38.5(1.516)	32.5(1.280)	7
13-15	44.0(1.732)	40.4(1.596)	44.5(1.752)	50.5(1.988)	44.5(1.752)	5



WIDTH : 16.24 mm Carrier

WIDTH : 32.44 mm Carrier

RoHS Compliant

SYM	NAME	DATE	REVISIONS	APPROVED BY:	DATE	UNIT: mm / inch	TITLE: 1.50MM(.059") Right Angle SMT Type Header	SCALE	SHEET 2 OF 2
5	Amy	12/25-23	ECNT123179/ECRB123029						
4	Yushu	9/11-19	ECRQ119009/ECNT119310	DRAWN BY:	Amy	12/25-23			
3	Sun	7/05-16	ECRH116023/ECNT116141	ENGINEER:	Sun	12/25-23			
2	Enya	9/11-13	ECNT113054/ECRH113002	CHECKED BY:	Eisley	12/25-23			
				APPROVED BY:	Eisley	12/25-23			

**X3** 东莞市溪榜电子有限公司  
Switch Connector DONG GUAN XI BANG ELECTRONICS CO., LTD.

DRAWING NO. CI1527SF PART NO. CI15\*\*M1H\*0-NH  
SCALE SHEET 2 OF 2