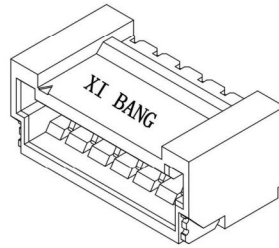
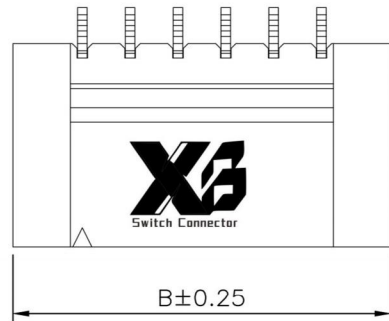


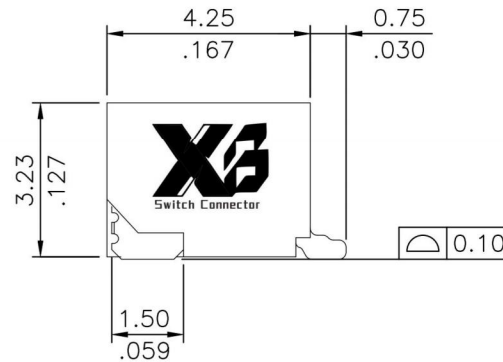
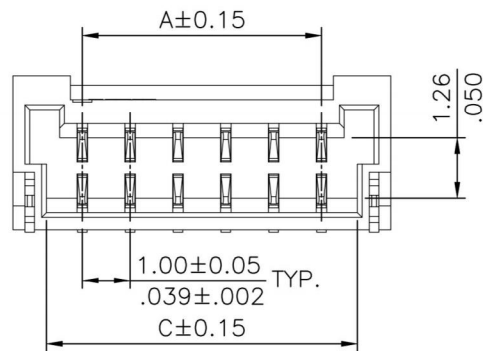
Notes:

- * Base: High temperature plastic UL 94V-0, Color Nature
- * Contact: Copper alloy
- * Tab: Copper alloy with Matte Tin plated
- * For Lead-Free IR Reflow process



DIM. A = 1.00 x NO. OF SPACES
 DIM. B = DIM. A + 2.90
 DIM. C = DIM. A + 1.50

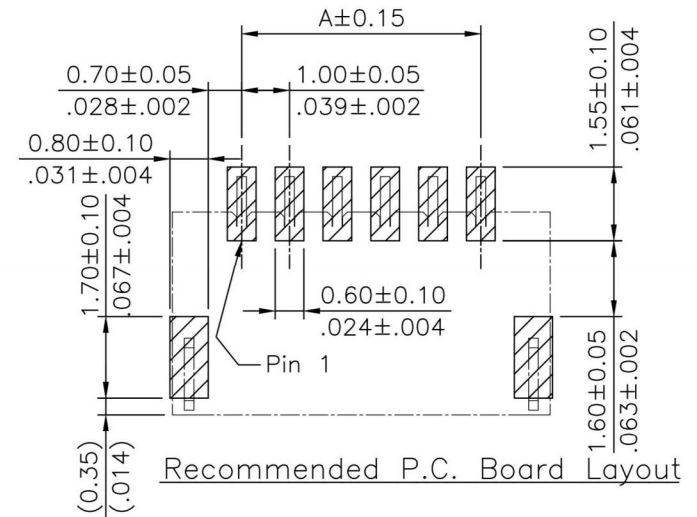
* AVAILABLE IN 2 THROUGH 20 CIRCUITS




Ordering Code:

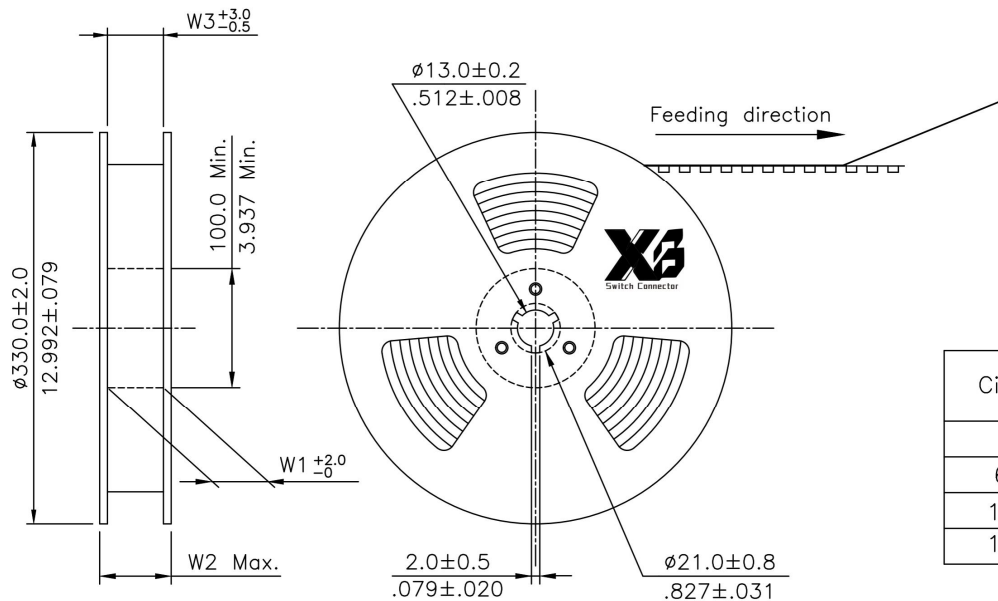
CI16 ** M 1 H R A -NH
 ① ② ③ ④ ⑤ ⑥ ⑦ ⑧

- ① Series No.
- ② No. of Circuits: 02~20 Pin
- ③ M= SMT type header
- ④ Plating: 1= 3.05μm(120μ") ~ 4.88μm(192μ")
Matte Tin over 1.27μm(50μ") Nickel
- ⑤ Type: H= Side Entry
- ⑥ Packing Options: R= Tape & Reel packing
- ⑦ Option: A= Type 1
- ⑧ Other option:
-NH= For Lead Free IR Reflow Processes and Halogen-Free



Halogen-Free Lead Free Process RoHS Compliant

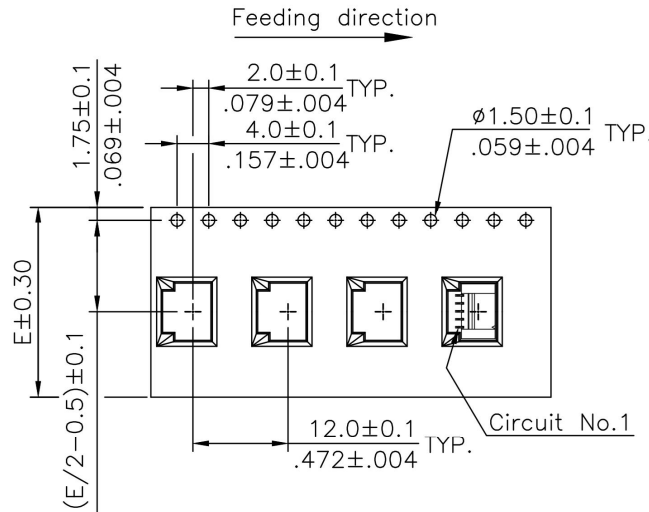
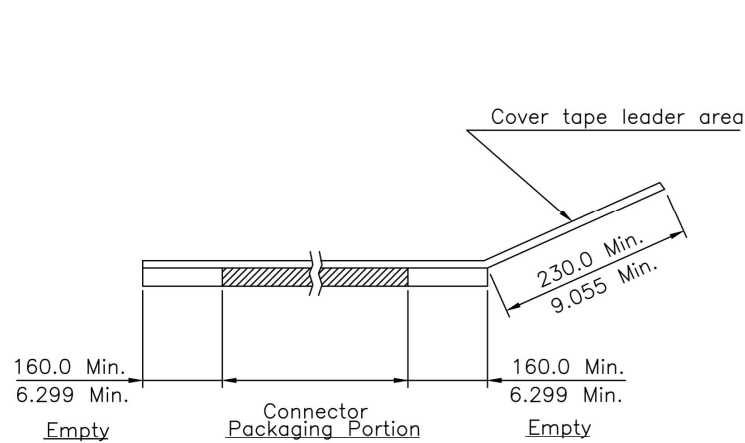
④					DATE	UNIT: mm / inch	TITLE: 1.00MM(.039") WIRE TO BOARD CONNECTOR	 东莞市溪榜电子有限公司 DONG GUAN XI BANG ELECTRONICS CO., LTD.
③				DRAWN BY: Amy	12/27-23'	TOLERANCE UNLESS OTHERWISE SPECIFIED	MATERIAL:	
②	Amy	12/27-23'	ECNT123179/ECRB123029	ENGINEER: Sun	12/27-23'	.X ± 0.25/.010 X' ± 1'	CUSTOMER: TCL0079	
①	Sun	10/8-21'	ECNT121254	CHECKED BY: Eisley	12/27-23'	.XX ± 0.15/.006 .X' ±	DRAWING NO. CI1609SC PART NO. CI16**M1HRA-NH	
SYM	NAME	DATE	REVISIONS	APPROVED BY: Eisley	12/27-23'	.XXX ± 0.05/.002 .XX' ±	SCALE 6 / 1 SHEET 1 OF 2	



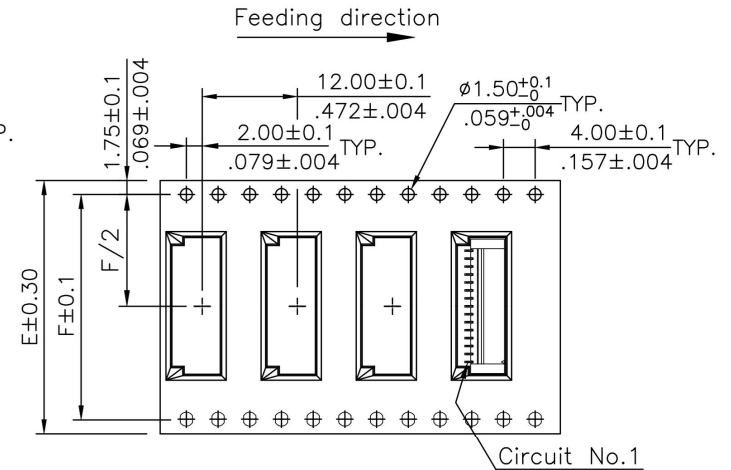
△ NOTES:

1. Reel Material : HIPS
2. 10 sprocket hole pitch cumulative tolerance ± 0.20
3. Carrier camber is within 1 mm in 250 mm.
4. Material :Transparent ps.
5. All dimensions meet EIA-481 requirements.
6. Thickness : 0.35 ± 0.05 mm.
7. Quantity : 1600 pcs.

Circuits	Dimension					Packing (Reel/Carton)
	E	F	W1	W2	W3	
2-5	16.0(.630)	—	16.5(.650)	22.5(.885)	16.5(.650)	11
6-13	24.0(.945)	—	24.5(.965)	30.5(1.200)	24.5(.965)	9
14-17	32.0(1.260)	28.4(1.118)	32.5(1.280)	38.5(1.516)	32.5(1.280)	7
18-20	44.0(1.732)	40.4(1.596)	44.5(1.752)	50.5(1.988)	44.5(1.751)	5



WIDTH : 16.24 mm Carrier



WIDTH : 32.44 mm Carrier

RoHS Compliant

SYM	NAME	DATE	REVISIONS	APPROVED BY:	DATE	UNIT: mm / inch	TITLE:	MATERIAL:	CUSTOMER:	DRAWING NO.	PART NO.	SCALE	SHEET 2 OF 2
4						mm / inch	1.00MM(.039")						
3				DRAWN BY:	Amy	12/27-23'	WIRE TO BOARD CONNECTOR						
2	Amy	12/27-23'	ECNT123179/ECRB123029	ENGINEER:	Sun	12/27-23'							
1	Sun	10/8-21'	ECNT121254	CHECKED BY:	Eisley	12/27-23'							
				APPROVED BY:	Eisley	12/27-23'			TCL0079				

X3 东莞市溪榜电子有限公司
DONG GUAN XI BANG ELECTRONICS CO., LTD.