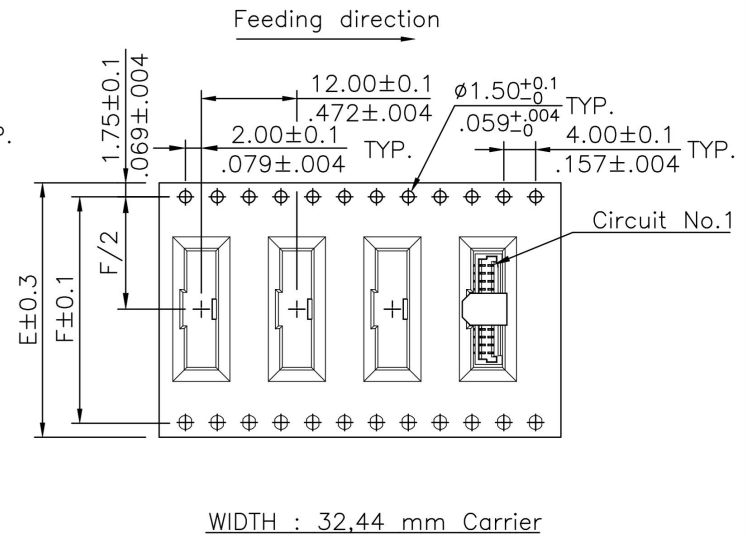
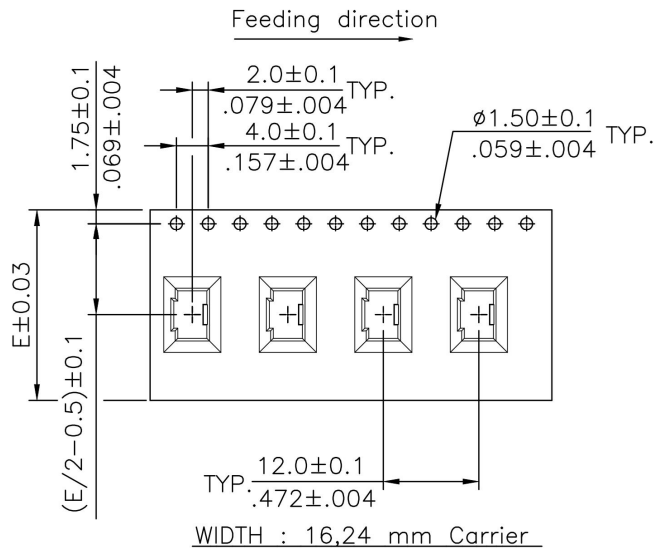
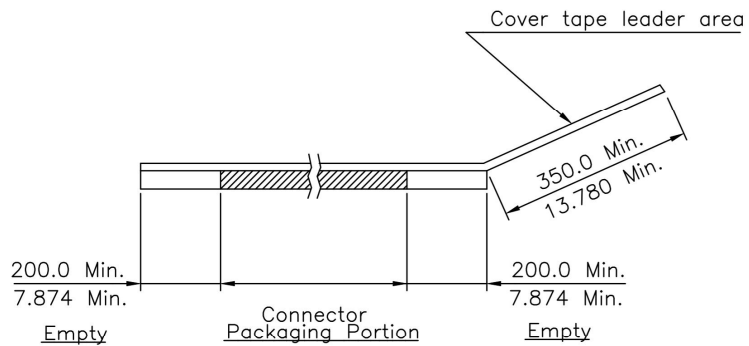


△ NOTES:

1. Reel Material : HIPS
2. 10 sprocket hole pitch cumulative tolerance ± 0.20
3. Carrier camber is within 1 mm in 250 mm.
4. Material :Transparent ps.
5. All dimensions meet EIA-481 requirements.
6. Thickness : 0.35 ± 0.05 mm.
7. Quantity : 1000 pcs.

Circuits	Dimension					Packing (Reel/Cartron)
	E	F	W1	W2	W3	
2-5	16.0(.630)	—	16.5(.650)	22.5(.885)	16.5(.650)	11
6-13	24.0(.945)	—	24.5(.965)	30.5(1.200)	24.5(.965)	9
14-17	32.0(1.260)	28.4(1.118)	32.5(1.280)	38.5(1.516)	32.5(1.280)	7
18-20	44.0(1.732)	40.4(1.596)	44.5(1.752)	50.5(1.988)	44.5(1.751)	5



RoHS Compliant

SYM	NAME	DATE	REVISIONS	APPROVED BY:	DATE	UNIT: mm / inch	TITLE:	MATERIAL:	CUSTOMER:	DRAWING NO.	PART NO.	SHEET	OF	SCALE
4					DATE	UNIT: mm / inch	TITLE: 1.00MM(.039") WIRE TO BOARD CONNECTOR							
3				DRAWN BY: Amy	12/27-23'	TOLERANCE UNLESS OTHERWISE SPECIFIED	MATERIAL:	CUSTOMER:		DRAWING NO. CI1606SB	PART NO. CI16**M1VRA-NH	SHEET 2 OF 2		
2			ENGINEER: Sun	12/27-23'	.X ±									
1	Amy	12/27-23'	ECNT123179/ECRB123029	CHECKED BY: Eisley	12/27-23'	.XX ±	.X' ±							
				APPROVED BY: Eisley	12/27-23'	.XXX ±	.XX' ±							

XB 东莞市溪榜电子有限公司
Switch Connector DONG GUAN XI BANG ELECTRONICS CO., LTD.