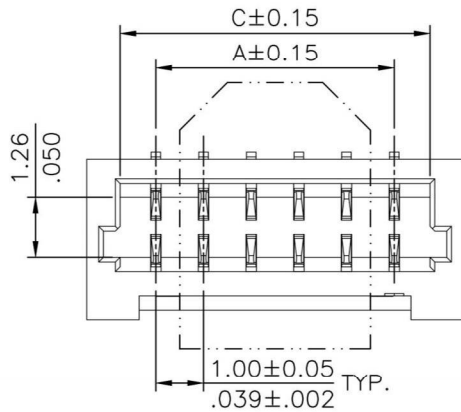
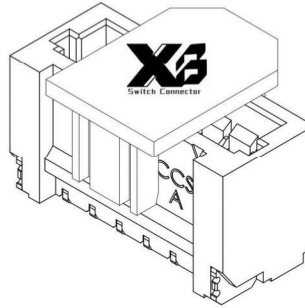


Material:

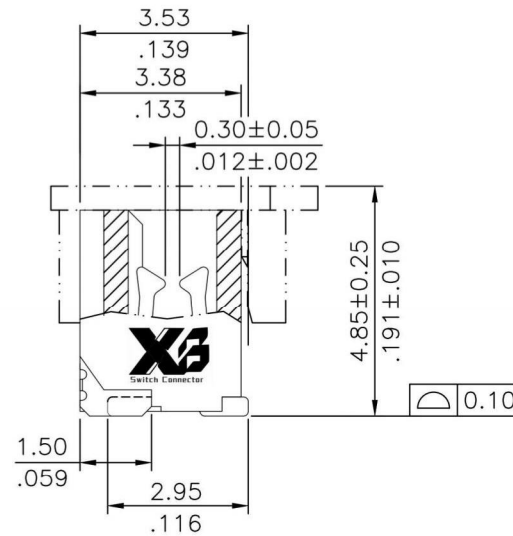
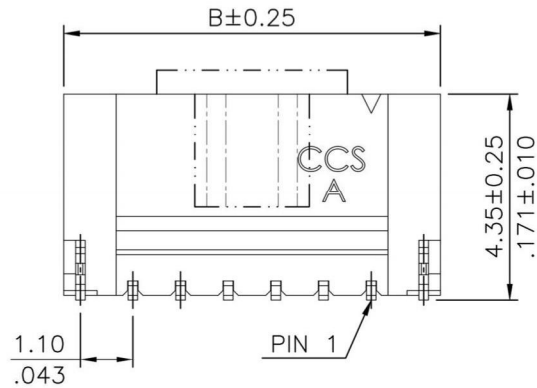
Base: High temperature plastic UL 94V-0, Color Nature

Contact: Copper alloy

Tab: Copper alloy with Matte Tin plated



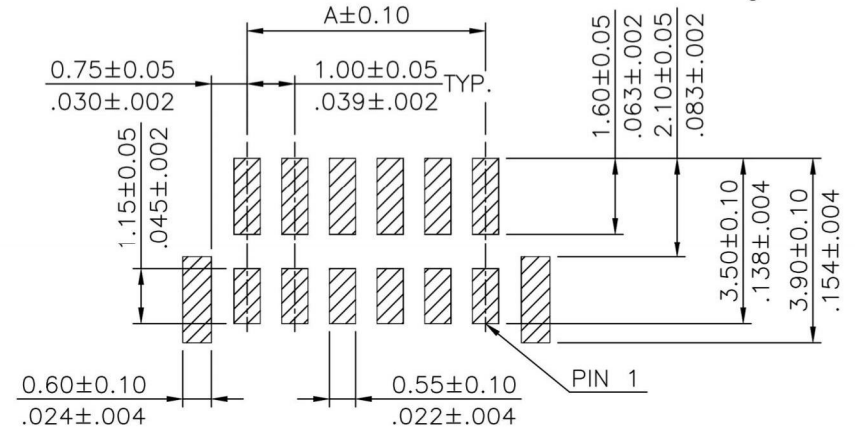
DIM. A = 1.00 x NO. OF SPACES  
 DIM. B = DIM. A + 2.90  
 DIM. C = DIM. A + 1.50  
 \* AVAILABLE IN 2 THROUGH 20



Ordering Code:

CI16 \*\* M \* V R 0 - NH  
 ① ② ③ ④ ⑤ ⑥ ⑦ ⑧

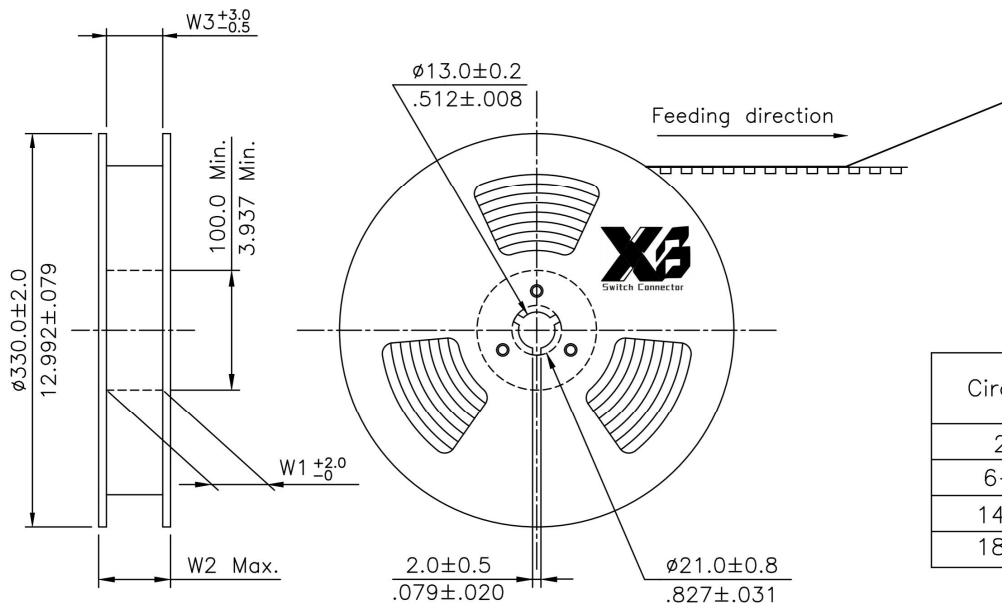
- ① Series No.
- ② No. of Circuits: 02~20 Pin
- ③ M= SMI type header
- ④ Plating: 1= 3.05μm(120μ") ~ 4.88μm(192μ")  
 Matte Tin over 1.27um(50μ") Nickel  
 △ 2= 0.02μm(0.8μ") Gold Plated over  
 over 1.27μm(50μ") Nickel
- ⑤ Type: V= Vertical Type
- ⑥ Packing Options: R= Tape & Reel packing
- ⑦ Option: 0= Standard
- ⑧ Other option:  
 -NH= For Lead Free IR Processes and Halogen-Free



Recommended P.C. Board Layout

Halogen-Free    Lead Free Process    RoHS Compliant

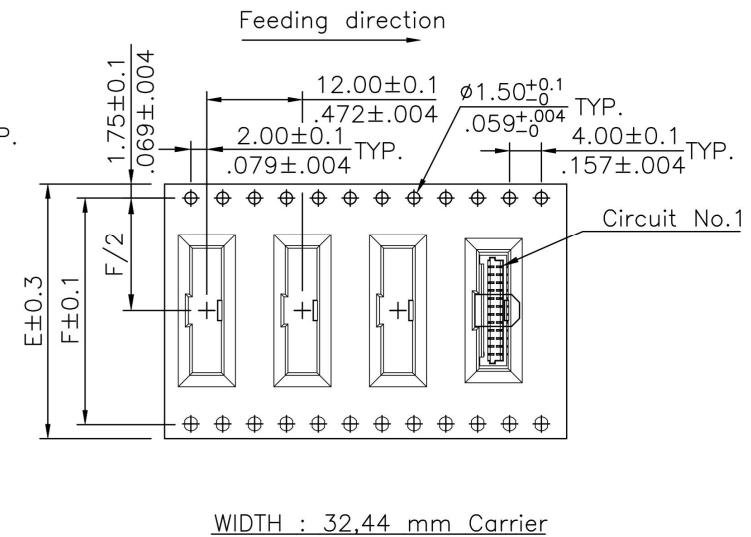
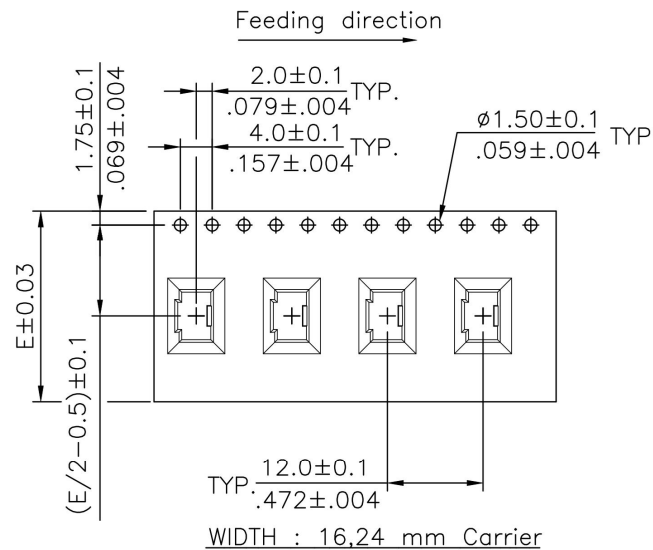
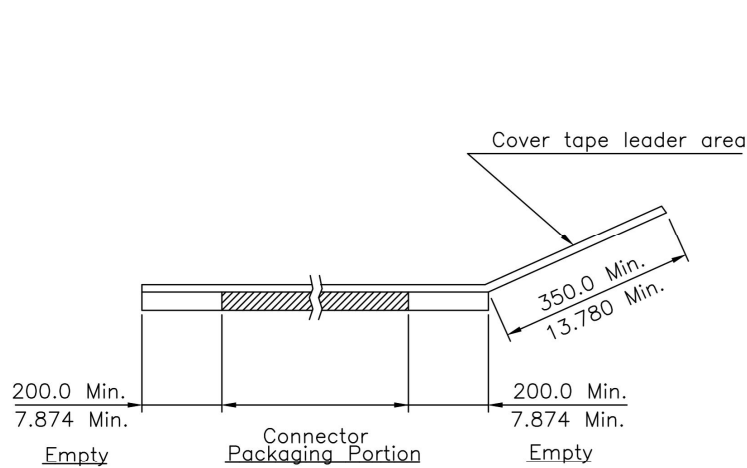
④					DATE	UNIT: mm / inch	TITLE: 1.00MM(.039") WIRE TO BOARD CONNECTOR	<b>东莞市溪榜电子有限公司</b> DONG GUAN XI BANG ELECTRONI CS CO., LTD.
③				DRAWN BY: Amy	12/27-23'	TOLERANCE UNLESS OTHERWISE SPECIFIED	MATERIAL:	
②	Amy	12/27-23'	ECNT123179/ECRB123029	ENGINEER: Sun	12/27-23'	.X ± 0.25/.010    X.* ± 1'	FINISH:	DRAWING NO. CI1604SC    PART NO. CI16**M*VRO-NH
①	Sun	11/14-20'	ECNT120302	CHECKED BY: Eisley	12/27-23'	.XX ± 0.15/.006    .X* ±		SCALE 6 / 1    SHEET 1 OF 2
SYM	NAME	DATE	REVISIONS	APPROVED BY: Eisley	12/27-23'	.XXX ± 0.05/.002    .XX* ±		



NOTES:

1. Reel Material : HIPS
2. 10 sprocket hole pitch cumulative tolerance  $\pm 0.20$
3. Carrier camber is within 1 mm in 250 mm.
4. Material : Transparent ps.
5. All dimensions meet EIA-481 requirements.
6. Thickness :  $0.35 \pm 0.05$  mm.
7. Quantity : 1000 pcs.

Circuits	Dimension					Packing (Reel/Carton)
	E	F	W1	W2	W3	
2-5	16.0(.630)	—	16.5(.650)	22.5(.885)	16.5(.650)	11
6-13	24.0(.945)	—	24.5(.965)	30.5(1.200)	24.5(.965)	9
14-17	32.0(1.260)	28.4(1.118)	32.5(1.280)	38.5(1.516)	32.5(1.280)	7
18-20	44.0(1.732)	40.4(1.596)	44.5(1.752)	50.5(1.988)	44.5(1.751)	5



RoHS Compliant

SYM	NAME	DATE	REVISIONS	APPROVED BY:	DATE	UNIT: mm / inch	TITLE: 1.00MM(.039") WIRE TO BOARD CONNECTOR	MATERIAL:	CUSTOMER:	DRAWING NO.	C11604SC	PART NO.	C116**M*VR0-NH	SCALE	SHEET 2 OF 2
4					DATE	UNIT: mm / inch	TITLE: 1.00MM(.039") WIRE TO BOARD CONNECTOR	MATERIAL:	CUSTOMER:	DRAWING NO.	C11604SC	PART NO.	C116**M*VR0-NH	SCALE	SHEET 2 OF 2
3				DRAWN BY:	Amy	12/27-23'	TOLERANCE UNLESS OTHERWISE SPECIFIED								
2	Amy	12/27-23'	ECNT123179/ECRB123029	ENGINEER:	Sun	12/27-23'	.X ±	X' ± 1'							
1	Sun	11/14-20'	ECNT120302	CHECKED BY:	Eisley	12/27-23'	.XX ±	.X' ±							
				APPROVED BY:	Eisley	12/27-23'	.XXX ±	.XX' ±							

**XB** 东莞市溪榜电子有限公司  
DONG GUAN XI BANG ELECTRONICS CO., LTD.