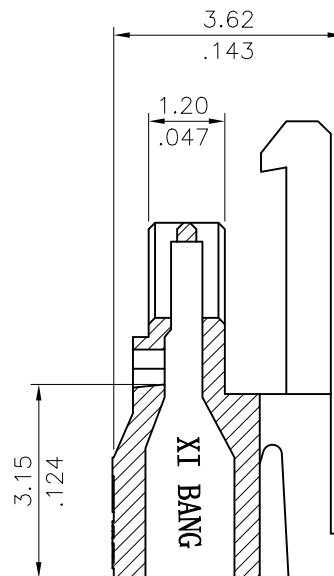
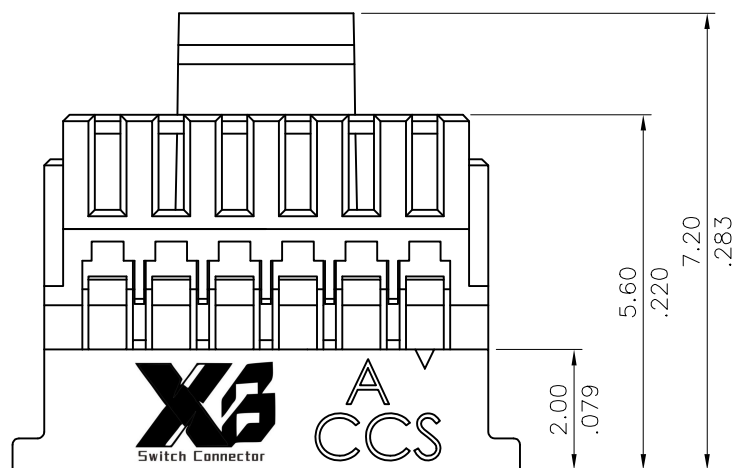


Material:
 NYLON 66 UL 94V-0,
 Color Nature

Ordering Code

CI16 ** S L000 - NH
 ① ② ③ ④ ⑤

- ① Series No.
- ② No. of Circuits: 2~20 Pin
- ③ S= Connector housing
- ④ Other option:
L000= With Locking Latch
- ⑤ Other option:
-NH= Halogen-Free



DIM. A = 1.00 x NO. OF SPACES
 DIM. B = DIM. A + 2.00
 DIM. C = DIM. A + 1.50

* AVAILABLE IN 2 THROUGH 20

Halogen-Free

RoHS Compliant

④					DATE	UNIT: mm / inch	TITLE:	东莞市溪榜电子有限公司 DONG GUAN XI BANG ELECTRONI CS CO., LTD.
③				DRAWN BY:	Hank	8/28-13'	C116 SERIES HOUSING	
②				ENGINEER:	Eisley	8/29-13'	MATERIAL:	
①				CHECKED BY:	Eisley	8/29-13'	FINISH:	
SYM	NAME	DATE	REVISIONS	APPROVED BY:	David	8/30-13'		DRAWING NO. CI1602SA PART NO. CI16**SL000-NH
								SCALE 8 / 1 SHEET 1 OF 1