

Material:

Base: High temperature plastic UL 94V-0, Color Nature

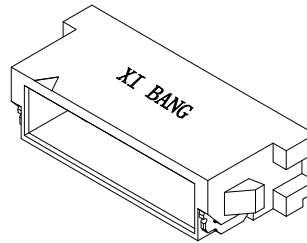
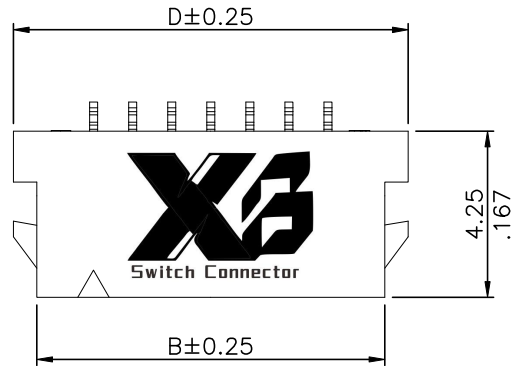
Contact: Copper alloy

Tab: Copper alloy with Matte Tin plated

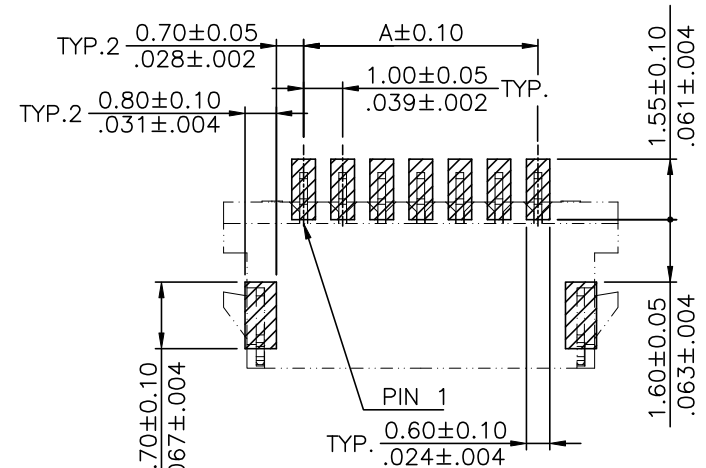
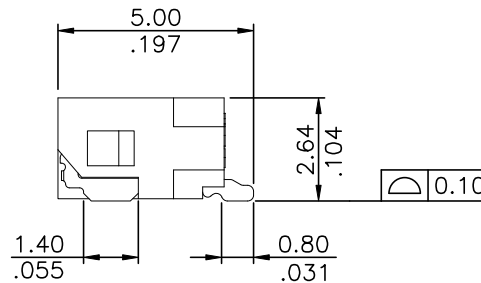
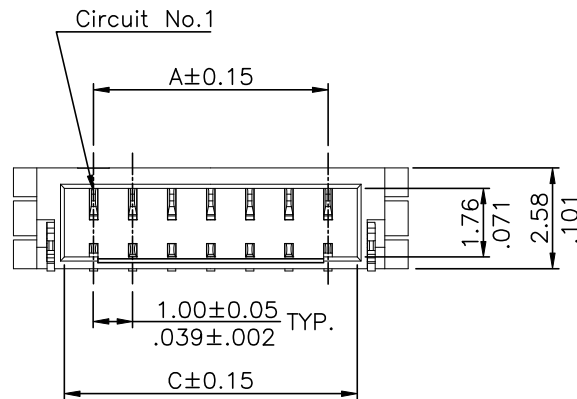
Ordering Code:

CI14 ****** M 1 H R I - NH
 ① ② ③ ④ ⑤ ⑥ ⑦ ⑧

- ① Series No.
- ② No. of Circuits: 03~20 Pin
- ③ M= SMT type header
- ④ Plating: 1= Matte Tin over Nickel
- ⑤ Type: H= Side Entry
- ⑥ Packing Options: R= Tape & Reel packing
- ⑦ Option: I = Twins Latch Type
- ⑧ Other option:
 -NH= For Lead Free IR Processes and Halogen-Free



DIM. A = 1.00 x NO. OF SPACES
 DIM. B = DIM. A + 2.90
 DIM. C = DIM. A + 1.50
 DIM. D = DIM. A + 4.10
 * AVAILABLE IN 3 THROUGH 20 CIRCUIITS



Recommended P.C. Board Layout

Halogen-Free

Lead Free Process

RoHS Compliant

④					DATE	UNIT: mm / inch
③				DRAWN BY: Jessie	10/12-23'	TOLERANCE UNLESS OTHERWISE SPECIFIED
②				ENGINEER: Sun	10/12-23'	
①	Jessie	10/12-23'	ECNT123179/ECRB123029	CHECKED BY: Eisley	10/12-23'	.X ± 0.25/.010 X: ± 1'
SYM	NAME	DATE	REVISIONS	APPROVED BY: Eisley	10/12-23'	.XX ± 0.15/.006 X: ±
						.XXX ± 0.08/.003 .XX: ±

TITLE: 1.00MM(.039")
 WIRE TO BOARD CONNECTOR

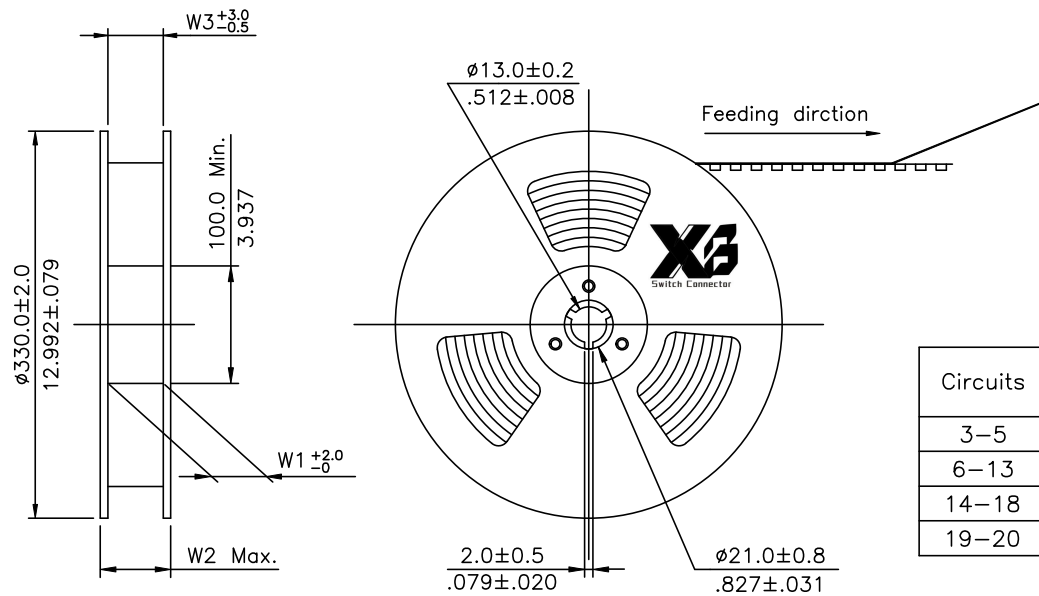
MATERIAL:

CUSTOMER:



东莞市溪榜电子有限公司
 DONG GUAN XI BANG ELECTRONI CS CO., LTD.

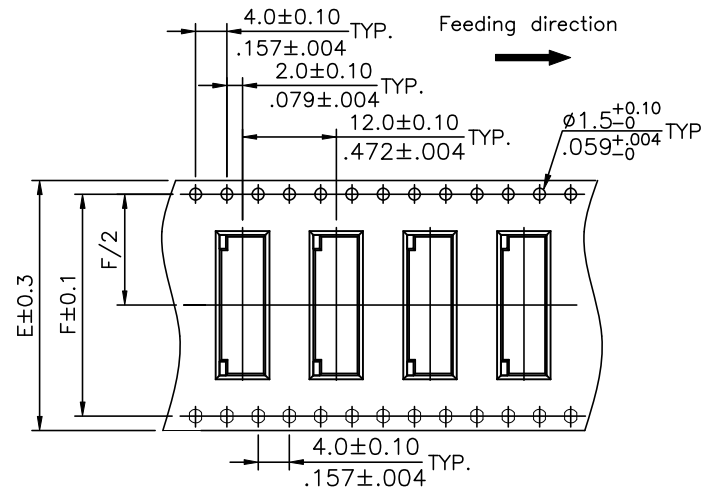
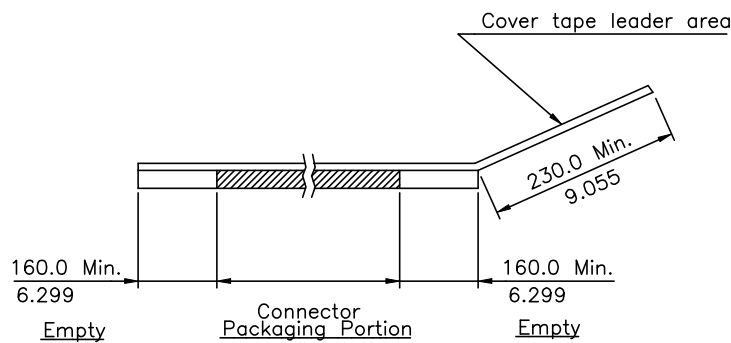
DRAWING NO.	CI1470SB	PART NO.	CI14**M1HRI-NH
SCALE	5 / 1	SHEET	1 OF 2



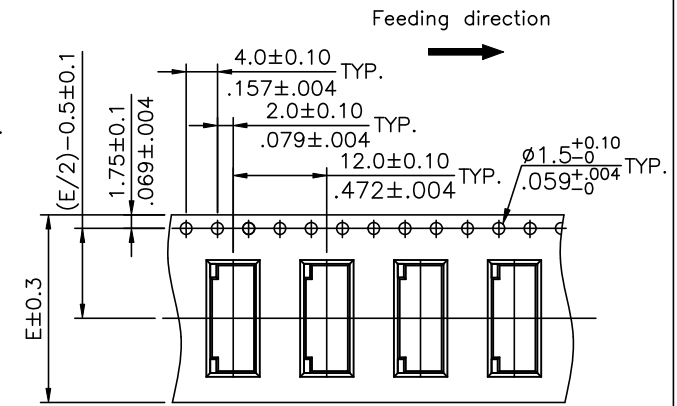
NOTE :

- ① * Reel Material : HIPS
- * Carrier Material : Clear Conductive Polystyrene Alloy
- * Cover Tape Material : Polyester
- * Cover Tape Peel Strength : 0.1N – 1.3N
- * Carrier camber is within 1mm in 100mm
- * All dimensions meet EIA-481 & EIA-481 requirements.
- * Quantity : 1800 PCS/Reel

Circuits	Dimension					Packing (Reel/Carton)
	E	F	W1	W2	W3	
3-5	16.0(.630)	-	16.5(.650)	22.5(.886)	16.5(.650)	11
6-13	24.0(.945)	-	24.5(.965)	30.5(1.201)	24.5(.965)	9
14-18	32.0(1.260)	28.40(1.118)	32.5(1.280)	38.5(1.516)	32.5(1.280)	7
19-20	44.0(1.732)	40.40(1.591)	44.5(1.752)	50.5(1.988)	44.5(1.752)	5



WIDTH : 32,44 mm Carrier



WIDTH : 16,24 mm Carrier

RoHS Compliant

SYM	NAME	DATE	REVISIONS	APPROVED BY:	Eisley	10/12-23'	UNIT: mm / inch	TITLE: 1.00MM(.039") WIRE TO BOARD CONNECTOR	MATERIAL:	FINISH:	DRAWING NO.	CI1470SB	PART NO.	CI14**M1HRI-NH	SHEET	2	OF	2
④																		
③				DRAWN BY:	Jessie	10/12-23'	TOLERANCE UNLESS OTHERWISE SPECIFIED											
②				ENGINEER:	Sun	10/12-23'	.X ±	X' ± 1'										
①				CHECKED BY:	Eisley	10/12-23'	.XX ±	.X' ±										
				APPROVED BY:	Eisley	10/12-23'	.XXX ±	.XX' ±										



东莞市溪榜电子有限公司
DONG GUAN XI BANG ELECTRONICS CO., LTD.