

Material:

Base: High temperature plastic UL 94V-0, Color Nature

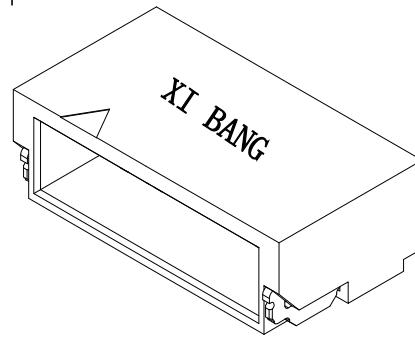
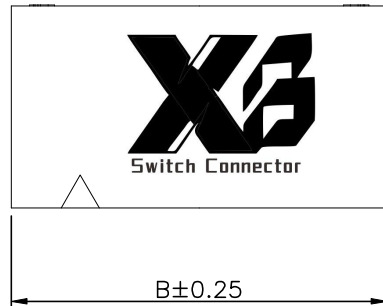
Contact: Copper alloy

Tab: Copper alloy with Matte Tin plated

Ordering Code:

CI14 ^① ****** ^② **M** ^③ **1** ^④ **H** ^⑤ **R** ^⑥ **C** - ^⑦ **NH** ^⑧

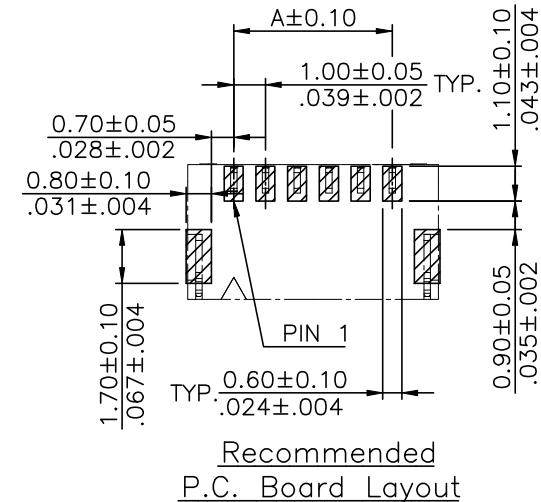
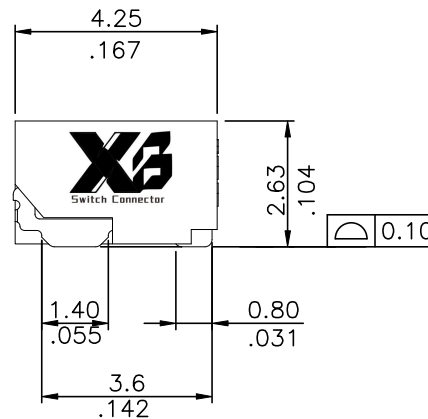
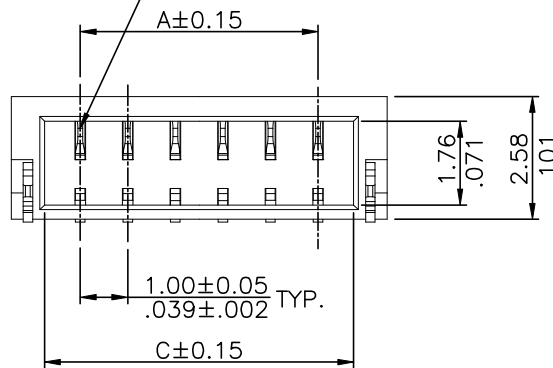
- ① Series No.
- ② No. of Circuits: 02 ~ 20 Pin
- ③ M= SMT type header
- △④ Plating: 1= Matte Tin Plating over Nickel
- ⑤ Type: H= Side Entry
- ⑥ Packing Options: R= Tape & Reel packing
- ⑦ Option: C= Amend Shorten Type
- ⑧ Other option:
-NH= For Lead Free IR Processes and Halogen-Free




DIM. A = 1.00 x NO. OF SPACES
 DIM. B = DIM. A + 2.90
 DIM. C = DIM. A + 1.50

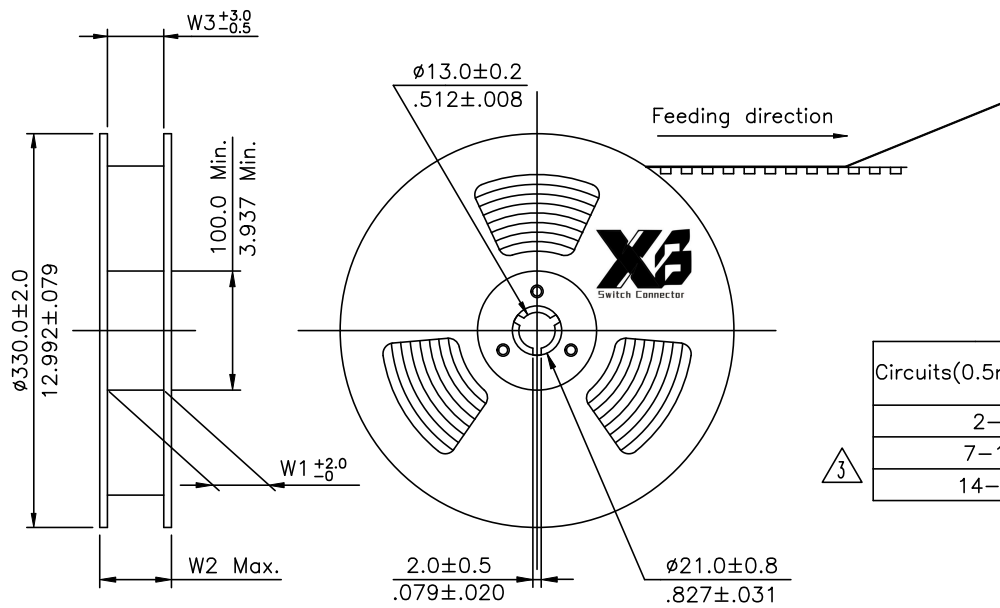
△② * AVAILABLE IN 2 THROUGH 20

Circuit No.1



Halogen-Free Lead Free Process RoHS compliant

④	Amy	12/11-23'	ECNT123179/ECRB123029		DATE	UNIT: mm / inch	TITLE: 1.00MM(.039") WIRE TO BOARD CONNECTOR	 东莞市溪榜电子有限公司 DONG GUAN XI BANG ELECTRONI CS CO., LTD.
③	Ellie	6/3-15'	ECNT115129/ECRH115027	DRAWN BY:	Amy	12/11-23'	MATERIAL:	
②	Sandy	2/7-12'	ECN12019	ENGINEER:	Sun	12/11-23'	CUSTOMER:	DRAWING NO. CI1429SD PART NO. CI14**M1HRC-NH
①	Tim	9/30-10'	ECN10327-0	CHECKED BY:	Eisley	12/11-23'	SCALE 6 / 1	SHEET 1 OF 2
SYM	NAME	DATE	REVISIONS	APPROVED BY:	Eisley	12/11-23'		

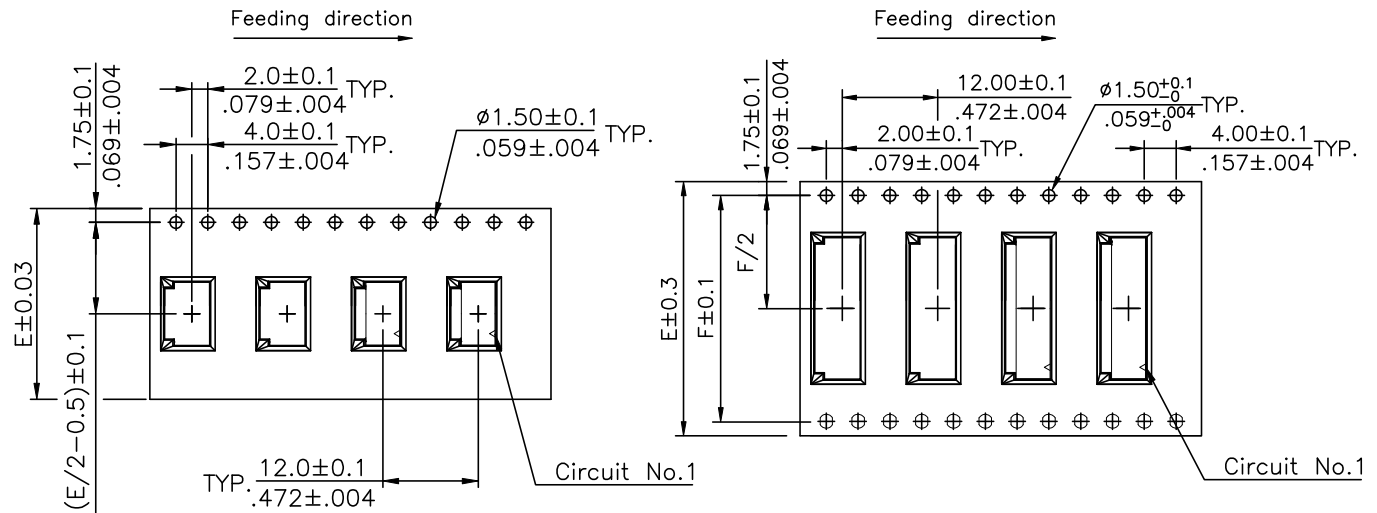
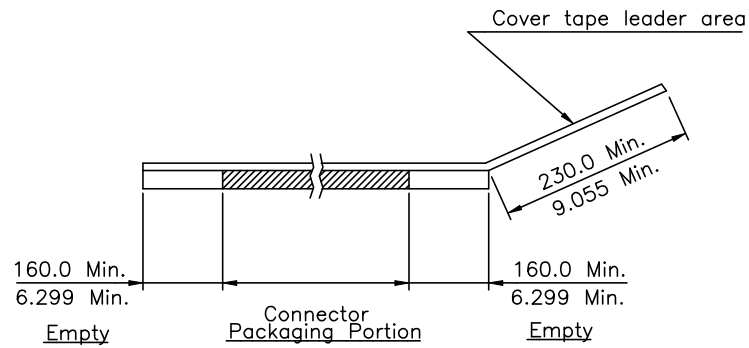


NOTES:

1. Reel Material : HIPS
2. 10 sprocket hole pitch cumulative tolerance ± 0.20
3. Carrier camber is within 1 mm in 250 mm.
4. Material :Transparent ps.
5. All dimensions meet EIA-481 requirements.
6. Thickness : 0.35 ± 0.05 mm.
7. Quantity : 1800 pcs.

3

Circuits(0.5mm Pitch)	Dimension					Packing (Reel/Carton)
	E	F	W1	W2	W3	
2-6	16.0(.630)	—	16.5(.650)	22.5(.885)	16.5(.650)	11
7-13	24.0(.945)	—	24.5(.965)	30.5(1.200)	24.5(.965)	9
14-20	32.0(1.260)	28.40(1.118)	32.5(1.280)	38.5(1.516)	32.5(1.280)	7



WIDTH : 16,24 mm Carrier

WIDTH : 32 mm Carrier

RoHS Compliant

SYM	NAME	DATE	REVISIONS	APPROVED BY:	DATE	UNIT: mm / inch	TITLE: 1.00MM(.039") WIRE TO BOARD CONNECTOR	MATERIAL:	CUSTOMER:	DRAWING NO.	PART NO.	CI14**M1HRC-NH
4	Amy	12/11-23'	ECNT123179/ECRB123029									
3	Ellie	6/3-15'	ECNT115129/ECRH115027	DRAWN BY:	Amy	12/11-23'	TOLERANCE UNLESS OTHERWISE SPECIFIED	DONG GUAN XI BANG ELECTRONICS CO., LTD.		CI1429SD		SHEET 2 OF 2
2	Sandy	2/7-12'	ECN12019	ENGINEER:	Sun	12/11-23'						
1	Tim	9/30-10'	ECN10327-0	CHECKED BY:	Eisley	12/11-23'						
				APPROVED BY:	Eisley	12/11-23'						
						.X ±	X' ± 1'					
						.XX ±	.X' ±					
						.XXX ±	.XX' ±					



东莞市溪榜电子有限公司
DONG GUAN XI BANG ELECTRONICS CO., LTD.