

Material:

Base: High temperature plastic UL 94V-0, Color Nature

Contact: Copper alloy

Tab: Copper alloy with Matte Tin plated

Ordering Code:

CI14 ** M 1 V L 0 - NH
 ① ② ③ ④ ⑤ ⑥ ⑦ ⑧

- ① Series No.
- △② No. of Circuits: 02~12,14 Pin
- ③ M= SMT type header
- △④ Plating: 1= Matte Tin Plating over Nickel
- ⑤ Type: V= Vertical Type
- ⑥ Packing Options: L= Latch Type
- ⑦ Option: 0= Standard
- ⑧ Other option:
-NH= For Lead Free IR Processes and Halogen-Free

DIM. A = 1.00 x NO. OF SPACES
 DIM. B = DIM. A + 2.70
 △ DIM. B' = DIM. A + 2.90
 DIM. C = DIM. A + 1.50
 DIM. D = DIM. A + 2.00
 DIM. E = DIM. A + 2.70

△△ * AVAILABLE IN 2 THROUGH 12,14

Halogen-Free Lead Free Process RoHS Compliant

⑥	Amy	12/11-23'	ECNT123179/ECRB123029		DATE	UNIT: mm / inch	TITLE: 1.00MM(.039")	东莞市溪榜电子有限公司 DONG GUAN XI BANG ELECTRONI CS CO., LTD.
⑤	Karen	11/24-16'	ECNT116294	DRAWN BY:	Amy	12/11-23'	WIRE TO BOARD CONNECTOR	
④	Ellie	6/3-15'	ECNT115129/ECRH115027	ENGINEER:	Sun	12/11-23'	MATERIAL:	DRAWING NO. CI1423SF PART NO. CI14**M1VLO-NH
③	Sun	10/23-14	ECNT114239	CHECKED BY:	Eisley	12/11-23'	FINISH:	
SYM	NAME	DATE	REVISIONS	APPROVED BY:	Eisley	12/11-23'		SCALE 6 / 1 SHEET 1 OF 3
						TOLERANCE UNLESS OTHERWISE SPECIFIED		
						.X ± 0.25/.010 .X' ± r'		
						.XX ± 0.15/.006 .X' ±		
						.XXX ± 0.08/.003 .XX' ±		



: Copper foil

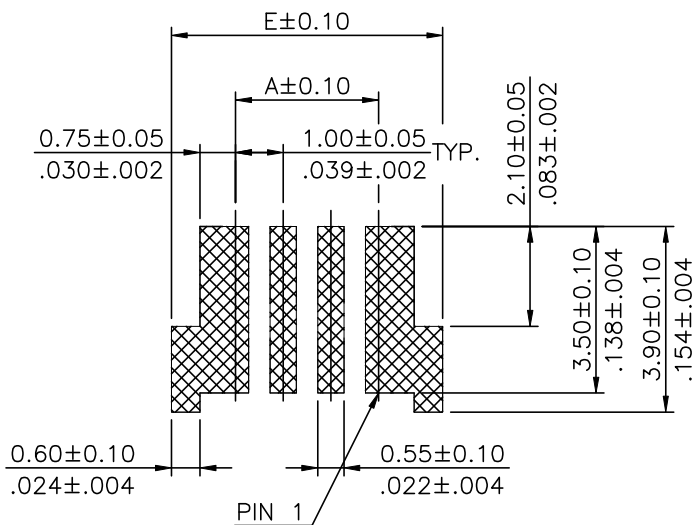


: The green paint on the copper foil

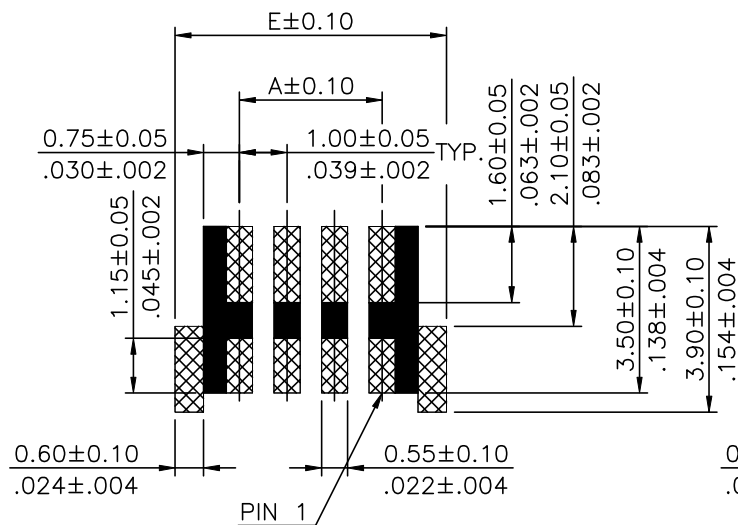


: Solder Area

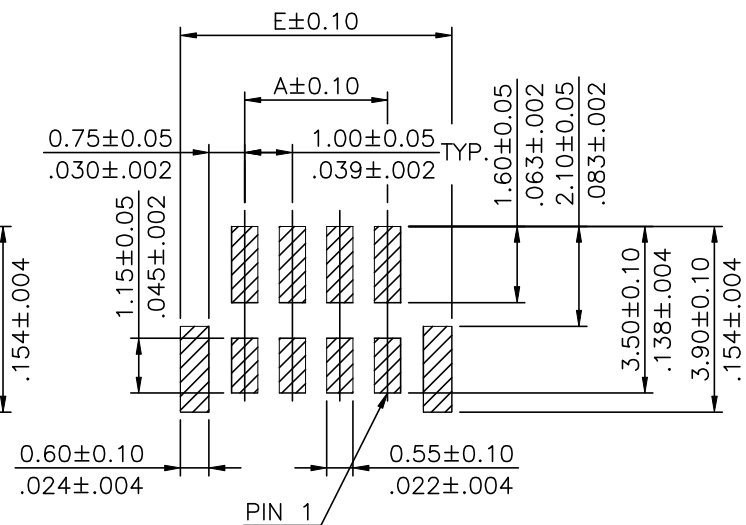
Step: 1



Step: 2




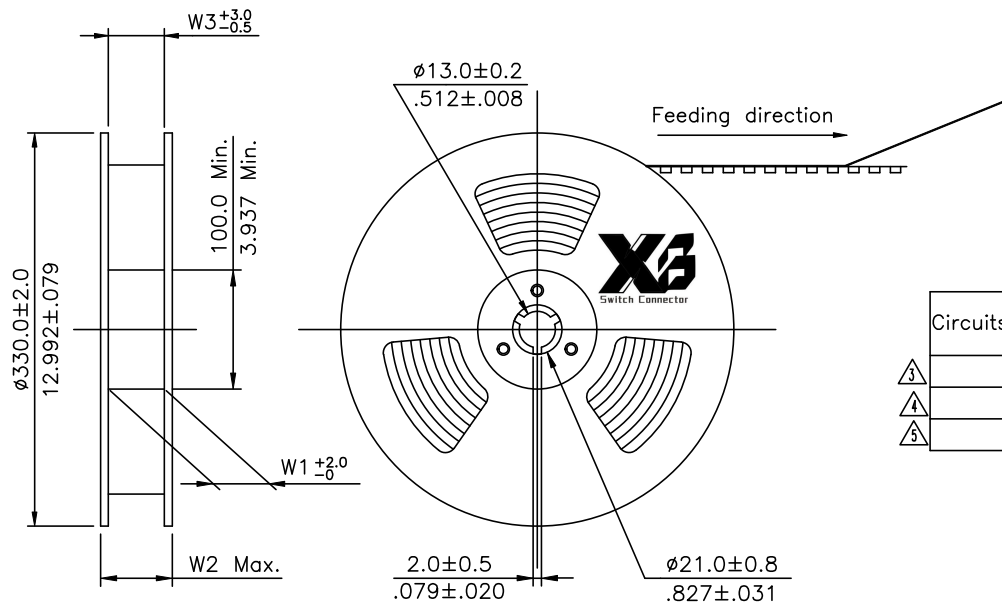
Step: 3



Recommended P.C. Board Layout

RoHS Compliant

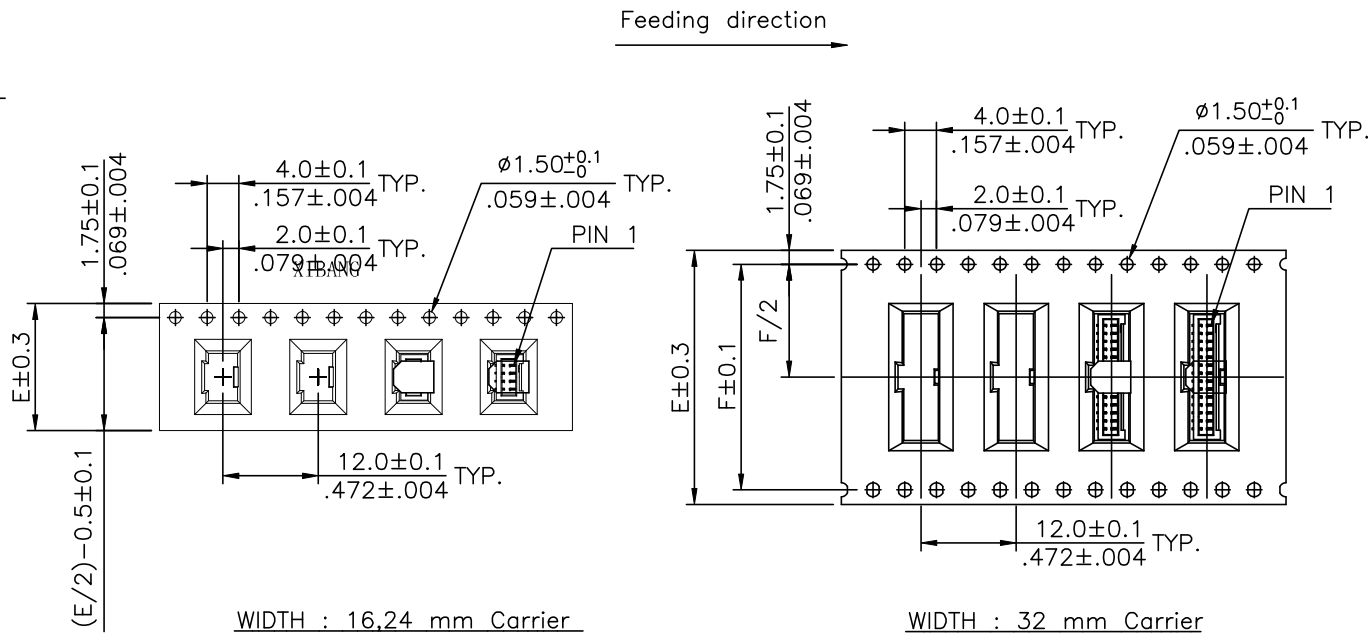
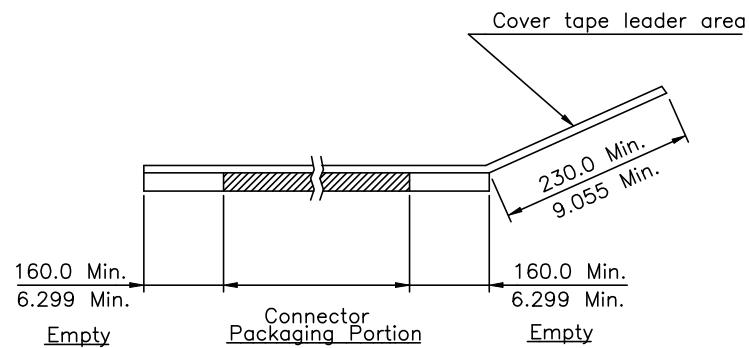
6	Amy	12/11-23'	ECNT123179/ECRB123029		DATE	UNIT: mm / inch	TITLE: 1.00MM(.039")	 东莞市溪榜电子有限公司 DONG GUAN XI BANG ELECTRONI CS CO., LTD.
5	Karen	11/24-16'	ECNT116294	DRAWN BY: Amy	12/11-23'	TOLERANCE UNLESS OTHERWISE SPECIFIED	WIRE TO BOARD CONNECTOR	
4	Ellie	6/3-15'	ECNT115129/ECRH115027	ENGINEER: Sun	12/11-23'	.X ± 0.25/.010 X' ± 1"	MATERIAL:	DRAWING NO. CI1423SF PART NO. CI14**M1VLO-NH
3	Sun	10/23-14	ECNT114239	CHECKED BY: Eisley	12/11-23'	.XX ± 0.15/.006 .X' ±	FINISH:	
SYM	NAME	DATE	REVISIONS	APPROVED BY: Eisley	12/11-23'	.XXX ± 0.08/.003 .XX' ±		SCALE 6 / 1 SHEET 2 OF 3




NOTES:

1. Reel Material : HIPS
2. 10 sprocket hole pitch cumulative tolerance ± 0.20
3. Carrier camber is within 1 mm in 250 mm.
4. Material :Transparent ps.
5. All dimensions meet EIA-481 requirements.
6. Thickness : 0.35 ± 0.05 mm.
7. Quantity : 1000 pcs.

Circuits(0.5mm Pitch)	Dimension					Packing (Reel/Carton)	
	E	F	W1	W2	W3		
3	2-5	16.0(.630)	—	16.5(.650)	22.5(.885)	16.5(.650)	11
4	6-12	24.0(.945)	—	24.5(.965)	30.5(1.200)	24.5(.965)	9
5	14	32.0(1.260)	28.40(1.118)	32.5(1.280)	38.5(1.516)	32.5(1.280)	7



RoHS Compliant

SYM	NAME	DATE	REVISIONS	APPROVED BY:	DATE	UNIT: mm / inch	TITLE: 1.00MM(.039") WIRE TO BOARD CONNECTOR	 东莞市溪榜电子有限公司 DONG GUAN XI BANG ELECTRONICS CO., LTD.
6	Amy	12/11-23	ECNT123179/ECRB123029					
5	Karen	11/24-16	ECNT116294	DRAWN BY: Amy	12/11-23	TOLERANCE UNLESS OTHERWISE SPECIFIED	MATERIAL:	SCALE SHEET 3 OF 3
4	Ellie	6/3-15	ECNT115129/ECRH115027	ENGINEER: Sun	12/11-23	.X ± X' ± 1'	FINISH:	
3	Sun	10/23-14	ECNT114239	CHECKED BY: Eisley	12/11-23	.XX ± X' ±		
				APPROVED BY: Eisley	12/11-23	.XXX ± XX' ±		